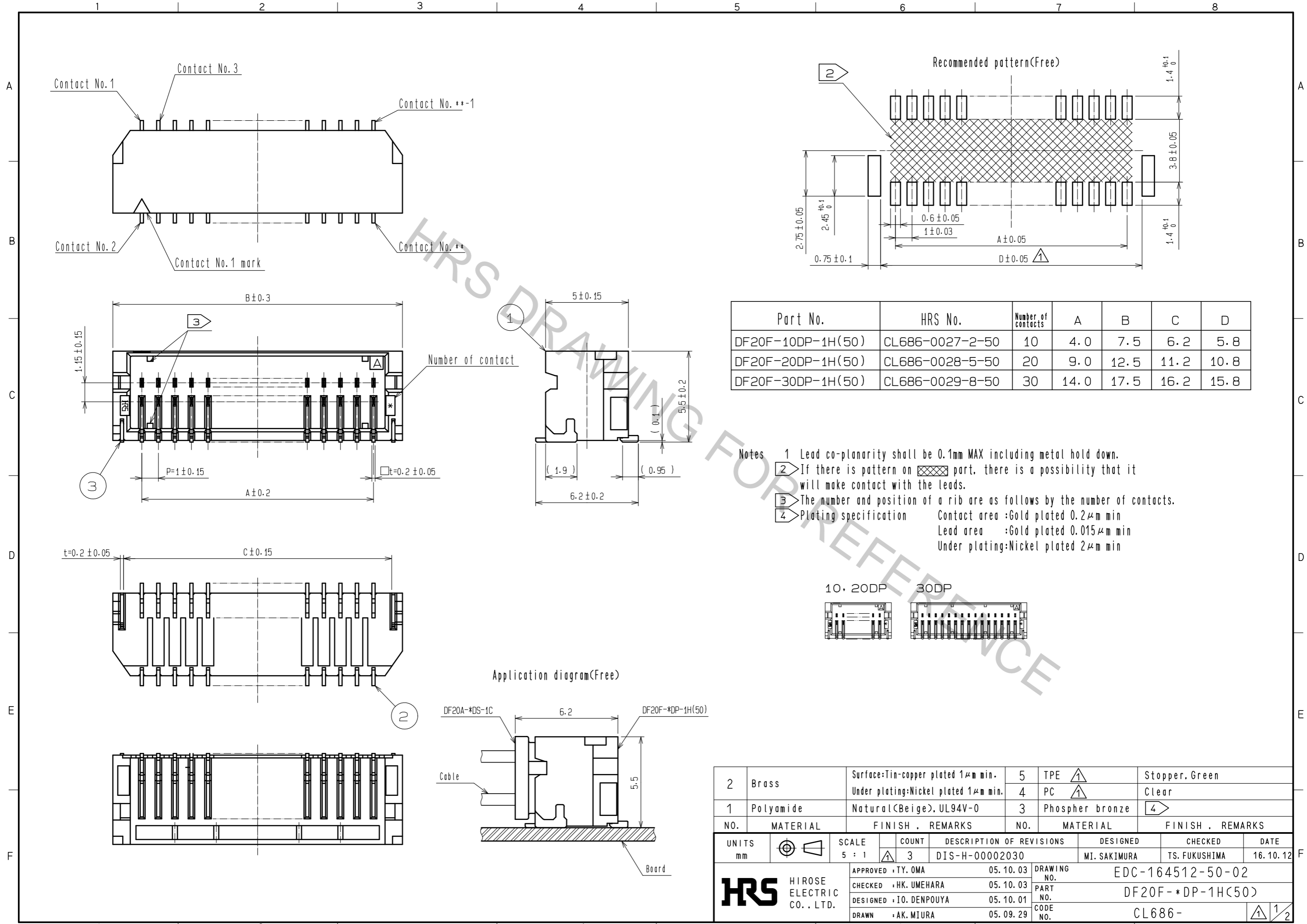
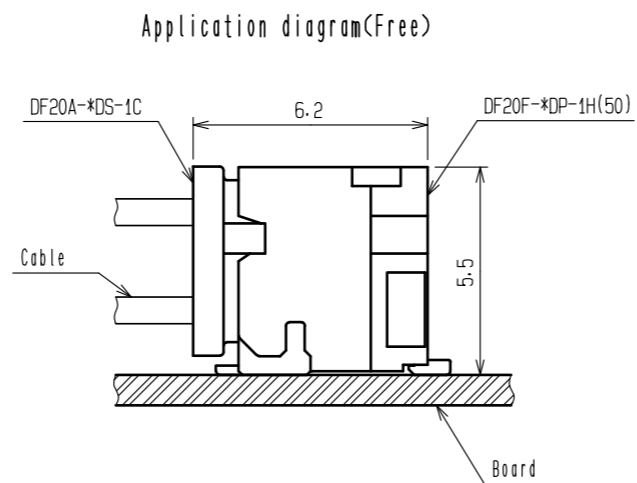
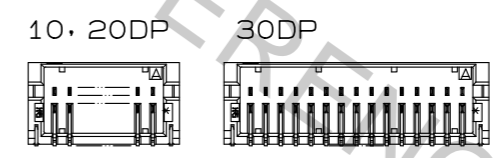


Apr.1.2017 Copyright 2017 HIROSE ELECTRIC CO., LTD. All Rights Reserved.



Part No.	HRS No.	Number of contacts	A	B	C	D
DF20F-10DP-1H(50)	CL686-0027-2-50	10	4.0	7.5	6.2	5.8
DF20F-20DP-1H(50)	CL686-0028-5-50	20	9.0	12.5	11.2	10.8
DF20F-30DP-1H(50)	CL686-0029-8-50	30	14.0	17.5	16.2	15.8

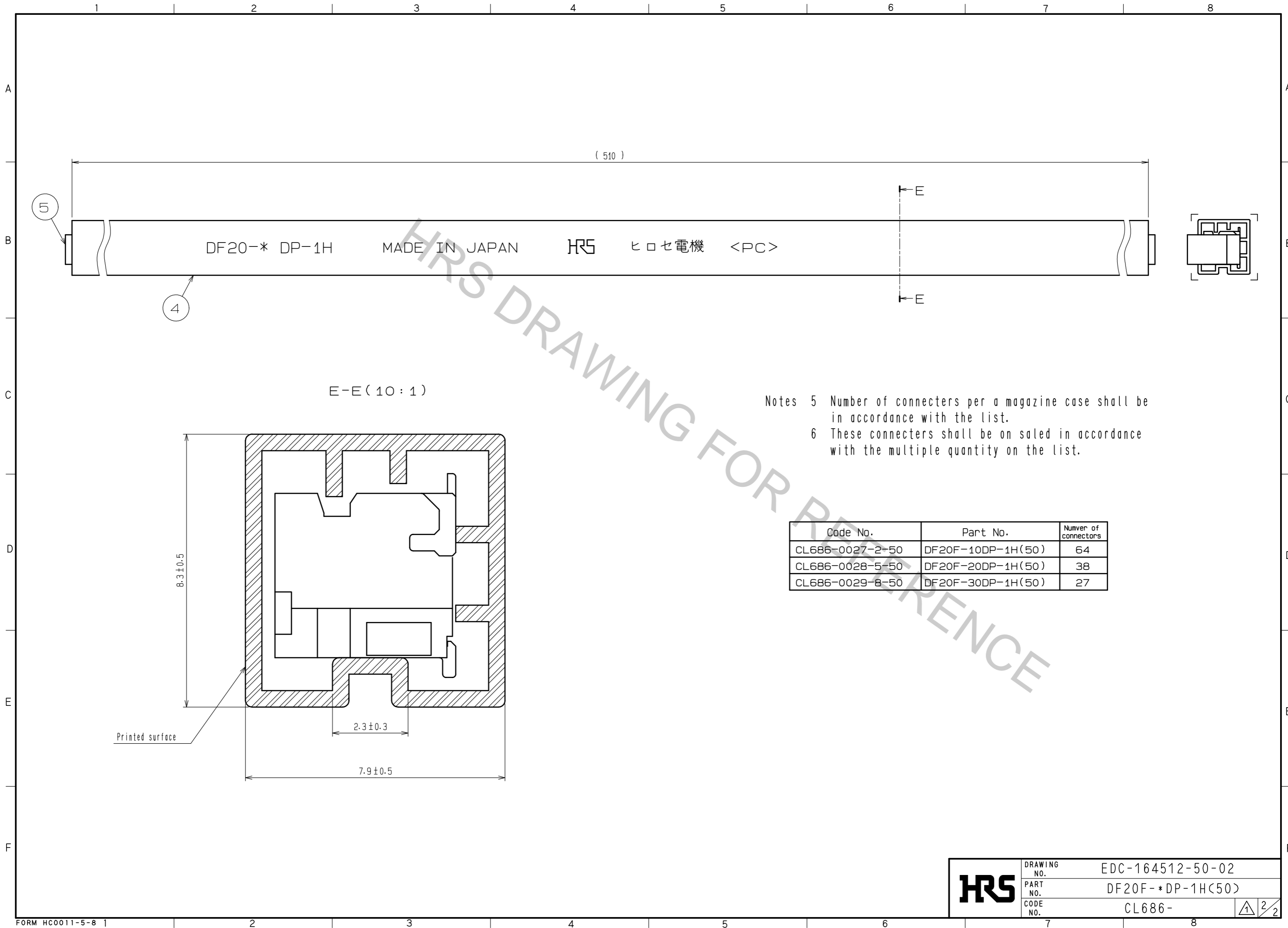
- Notes
- 1 Lead co-planarity shall be 0.1mm MAX including metal hold down.
 - 2 If there is pattern on part, there is a possibility that it will make contact with the leads.
 - 3 The number and position of a rib are as follows by the number of contacts.
 - 4 Plating specification
 Contact area : Gold plated 0.2μm min
 Lead area : Gold plated 0.015μm min
 Under plating: Nickel plated 2μm min



NO.	MATERIAL	FINISH . REMARKS	NO.	MATERIAL	FINISH . REMARKS
2	Brass	Surface: Tin-copper plated 1μm min. Under plating: Nickel plated 1μm min.	5	TPE	Stopper. Green
			4	PC	Clear
1	Polyamide	Natural(Beige). UL94V-0	3	Phospher bronze	

UNITS	SCALE	COUNT	DESCRIPTION OF REVISIONS	DESIGNED	CHECKED	DATE
mm	5 : 1	3	DIS-H-00002030	MI. SAKIMURA	TS. FUKUSHIMA	16.10.12

APPROVED : TY. OMA	05.10.03	DRAWING NO.	EDC-164512-50-02
CHECKED : HK. UMEHARA	05.10.03	PART NO.	DF20F-*DP-1H(50)
DESIGNED : IO. DENPOUYA	05.10.01	CODE NO.	CL686-
DRAWN : AK. MIURA	05.09.29		



DF20-* DP-1H MADE IN JAPAN HRS ヒロセ電機 <PC>

E-E (10 : 1)

- Notes 5 Number of connectors per a magazine case shall be in accordance with the list.
 6 These connectors shall be on saled in accordance with the multiple quantity on the list.

Code No.	Part No.	Number of connectors
CL686-0027-2-50	DF20F-10DP-1H(50)	64
CL686-0028-5-50	DF20F-20DP-1H(50)	38
CL686-0029-8-50	DF20F-30DP-1H(50)	27

HRS	DRAWING NO.	EDC-164512-50-02
	PART NO.	DF20F-*DP-1H(50)
	CODE NO.	CL686-
	2/2	