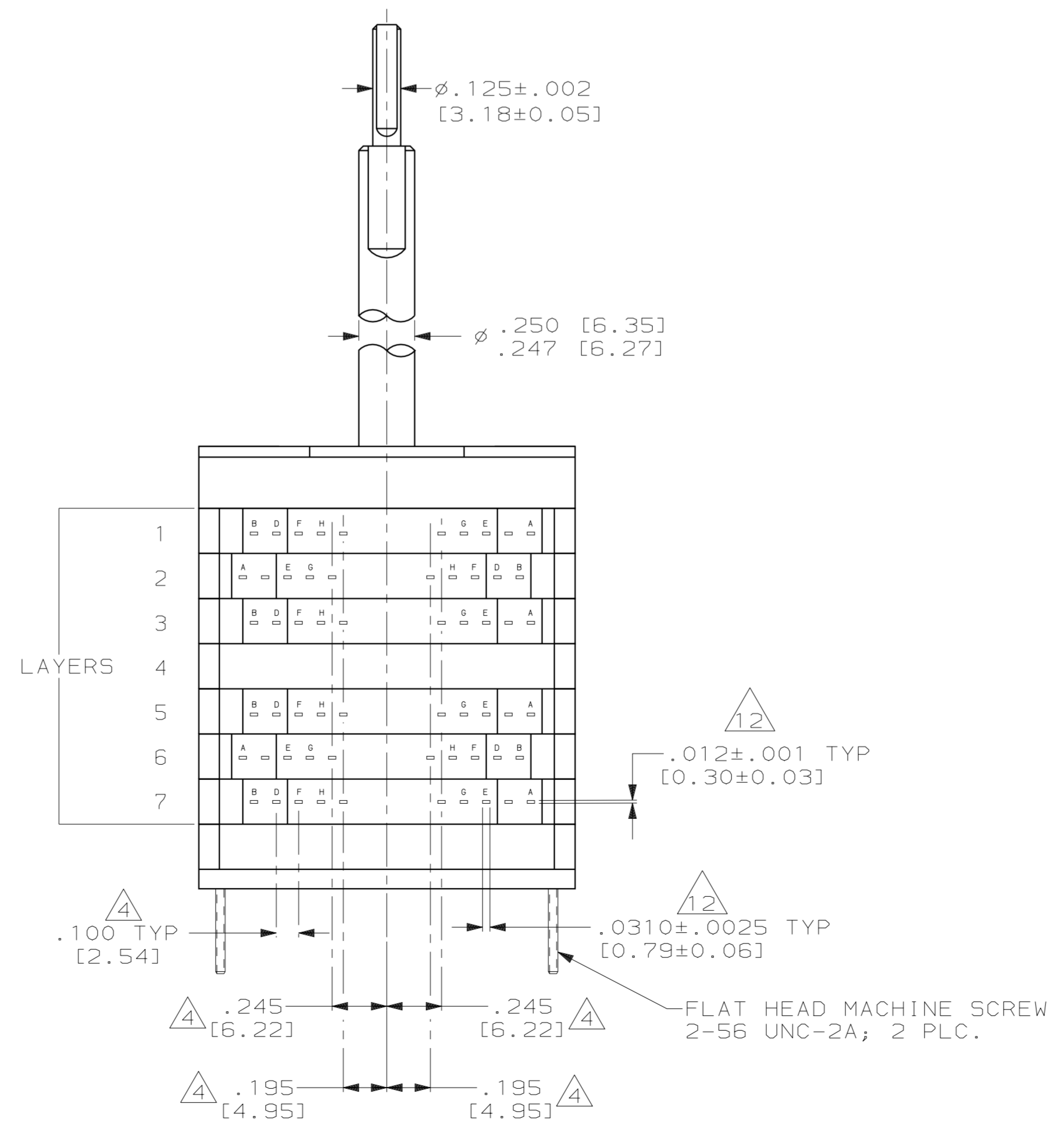
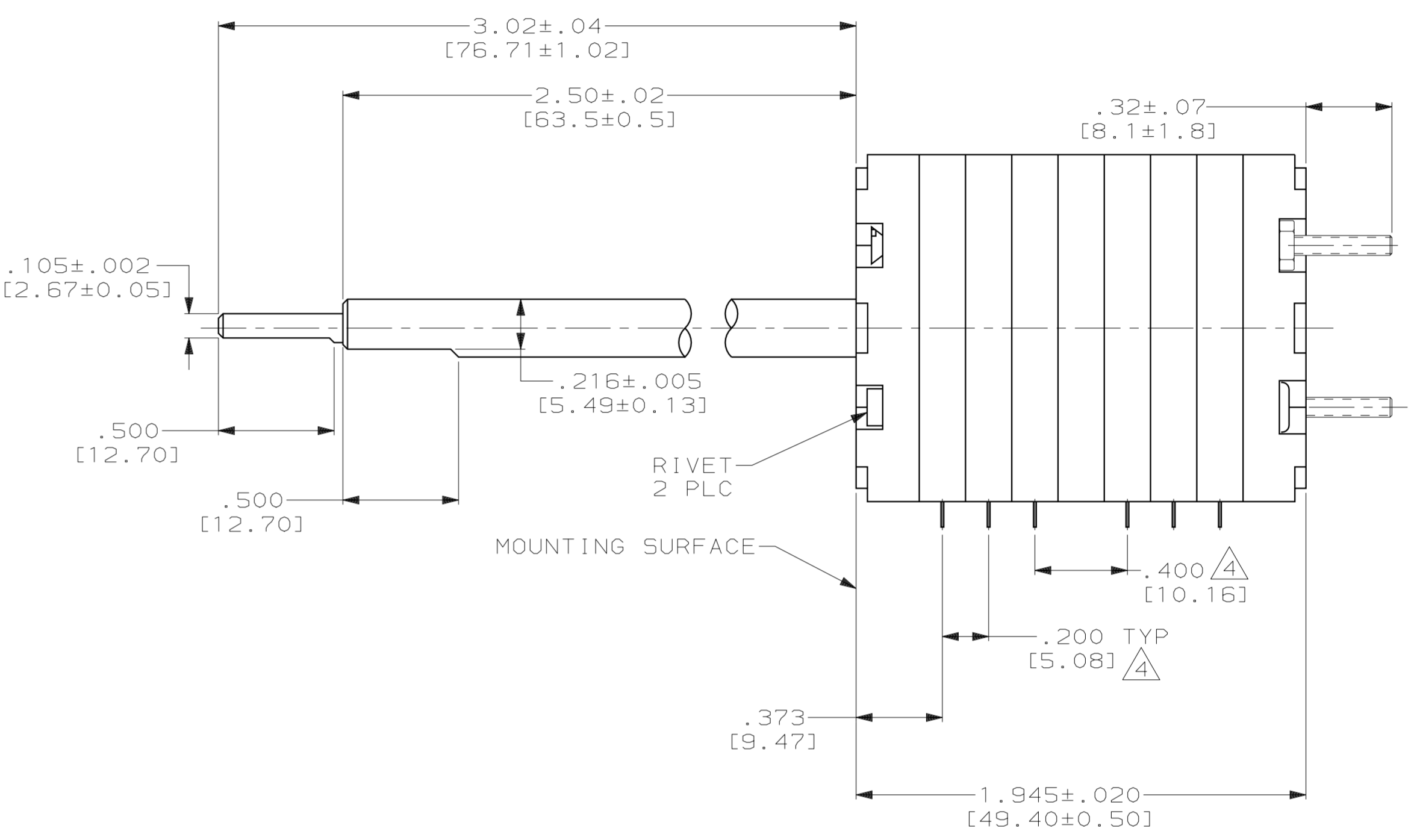
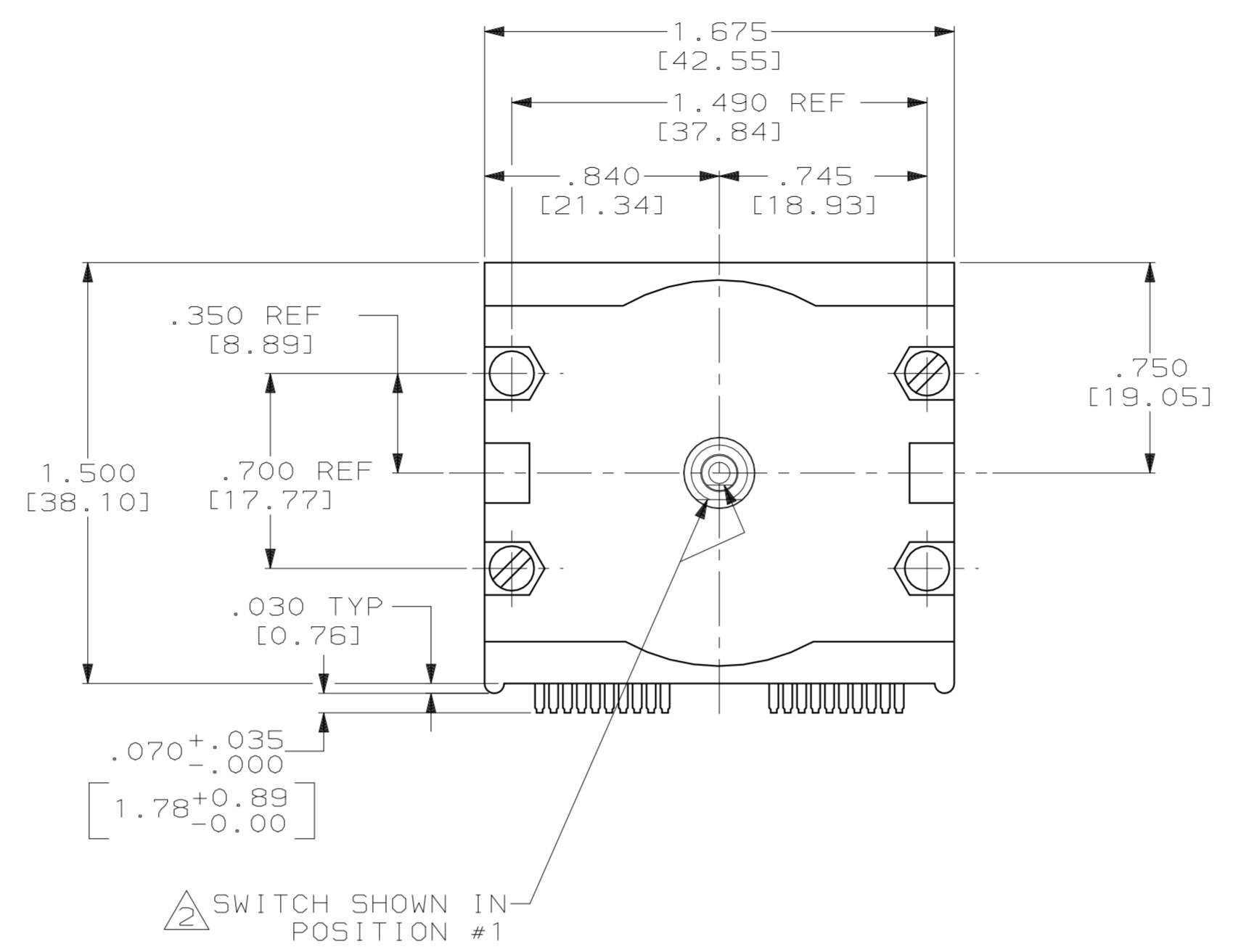
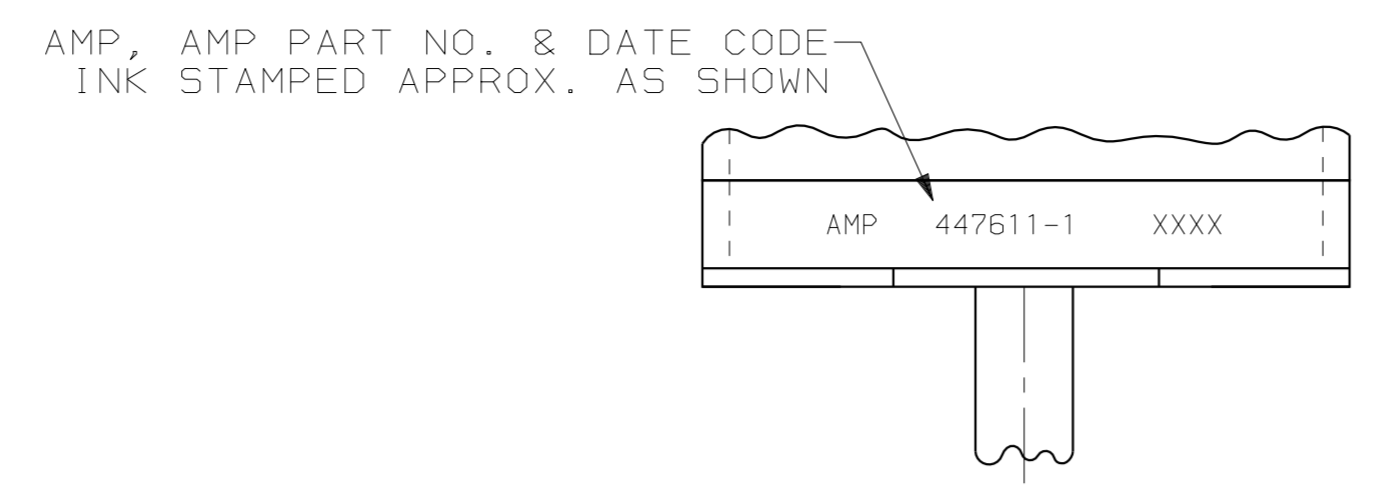


LOC		DIST		P		ZONE		LTR		REVISIONS				
DF	LO									DESCRIPTION	DATE	APPD		
										B	REV PER ECO 05-10335	CT	6-06	SG

LAYERS 1,2,3,5,6 & 7
 ● = CLOSED TO RESPECTIVE COMMON

POSN.	A	B	D	E	F	G	H
1	●	●	●	●	●	●	●
2	●	●	●	●	●	●	●
3	●	●	●	●	●	●	●
4	●	●	●	●	●	●	●
5	●	●	●	●	●	●	●
6	●	●	●	●	●	●	●
7	●	●	●	●	●	●	●
8	●	●	●	●	●	●	●
9	●	●	●	●	●	●	●
10	●	●	●	●	●	●	●
11	●	●	●	●	●	●	●
12	●	●	●	●	●	●	●
13	●	●	●	●	●	●	●
14	●	●	●	●	●	●	●
15	●	●	●	●	●	●	●
16	●	●	●	●	●	●	●
17	●	●	●	●	●	●	●
18	●	●	●	●	●	●	●
19	●	●	●	●	●	●	●
20	●	●	●	●	●	●	●



- SWITCH NOT TO BE DISASSEMBLED.
- SWITCH POSITIONS INCREASE WHEN ROTATED IN A CLOCKWISE DIRECTION.
- DO NOT MAKE ELECTRICAL CONNECTION TO ANY UNUSED PINS.
- THESE DIMENSIONS HAVE NON-CUMULATIVE TOLERANCES.
- THE TORQUE REQUIRED TO ROTATE THE PRIMARY SHAFT OR SECONDARY SHAFT SHALL NOT EXCEED THE 15 IN OZ.±5 IN. OZ. RANGE.
- FOR ADDITIONAL SPECIFICATIONS SEE AMP PRODUCT SPEC. 108-7061.
- PIN B LAYERS 1,2,3,5,6,7 IS CLOSED TO "A" COMMON 4°±1.5° BEFORE AND AFTER CENTER DETENT POSITION.
- PINS D,E,F & G LAYERS 1,2,3,5,6 & 7 ARE CLOSED TO "H" COMMON.
- CODE TRANSITION TO TAKE PLACE MIDWAY BETWEEN DETENT POSITIONS ±1.5°.
- ALL ELECTRICALLY ACTIVE PINS ARE IDENTIFIED BY LETTERS. THOSE NOT ELECTRICALLY ACTIVE ARE SHOWN, BUT NOT ACTIVE.
- SWITCH IS 100% ELECTRICAL TESTED AND INSPECTED.
- CONTACT DIMENSION DOES NOT INCLUDE CUT-OFF BURR.

DO NOT SCALE PRINT. UNLESS SPECIFIED DIMENSIONS IN INCHES [mm]		DR 1-9-91 CHUCK THOMAS		AMP Incorporated Harrisburg, PA 17105-3608	
TOLERANCES - ON :		CHK 01-21-91 S. GLATFELTER			
2 PLC DEC ± -		APPD 01-21-91 S. GLATFELTER		NAME	
3 PLC DEC ± .010 (0.25)		APPD 01-31-91 C. THOMAS		ROTARY SWITCH ASSY, 3510 SERIES, MULTI-SHAFT, 20 POSN. PRIMARY & SECONDARY, 7 LAYER	
ANGLES ± -		PRODUCT SPEC		SIZE	
MATERIAL		APPLICATION SPEC		CAGE CODE	
FINISH		WEIGHT		DRAWING NO	
				D 00779	
				447611	
				SCALE 2:1	
				SHEET 1 OF 1	

447611-1
 PART NO.