

## AMPLIMITE\* Latching Blocks

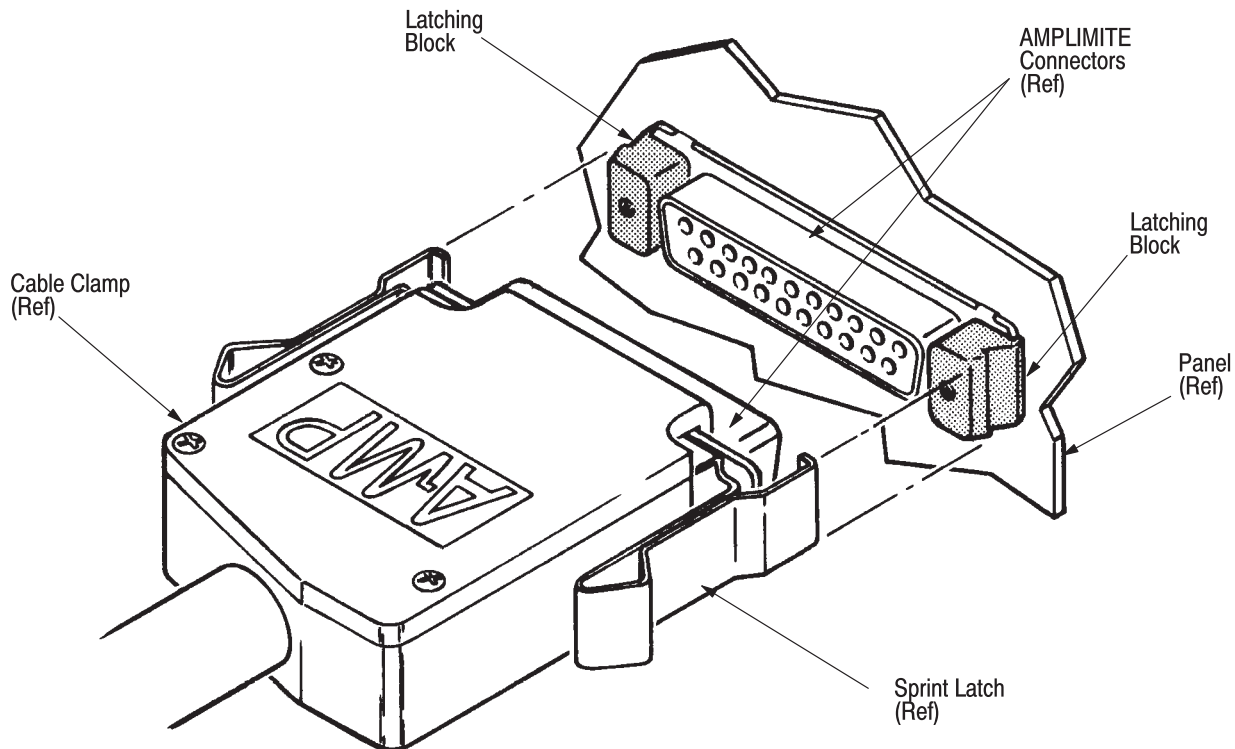


Figure 1

### 1. INTRODUCTION

This instruction sheet covers the selection and installation of Latching Blocks which are used with AMPLIMITE connectors. Read these instructions carefully before installing the latching blocks.

**NOTE**



All dimensions on this document are in metric units [with U.S. customary units in brackets]. Figures and illustrations are for identification only and are not drawn to scale.

### 2. DESCRIPTION

Latching blocks are used with spring latches to secure mated AMPLIMITE connectors (see Figure 1). The latching blocks can be used with all AMPLIMITE connectors except metal shell connectors which have floating bushings, all-plastic connectors with fixed female screwlocks, and all HDJ-20 connectors.

Latching blocks are available for two types of connector mounting configurations: front panel-mounted (see Figure 3), and rear panel-mounted (see Figure 4). The latching blocks

intended for front panel-mounted applications can also be used on free-hanging connectors and PC board-mounted connectors.

There are two types of latching blocks. One type has a threaded hole and the other type has a recessed slot and a through hole. Both types of latching blocks are available for front panel-mounted connectors and rear panel-mounted connectors.

### 3. INSTALLING LATCHING BLOCKS

#### 3.1. Front Panel-Mounted Connector (Figure 3)

**NOTE**



The following installation procedure is to be followed when installing latching blocks on a front panel-mounted connector. Latching blocks which are installed on the front of a PC board-mounted connector, or on the front of a connector used in a free-hanging application, are installed in the same manner.

1. Select the latching blocks to be used based on the connector size (see Figure 2).

CONN SIZE	CONN MOUNT	PANEL THICKNESS mm [in.]	LATCHING BLOCK			
			PART NO. †	KIT NO. ††	THREAD SIZE	SCREW LENGTH, mm [in.]
1 through 4	Front Panel, Free Hanging, PC Board	--	208101-1	5745007-1	M3	5.99 [.236]
		--	208101-8	--	4-40	4.78 [.188 in.]
		--	745286-2	--	Through Hole	--
	Rear Panel	.76 [.030]	747717-2	--	4-40	--
		1.52 [.060]	745245-2	--	Through Hole	--
			745403-8	--	4-40	--
2.29 [.090]	747080-2	--	Through Hole	--		
5	Front Panel, Free Hanging	--	1-208101-1	--	4-40	5.99 [.188 in.]
	Rear Panel	1.52 [.060]	745245-5	--	Through Hole	--

† Part Number is for pair of latching blocks, no screws.  
 †† Kits include two latching blocks and two pan head screws.

Figure 2

- If using threaded blocks, obtain two 4-40 or M3 (metric) screws of the proper length (required screws are supplied when a kit is used). If using blocks having a through hole, obtain two screws and two nuts of the appropriate size.
- Position the connector on the front of the prepared panel (if used), then place the latching block on the connector flange. See Figure 3. Refer to the instruction sheet provided with the connector for information concerning panel cutout.



*Threaded latching blocks are secured in place in a different manner than latching blocks with a through hold. Installation of threaded latching blocks is described in Step 4. Installation of latching blocks with a through hold is described in Step 5.*

- To secure a threaded latching block, insert the screw through panel, through the connector flange from back, and into the latching block.
- To secure a latching block with a through hole, insert the screw through the block, through the connector flange from the front, and through the panel, then install a nut on the screw.
- In like manner, install a latching block on the opposite end of the connector.

**3.2. Read Panel-Mounted Connector (Figure 4)**

- Select a latching block based on the connector size and thickness of the mounting panel (see Figure 2).

- If using threaded blocks, obtain two 4-40 or M3 (metric) screws of the proper length. If using blocks with a through hole, obtain two screws and two nuts of the appropriate size.
- Position the connector behind the prepared panel, then place the latching block on the front of the panel (see Figure 4). Refer to instruction sheet provided with the connector for information concerning the panel cutout and 1.02 mm [.040 in.] dia positioner required for the nib on the block.
- To secure a threaded latching block, insert the screw through the connector flange from the back of the connector, through the panel, and into the latching block.
- To secure a latching block with a through hole, insert the screw through the block, panel, and connector flange from the front of the connector, then install a nut on the screw.
- In like manner, install a latching block on the opposite end of the connector.

**4. INSTALLING SPRING LATCHES**

For instructions concerning the selection and installation of spring latches used with latching blocks, refer to Instruction Sheet 408-9130 for two-piece latches used with straight exit RFI/EMI shields, straight/90° exit two-piece cable clamps and universal cable clamps, and to Instruction Sheet 408-9131 for two-piece latches installed on post-molded strain reliefs.

**Front Panel-Mounted Connector**

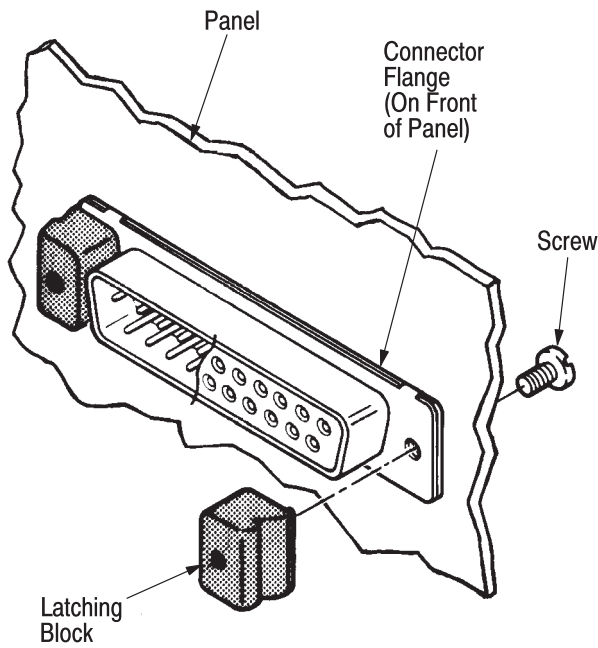


Figure 3

**Rear Panel-Mounted Connector**

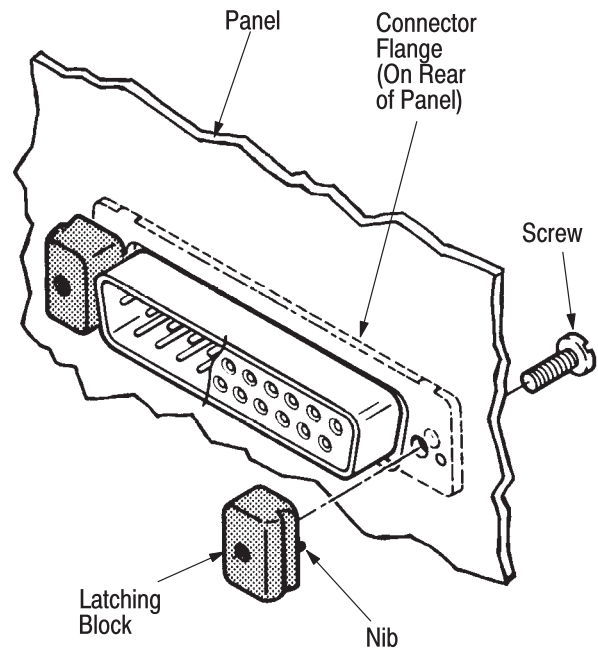


Figure 4

**5. ENGAGING CONNECTORS**

Align the connectors and push together until the spring latches snap into the groove in both latching blocks.

**6. DISENGAGING CONNECTORS**

Grasp the connector and squeeze the latches open. While holding the spring latches open, pull the connectors straight apart.

**7. REVISION SUMMARY**

Revisions to this instruction sheet include:

- Removed obsolete parts and added RoHS compliant replacement part number in Figure 2.
- Removed reference to obsolete Instruction Sheet 408-9129 in Section 4.
- Updated document format to corporate requirements.