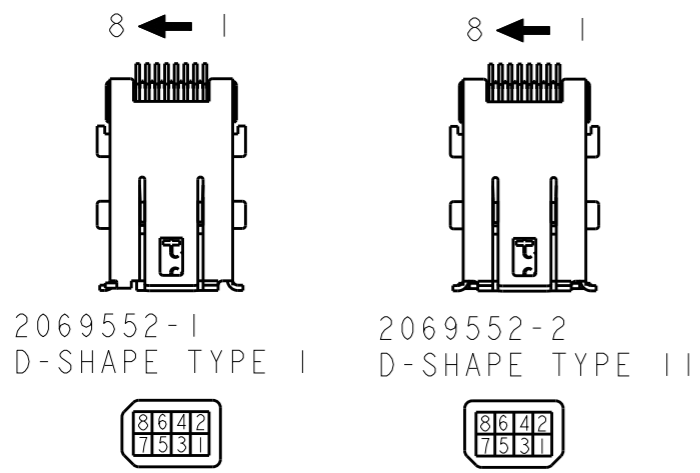


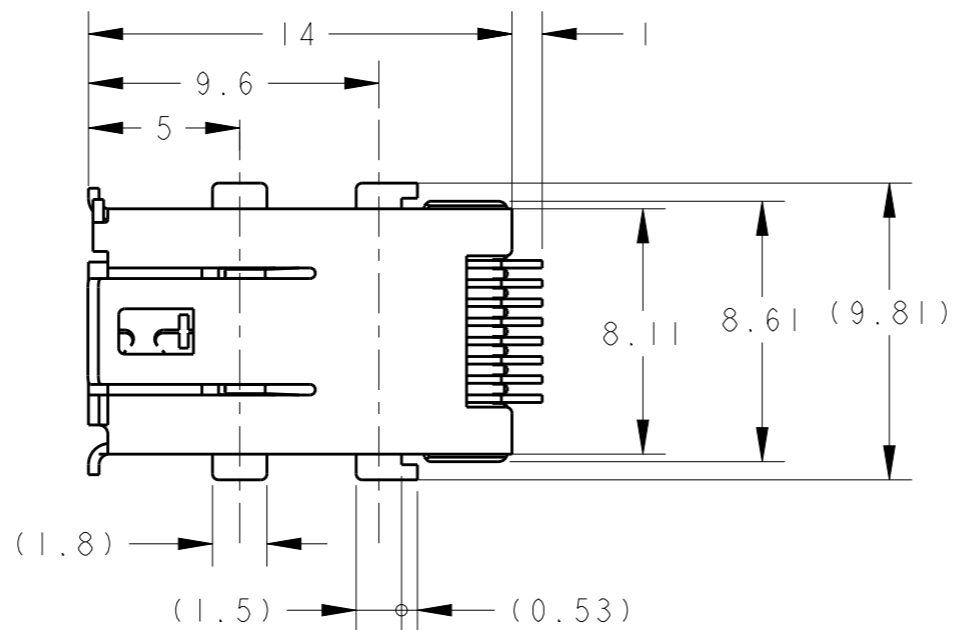
THIS DRAWING IS UNPUBLISHED. RELEASED FOR PUBLICATION
 © COPYRIGHT - BY TE CONNECTIVITY ALL RIGHTS RESERVED.

REVISIONS					
変更					
P	LTR	DESCRIPTION	DATE	DWN	APVD
	B	REVISED	28APR2014	T.S	N.Y



2069552-1 D-SHAPE TYPE I
 2069552-2 D-SHAPE TYPE II

回路番号 CIRCUIT NO. 回路番号 CIRCUIT NO.



△1材料及仕上げ
 コンタクト
 材料: 銅合金
 全面Ni 下地めっき 1.27μmMIN
 接点部: Auめっき 0.5μmMIN
 半田付け部: Auフラッシュめっき
 ハウジング
 材料: 熱可塑性樹脂
 難燃性 UL 94V-0
 シェル
 材料: 銅合金
 全面Ni 下地めっき
 全面Snめっき

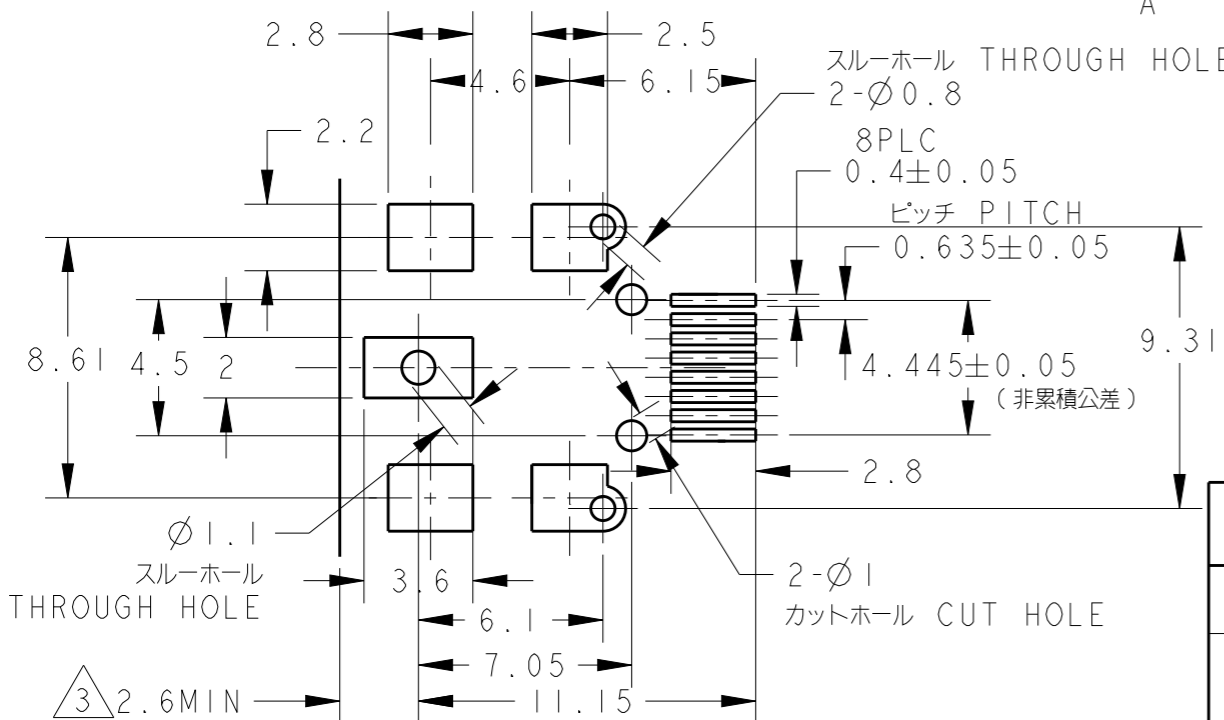
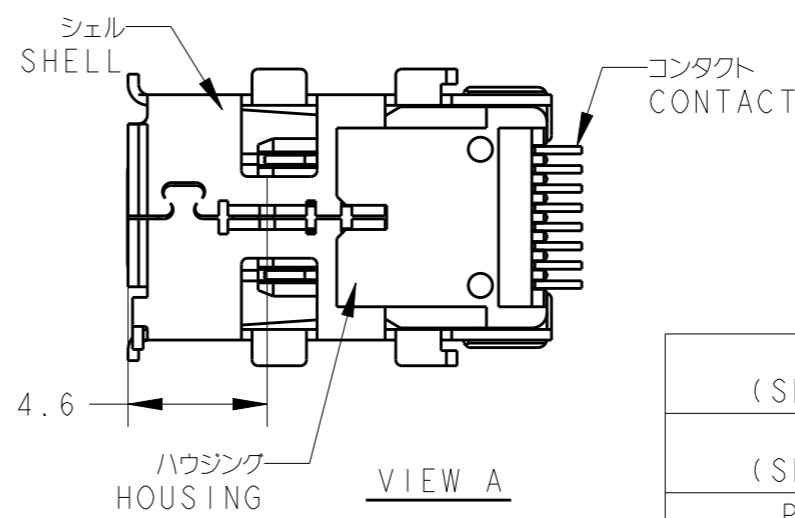
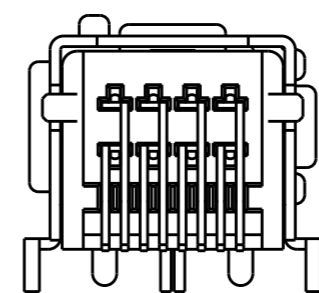
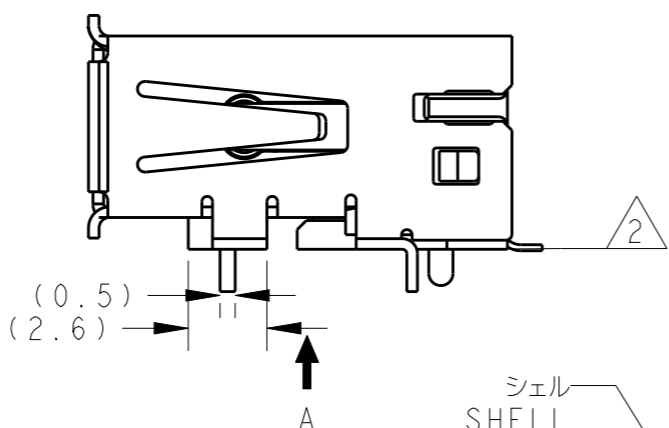
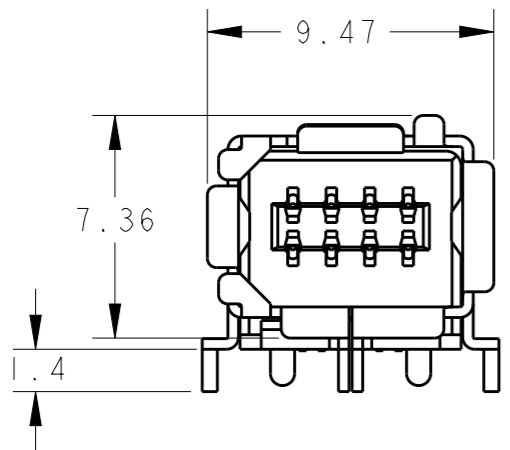
△2 SMTリード先端部の平坦度(コプラナリティー): 0.1MAX

△3 顧客決定寸法

△1 MATERIAL AND FINISH
 CONTACT
 COPPER ALLOY
 UNDER ALL SURFACE Ni 1.27μm MIN
 TOP CONTACT AREA Au 0.5μm MIN
 SOLDERING AREA Au FLASH
 HOUSING
 THERMO PLASTIC(UL94V-0)
 SHELL
 COPPER ALLOY
 UNDER ALL SURFACE Ni
 TOP ALL SURFACE Sn

△2 COPLANARITY 0.1 MAX(TOP OF LEAD)

△3 DIMENSION DECIDED BY CUSTOMER.



推奨基板寸法(実装面側) ±1.6
 RECOMMENDED BOARD DIMENSION
 (CONNECTOR SIDE) ±1.6

THIS DRAWING IS A CONTROLLED DOCUMENT.		DWN S. INOMATA 12NOV2008	TE Connectivity	
		CHK I. HASAGAWA 12NOV2008		
		APVD I. HASAGAWA 12NOV2008	NAME 名称 INDUSTRIAL MINI I/O CONN.	
		PRODUCT SPEC 108-78405	1.27MM PITCH 8P HDR ASSY	
		APPLICATION SPEC 取付適用規格	D-SHAPE TYPE I EMBOSS TAPING	
DIMENSIONS: 単位: 概 mm		TOLERANCES UNLESS OTHERWISE SPECIFIED: 一般公差 ±0.2	SIZE A3	RESTRICTED TO -
0 PLC ± 1 PLC ± 2 PLC ± 3 PLC ± 4 PLC ± ANGLES ±		FINISH 仕上	CAGE CODE -	DRAWING NO. 番号 C=2069552
MATERIAL 材料		FINISH 仕上	WEIGHT -	SCALE 尺度 4:1
			Customer Drawing	SHEET 1 OF 2
				REV B

THIS DRAWING IS UNPUBLISHED.

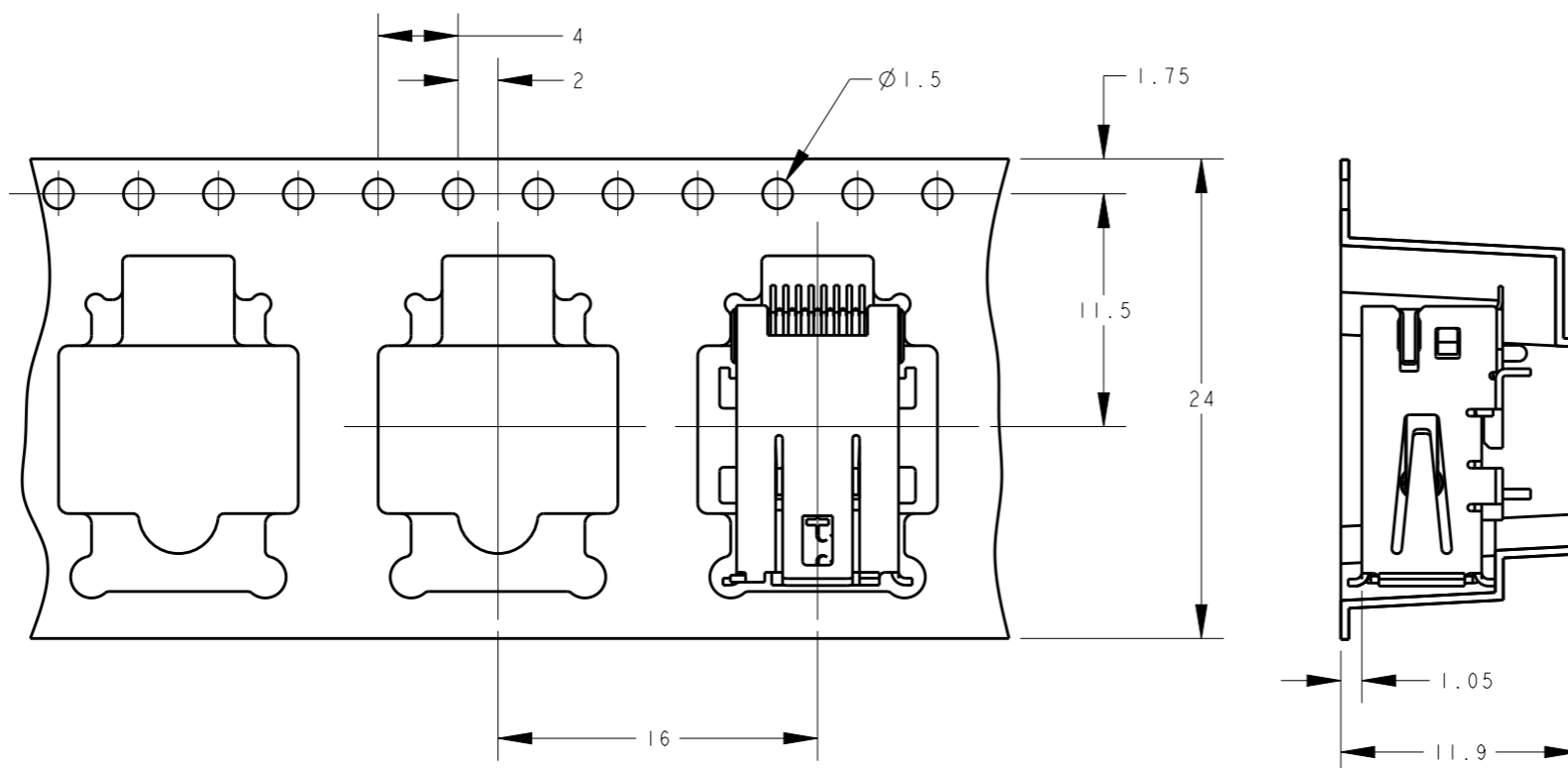
RELEASED FOR PUBLICATION

© COPYRIGHT - BY - ALL RIGHTS RESERVED.

REVISIONS

P	LTR	DESCRIPTION	DATE	DWN	APVD
-	-	SEE SHEET 1	-	-	-

繰り出し方向
UNREEL DIRECTION →



- 4. 材質: 伝導性ポリスチレン(±0.4mm)
- 5. 製品入り数: 300以上/1リール

- 4. MATERIAL : CONDUCTIVE POLY STYLENE(±0.4mm)
- 5. PRODUCT QUANTITY : 300MIN/1REEL

THIS DRAWING IS A CONTROLLED DOCUMENT.		DWN	TE Connectivity			
DIMENSIONS: mm		CHK				
		APVD	NAME INDUSTRIAL MINI I/O CONN. 1.27MM PITCH 8P HDR ASSY D-SHAPE TYPE I EMBOSS TAPING			
TOLERANCES UNLESS OTHERWISE SPECIFIED: ±0.5		PRODUCT SPEC	SIZE	CAGE CODE	DRAWING NO	RESTRICTED TO
<ul style="list-style-type: none"> 0 PLC ± 1 PLC ± 2 PLC ± 3 PLC ± 4 PLC ± ANGLES ± 		APPLICATION SPEC	A3	-	©-2069552	-
MATERIAL		WEIGHT	SCALE		SHEET	REV
-		-	4:1		1 OF 2	B
-		Customer Drawing				