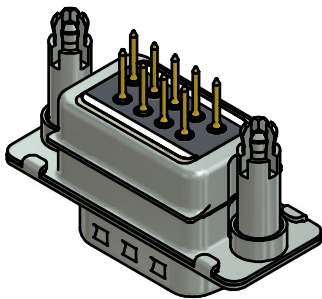
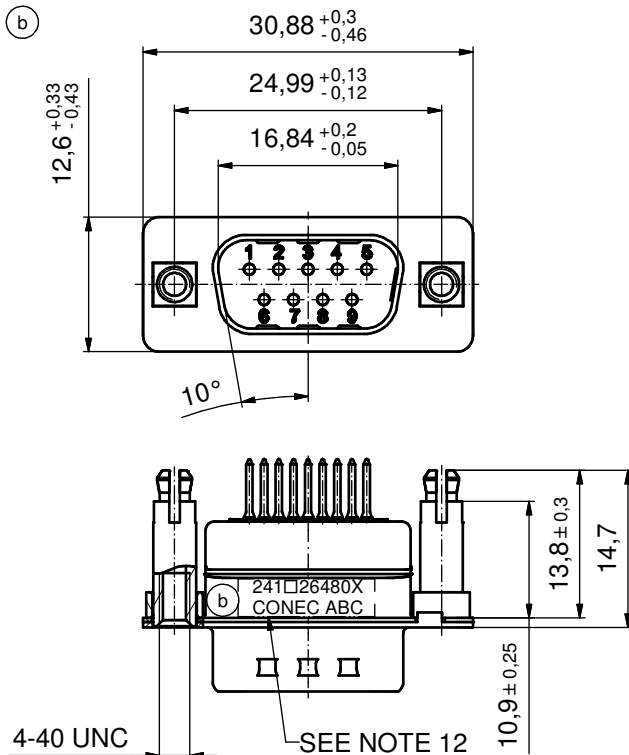
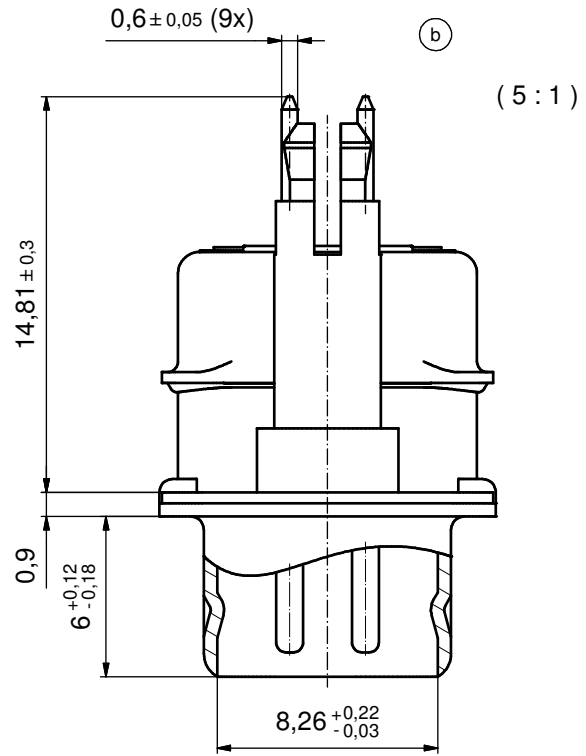


PCB HOLE DRILLINGS
(P.C.B. TOP SIDE)



NOTES: (b)

1. RoHS COMPLIANT
2. FOR WAVESOLDERING (SOLDER BATH TEMPERATURE 260°C FOR 5 SEC. AND SOLDER PREHEAT 100°C FOR 30 SEC.)
3. METALSHELLS: STEEL; min. 315µm TIN over 40-80µm NICKEL
4. INSULATOR: HIGH TEMPERATURE PLASTIC UL 94 V-0; BLACK
5. CONTACTS: COPPER ALLOY; PLATING (SEE PART NO.):
 PLEASE ADD A for GOLD FLASH over NICKEL (PREFERRED TYPE)
 PLEASE ADD B for 20µm HARD GOLD over min. 50µm NICKEL
 PLEASE ADD C for 30µm HARD GOLD over min. 50µm NICKEL
 CONTACTS TAILS PRETINNED
6. THREADED SPACER CLIPS: COPPER ALLOY; min. 200µm TIN over 80µm NICKEL
 PCB-HOLE: $\varnothing 3,1 \pm 0,1$; PCB THICKNESS 1,6mm
7. COLLARS: COPPER ALLOY; min. 200µm TIN over 80µm NICKEL
8. CAPACITANCE: 2 x 1300pF $\pm 20\%$
9. DIELECTRIC WITHSTANDING VOLTAGE: 300 VDC
10. P.C.B. HOLE DRILLINGS SEE SHEET 2
11. MAXIMUM TORQUE VALUE FOR THREAD: 6 in.LB
12. CONNECTOR IS PART MARKED: 241□26480X CONEC ABC

Directive 2002/95/EC RoHS compliant

THIS DRAWING MAY NOT BE COPIED OR REPRODUCED IN ANY WAY, AND MAY NOT BE PASSED ON TO A THIRD PARTY WITHOUT WRITTEN PERMISSION. OWNERSHIP AND COPYRIGHT OF CONEC GmbH DO NOT ALTER CAD DRAWING BY HAND				tolerance		scale: 2:1 (5:1)
				date	name	material: SEE NOTES
				drawn	19.09.06	Schmidt
				appd.	19.09.06	Mickenbecker
				norm		
			d-old			
			6 x b	Ä4743	06.05.2013	K.H.
			a	Original		
			rev.	description	date	name
			CONEC [®]			title: D-SUB PI FILTER MALE 9pos. SOLDER PIN STRAIGHT with threaded spacer clip
						dwg no: (b) 24K1A930
						part no: (b) 241□26480X (see note 5)