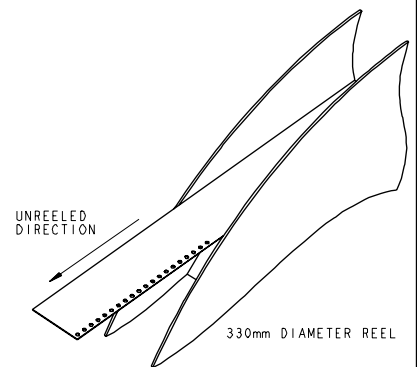
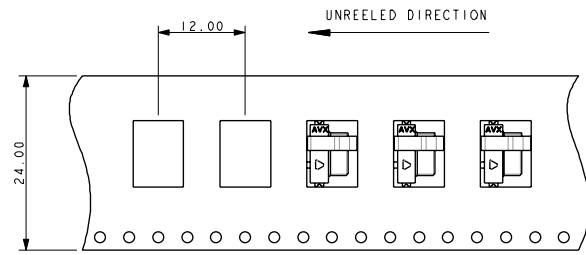


**AVX CONTROLLED RELEASE**

**AVX CONFIDENTIAL PROPRIETARY**  
The document on this print and information therewith are PROPRIETARY to AVX and shall not be copied or disclosed in whole or in part without AVX's written consent.

**PACKING DETAILS**



- NOTES :-
1. FOR MORE INFORMATION REFER TO PRODUCT SPECIFICATION 201-01-119UL AND 201-01-123 APPLICATION NOTES.
  2. ALL DIMENSIONS SHOWN ARE REFERENCE DIMENSIONS.
  3. INSULATION MATERIAL :- NYLON 46, GLASS FILLED, UL94 V-0, COLOUR WHITE.
  4. CONTACT MATERIAL :- COPPER ALLOY, SELECTIVE GOLD OVER NICKEL, TIN PLATED TAILS.
  5. RETAINING CLIP :- STAINLESS STEEL.
  6. BRACKETS :- COPPER ALLOY, TIN PLATED.
  7. OUTLINE OF CONNECTOR
  8. PACKING IN TAPE AND REEL, QUANTITY PER REEL 1000.
  9. RETAINING CLIP SUPPLIED ASSEMBLED.
  10. GENERAL TOLERANCE  $\pm 0.20$  UNLESS SPECIFIED.
  11. ASSEMBLY CONSISTS OF 10-9159-002-101-916 SMT PLUG AND 80-9159-4200-00-000 CLIP.
  12. FOR ALL PRODUCT UL REFERENCE E90723.

FORM 106-01-056-3 ISS-8

Release No.	History
102814	10/28/14
103046	31/10/2011
103058	14/10/2013
103061	10/30/13
103062	08/11/2013

3rd ANGLE  
ALL DIMENSIONS  
IN MILLIMETRES

© COPYRIGHT AVX  
NOT TO BE DISCLOSED OR COPIED  
WITHOUT WRITTEN PERMISSION

Drawn N.C.H.	Part Number 58-9159-002-000-015	DATE 14-Apr-10
Size CV	Description PLUG 2 WAY - RETAINING CLIP	Issue 3
	Drawing Number 58-9159-002-000-015S	