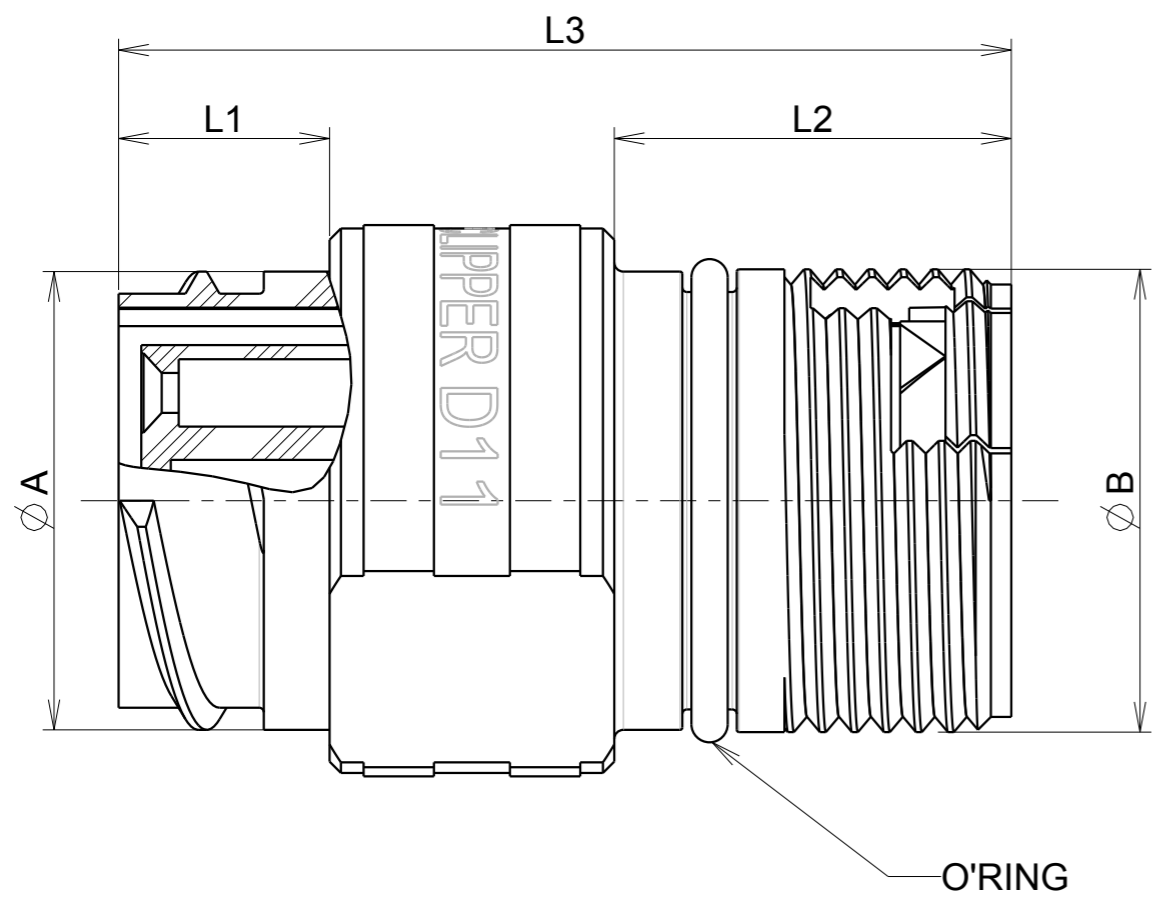
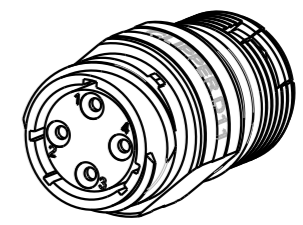
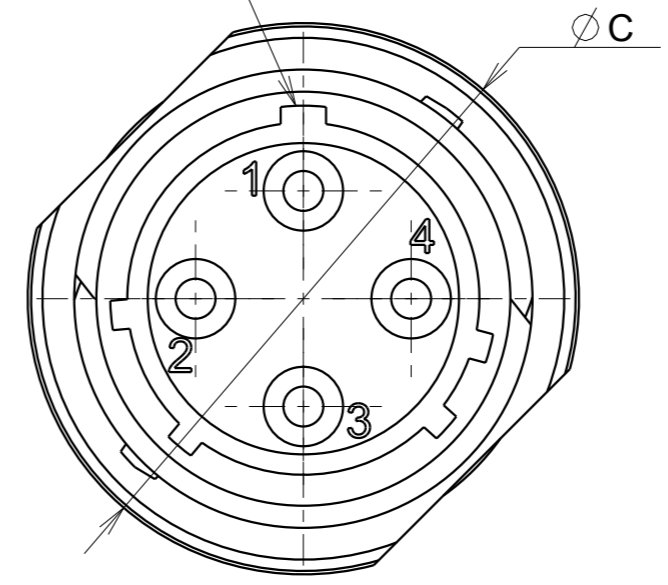


d; 2; RL



MASTER KEY



SCALE 1/1

# CL1D - - 00

0 = unsealed (without O'ring)  
1 = sealed

## CUSTOMER DRAWING

Shell Sizes	Cts Layout	Cts Qty	Ø Cts	ØA ±0.2	ØB	ØC max	L1 ±0.4	L2 max	L3 max
1	1	4	1.6 mm	21	PG 13	24.2	9.3	18	42.4

d	17/06/13	Update dimension after first serie		22966B
ISS	DATE	Latest modification - by: R.CHABIRAND		MOD N°
Designed by: R. CHABIRAND		Date: 08/04/13	CUSTOMER DRAWING	
TITLE		FEMALE IN-LINE RECEPTACLE CLIPPER SIZE 1		
Scale	3/1	General linear Tolerances: ± 0.2	NPRDS / PROJECT JCL1	
SOURIAU		WWW.SOURIAU.COM		This document is the property of SOURIAU It must not be reproduced or communicated without permission
FORMAT	A3	SOURIAU DRG N° C66-JCL1-A		SHEET 1 / 1