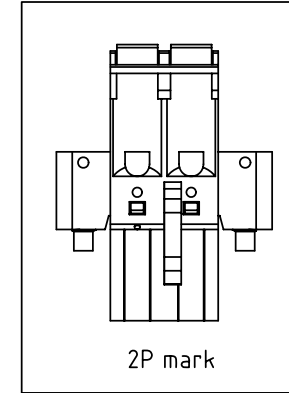
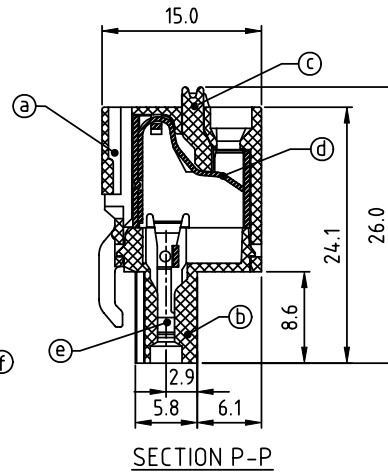
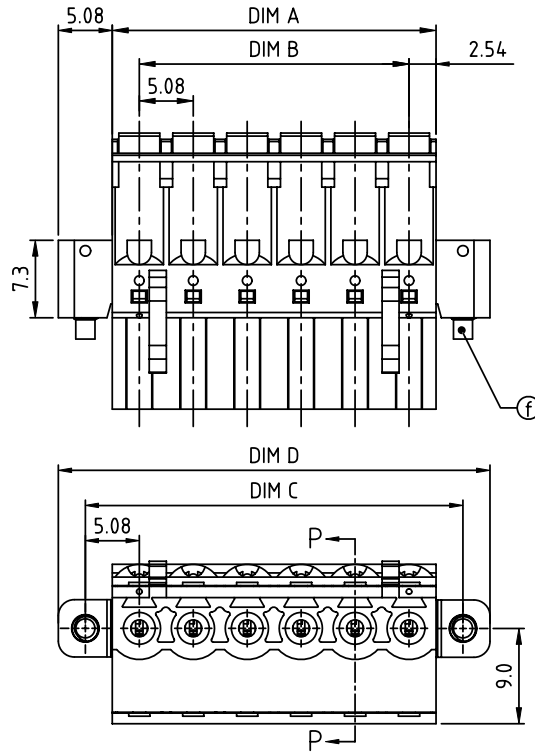


PRODUCT NUMBER	PITCH
HWxx50x300J0G	5.08 mm



Material:

- Item (a) Top body: Thermoplastic (UL94V-0)
- Item (b) Bottom body: Thermoplastic (UL94V-0)
- Item (c) Terminal lever: Thermoplastic (UL94V-0) Orange (RAL2011/P)
- Item (d) Spring clamp: Stainless Steel
- Item (e) Female contact: PhBz (CuSn) Tin plated
- Item (f) Flange screw: Steel Zinc plating M2.5 solt "+/-" combination type

Electrical cULus

- Voltage rating: 300V
- Current rating: 10A
- Solid wire (AWG): 12-26
- Stranded wire (AWG): 12-26
- Wire strip length: 9-10mm
- Withstanding Voltage: 1.6KV
- Operating temperature: -40°C to +115°C
- Safety Approval: cULus

Dimension
 DIM A = N × 5.08 + 0.5
 DIM B = (N - 1) × 5.08
 DIM C = (N - 1) × 5.08 + 10.16
 DIM D = (N - 1) × 5.08 + 15.24
 N = Number of poles

POLES	Tolerance
2p-6p	±0.20
7p-12p	±0.30
13p-16p	±0.40
17p-24p	±0.50

PART NO.: HW xx 50 x 3 00J0 G

Solid block	No. of poles	Color	RoHS compliant (lead < 4%) In copper Alloy
0	2	Black (RAL9005)	
2	3	Red (RAL3001/D)	
3	4	Orange (RAL2011/P)	
4	5	Yellow (RAL1018/A)	
5	6	Green (RAL6018/T)	
6	8	Blue (RAL5015/A)	
8	9	Grey (RAL7035/D)	
9		White (RAL1102)	
C		Green (RAL6018/U)	

mat'l. code		surface ASME Y14.5	tolerance ASME Y14.5	projection	product family TERMINAL BLOCK
ltr	ecn no	dr	date	 MM	title TERMINAL BLOCK SPRING CLAMP, PLUGGABLE PLUG, WITH FLANGE CONTACT ON UP SIDE
tolerances unless otherwise specified					
angles		X ± 0.5			dwg no HWxx50x300J0G sheet 1 of 1 size A4
X ± 1°		X.XX ± 0.1			
dr	ENGR	EVIN ZHONG	051514		
chr	SHI JUN	HANKE FENG	051514		
appd				type CUSTOMER Drawing	
sheet index	revision sheet	A	1		