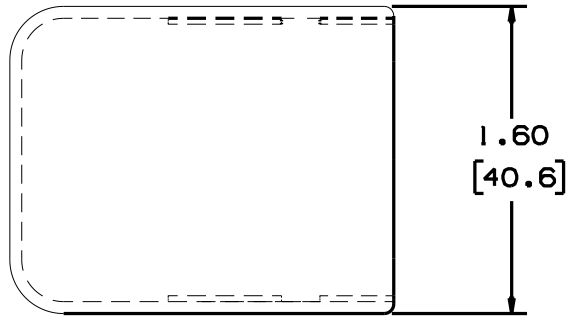


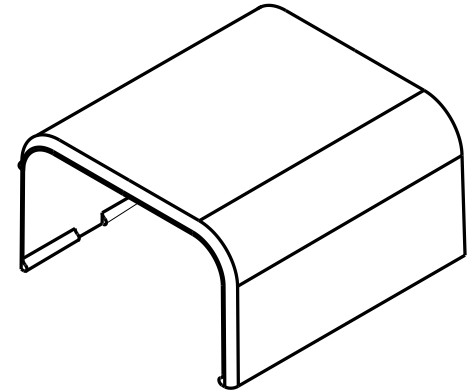
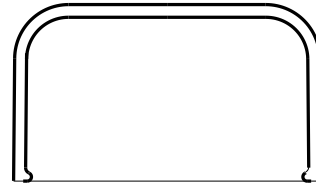
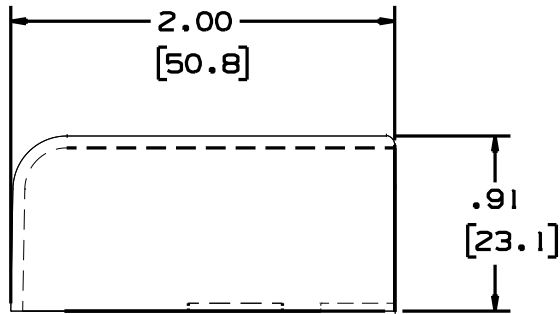
THIS COPY IS PROVIDED ON A RESTRICTED BASIS AND IS NOT TO BE USED IN ANY WAY DETRIMENTAL TO THE INTERESTS OF PANDUIT CORP.



PANDUIT P/N	WEIGHT
ECF10	1.36 LB/ 100PCS. (617g/ 100PCS.)

NOTES:

1. SEE CURRENT CATALOG FOR ADDITIONAL PART SUFFIXES TO INDICATE COLOR AND OR PACKAGE QUANTITY.
2. DIMENSIONS IN PARENTHESIS ARE IN METRIC.



--	--	--	RELEASED TO PRODUCTION	--	--			CAD FILENAME/LAYERS	D34116BF_DC_ECF10/02D.PRT
7	5-30-08	BDK	RMH	G. REVISED TO CURRENT CAD STANDARDS DRAWING # WAS SS-17775	34116-11	RTF	RTF			PANDUIT CORP. TINLEY PARK, ILLINOIS END CAP FITTING (ECF10) CUSTOMER DRAWING	
6	7-2-02	JHNU	RMH	F. REVISED MATERIAL IN DRAWING TITLE BLOCK.	17775	RGRO	RGRO				
5	8-30-00	JHNU	HIW	E. REVISED AND REDRAWN.	17775	HIW	HIW				
4	12-28-91	DW	BKR	D. REV'D NOTE AND REMOVED COLOR FROM DWG.	17775	BKR	CF				
3	2-28-91	DW	CF	C. REV'D COLORS: OMIT BEIGE, LIGHT IVORY, AND LIGHT GREY. ADDED INT. WHITE AND INT. GREY	17775	CF	WJB/CF			UNLESS OTHERWISE SPECIFIED, DIMENSIONAL TOLERANCES ARE:	UNLESS OTHERWISE SPECIFIED, ALL DIMENSIONS ARE GIVEN IN INCHES, THIRD ANGLE PROJECTION.
2	12-2-87	LDB	WJB	B. ADDED P/N ECF10E1 AND ECF10L1.	17775	WJB	WJB			(.X) ± (.XXX) ± (.XX) ± .031.81 ANGLES ±	
1	10-1-84	CEK	HMP	A. REVISED MAT'L.	17775	HMP	AJC			DRAWN BY SARGIS	MAT'L:
R	11-4-82	SS	HMP	DRAWING RELEASED	17775	HMP	JKR			DATE 11-4-82	ABS
REV	DATE	BY	CHK	DESCRIPTION	ECN	R	CUST	SUP		CHK'D JVL	
										SCALE	FULL
										DRAWING NO.	34116-11
										DWG SIZE	A

