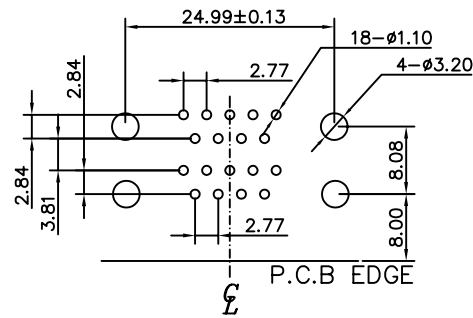
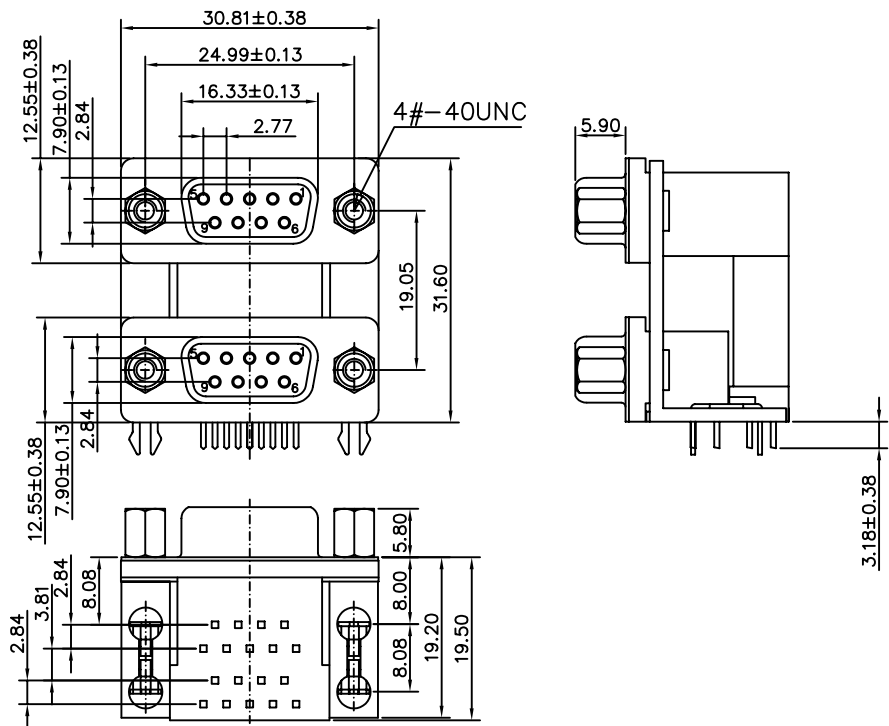


This document is the property of Amphenol Corporation and is delivered on the express condition that it is not to be disclosed, reproduced or used, in whole or in part, for manufacture or sale by anyone other than Amphenol Corporation without its prior consent, & that no right is granted to disclose or to use any information in this document.

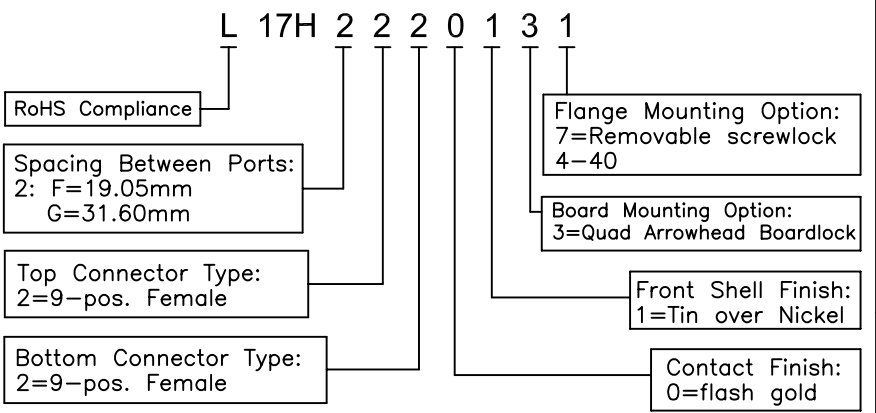


REVISIONS				
SYM	ECN	DESCRIPTION	DATE	APPROVED
1		New release	11/01/08	

D-SUB TECHNICAL DATA

SHELL : Steel, 100u" min. sn over 50u" min nickel.
 BODY : Glass filled thermoplastic, high temperature.
 CONTACTS : Phosphor bronze
 BOARDLOCK : Phosphor bronze. 100u" min tin over 50u" min nickel
 SCREWLOCK : Brass. 100u" min nickel plated
 BRACKET : Brass. 100u" min. tin over 50u" min nickel
 ELECTRICAL : Voltage rating :250 V Rms to 60 Hz
 Current rating :3A
 Withstanding Voltage >1000 V Rms to 50 Hz for one minute
 Insulation resistance >5000 M Ohms
 Contact resistance 20 mOhms max.
 CLIMATIC : Temperature range -55 °C up to 125°C
 MARKING : Amphenol...(Series No.)
 Commercial reference
 Manufacturing date

PRODUCT CODE



Customer drawing

UNLESS OTHERWISE SPECIFIED TOLERANCES		APPROVAL		DATE
U.S.	METRIC	DRAWN	Checked	11/01/08
.X +/-	0.50	Christina.crow		
.XX +/-	0.30			
.XXX +/-	0.20			
FRACTIONS +/-				
ANGLES +/-	2'			
FOR MATERIALS AND FINISHES SEE NOTES		DRAWING FILE :		
REMOVE SHARP EDGES		ANGLE OF PROJECTION		
DIMENSIONS				
U.S.	INCHES			
METRIC	MM			

TITLE		
Dual port connector, 17H series		
SIZE	DRAWING NO.	REV.
A4	C L17H2220131	1
SCALE	NONE	SHEET 1 OF 1