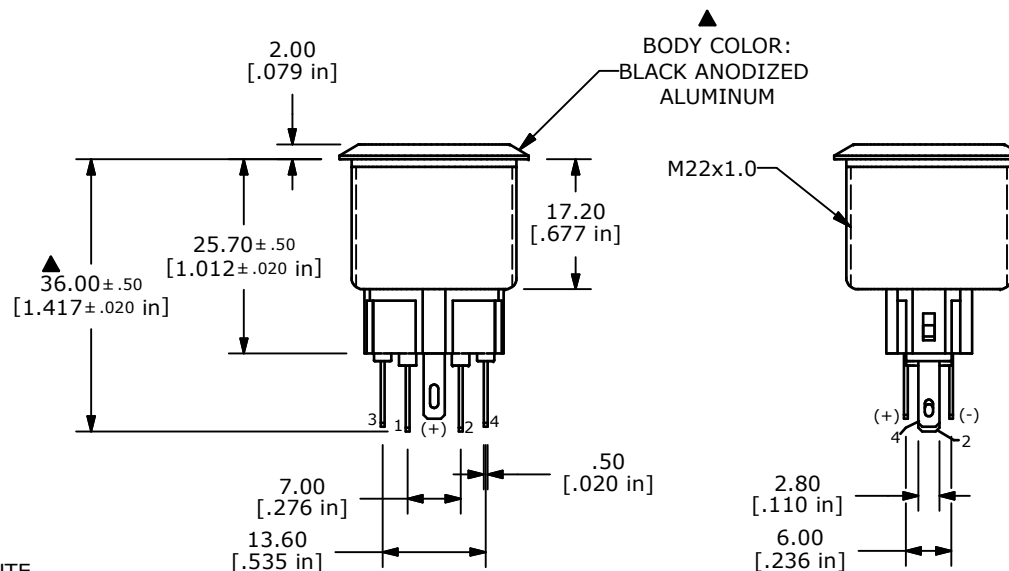
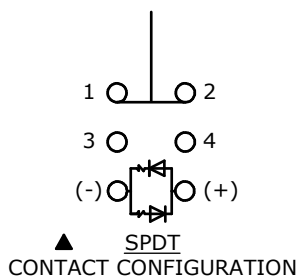
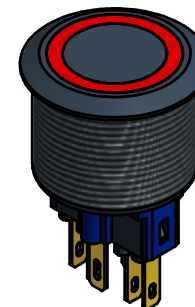
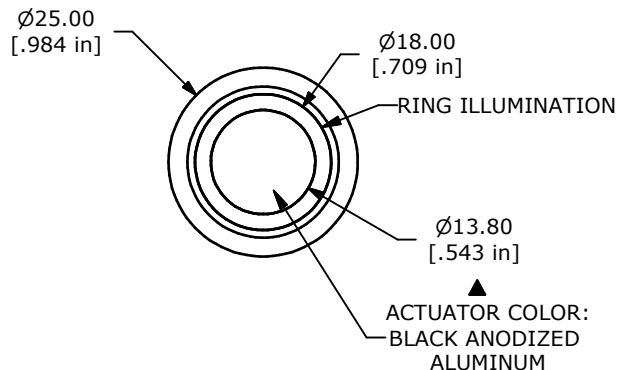


PANEL CUTOUT  
MAX. PANEL THICKNESS 8mm

SWITCH FUNCTION ▲	
POS. 1	POS. 2 (MOM)
1-2	3-4

(ON) = MOMENTARY



- NOTE:
1. ALL DIMENSIONS IN MM [INCH]
  2. GENERAL TOLERANCE: X.X = ± 0.4  
X.XX = ± 0.25
  3. TERMINAL NOS. FOR REF. ONLY
  4. FUNCTION: SPDT
  5. RATING: 2A @ 48VDC
  6. ILLUMINATION VOLTAGE: 12V
  7. CONTACT RESISTANCE: 50mΩ MAX. @ 1A 12VDC
  8. INSULATION RESISTANCE: 1,000MΩ @ 500VDC
  9. DIELECTRIC STRENGTH: 2,000VAC MIN. FOR 1 MINUTE
  10. ELECTRICAL LIFE: 50,000 CYCLES
  11. OPERATING TEMPERATURE: -20°C TO 55°C
  12. INGRESS PROTECTION: IP65
  13. ▲DENOTES CRITICAL PARAMETER
  13. 2002/95/EC (ROHS) COMPLIANT
  14. ILLUMINATION COLOR: RED (FORWARD), RED (REVERSE)
  15. HARDWARE INCLUDED (NOT SHOWN) HEX NUT AND O-RING



TITLE PV7F2Y011-314

A	21484	RELEASE FOR PRODUCTION	6/19/14	EBP
REV	PCR NO	DESCRIPTION	DATE	BY

THE INFORMATION CONTAINED IN THIS DOCUMENT IS PROPRIETARY  
TO E-SWITCH AND IS NOT TO BE COPIED OR TRANSFERRED

SCALE	DATE 6/19/2014	DR EBP	DWG 52-PV7F2Y011314	REV A
-------	-------------------	-----------	------------------------	----------