

1. 製品名称／PRODUCT NAME : 1.0 FPC CONN. ZIF SMT EMBOSSED TAPE PACKAGING

製品番号／PART NUMBER : 5 2 2 0 7 - * * 3 3

5 2 2 0 7 - * * 6 0

5 2 2 0 7 - 1 0 5 0

(* * は極数を示す)

(* * IS CIRCUITS SIZE)

2. 標準梱包数／STANDARD PACKAGING QUANTITY

極数 CKT. SIZE	キャリア テープ幅 (mm) CARRIER TAPE WIDTH (mm)	1 リール中の製品数 QTY. PER REEL	外装カートン SHIPPING CARTON	
			梱包リール数 NUMBER OF REELS	製品数 QUANTITY
3	16	1,000	8	8,000
4	24	1,000	6	6,000
5				
6				
7				
8				
9				
10	32	1,000	4	4,000
11				
12				
13				
14				
15				
16				

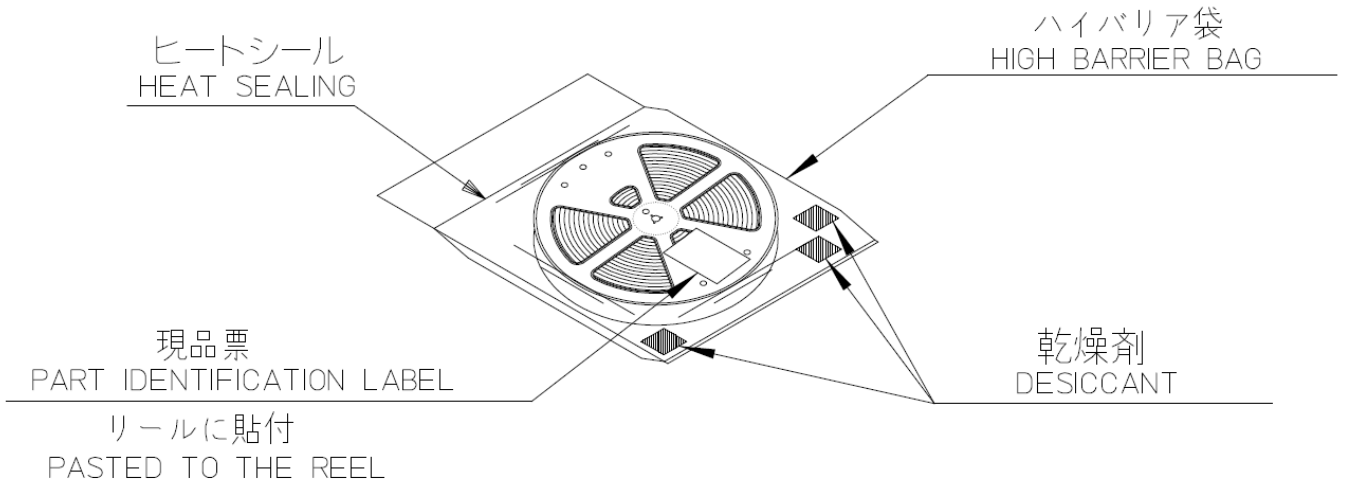
REV.	D				
SHEET	1~3				
REVISE ON PC ONLY		TITLE:			
D	REVISED 601630 2018/07/17 GSHARMA		5 2 2 0 7 梱包仕様書 SALES PACKAGING SPEC. FOR 52207		
	THIS DOCUMENT CONTAINS INFORMATION THAT IS PROPRIETARY TO MOLEX ELECTRONIC TECHNOLOGIES, LLC AND SHOULD NOT BE USED WITHOUT WRITTEN PERMISSION				
REV.	DESCRIPTION				
DESIGN CONTROL J		STATUS	WRITTEN BY: YTOKUZONO	CHECKED BY: T.HARUYAMA	APPROVED BY: N.UKITA
			DATE: 2009/06/30		

DOCUMENT NUMBER SPK-52207-002	DOC. TYPE PS	DOC. PART 001	CUSTOMER GENERAL	SHEET 1 OF 3
----------------------------------	-----------------	------------------	---------------------	-----------------

極 数 CKT. SIZE	キャリア テープ幅 (mm) CARRIER TAPE WIDTH (mm)	1 リール中の製品数 QTY. PER REEL	外装カートン SHIPPING CARTON	
			梱包リール数 NUMBER OF REELS	製品数 QUANTITY
17	44	1,000	3	3,000
18				
19				
20				
21				
22				
23				
24				
25				
26				
27	56	1,000	3	3,000
28				
29				
30				
34				

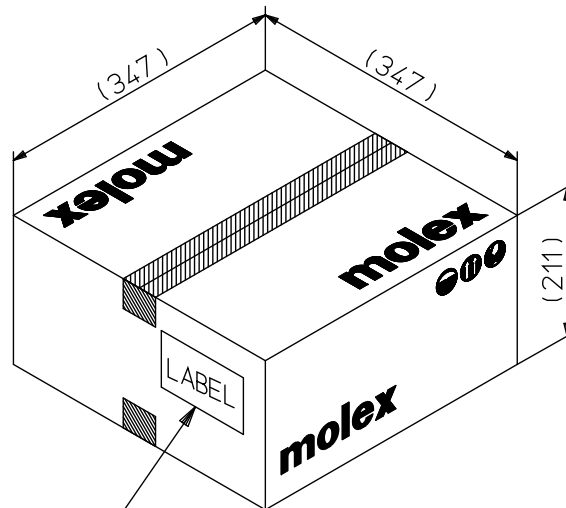
REVISE ON PC ONLY		TITLE:		
D	SEE SHEET 1 OF 3	5 2 2 0 7 梱包仕様書 SALES PACKAGING SPEC. FOR 52207		
		THIS DOCUMENT CONTAINS INFORMATION THAT IS PROPRIETARY TO MOLEX ELECTRONIC TECHNOLOGIES, LLC AND SHOULD NOT BE USED WITHOUT WRITTEN PERMISSION		
REV.	DESCRIPTION	DOC. TYPE	DOC. PART	CUSTOMER
		PS	001	GENERAL
DOCUMENT NUMBER SPK-52207-002				SHEET 2 OF 3

3. ハイバリア袋への梱包方法及びラベル貼付位置/PACKAGING METHOD FOR HIGH BARRIER BAG AND LABEL POSITION.



4. カートン外形参考寸法/CARTON OUTER DIMENSIONS (REFERENCE PURPOSE ONLY)

単位/UNIT: mm



カートンラベル
CARTON LABEL

(製品型番, 数量, ロットNO. 表示)
INDICATION OF PART No., QUANTITY, LOT No.

標準カートン
STANDARD CARTON

REVISE ON PC ONLY		TITLE:			
D	SEE SHEET 1 OF 3	5 2 2 0 7 梱包仕様書 SALES PACKAGING SPEC. FOR 52207			
	REV.	DESCRIPTION	THIS DOCUMENT CONTAINS INFORMATION THAT IS PROPRIETARY TO MOLEX ELECTRONIC TECHNOLOGIES, LLC AND SHOULD NOT BE USED WITHOUT WRITTEN PERMISSION		
DOCUMENT NUMBER SPK-52207-002		DOC. TYPE PS	DOC. PART 001	CUSTOMER GENERAL	SHEET 3 OF 3