

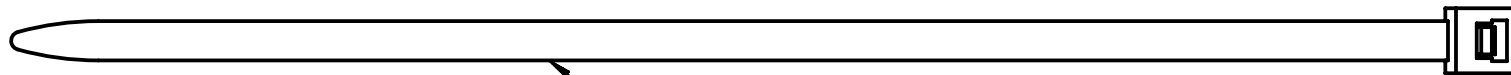
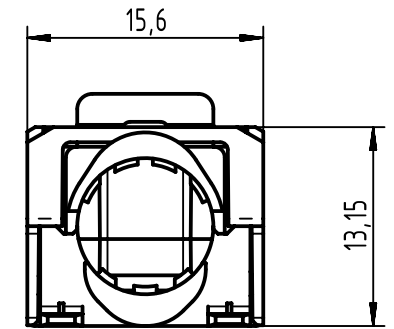
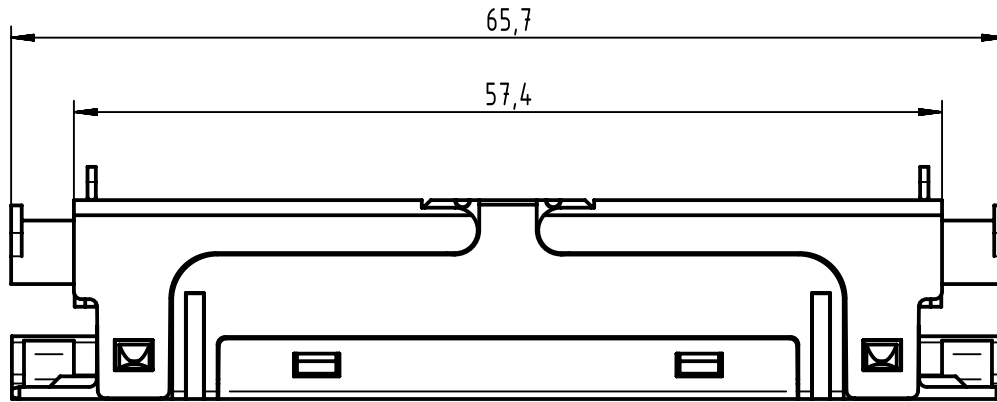
1 2 3 4 5 6

A

B

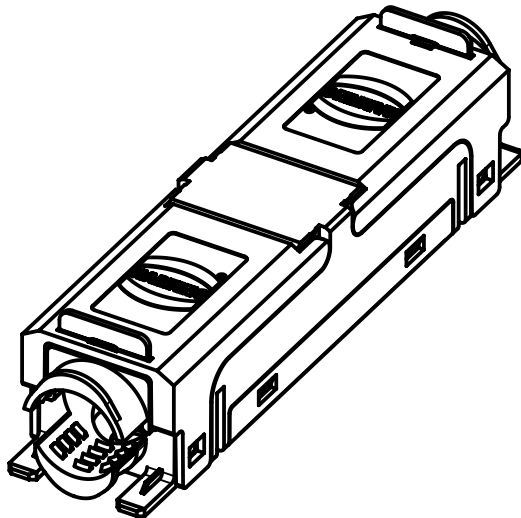
C


D



enclosed 2x cable tie

instruction manual



	All Dimensions in mm Original Size DIN A4		Scale 2:1	Free size tol.		Ref.	
	All rights reserved Department EC PD - DE		Created by DRAGHICI	Inspected by WELLMANN	Standardisation HOFFMANN	Date 2013-09-12	State Final Release
HARTING Electronics GmbH D-32339 Espelkamp		Title preLink Extender				Doc-Key / ECM-Nr. 100511886/UGD/001/C 500000066287	
		Type TB	Number 20821010001			Rev. C	Page 1/1