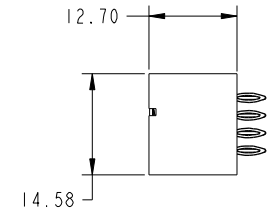
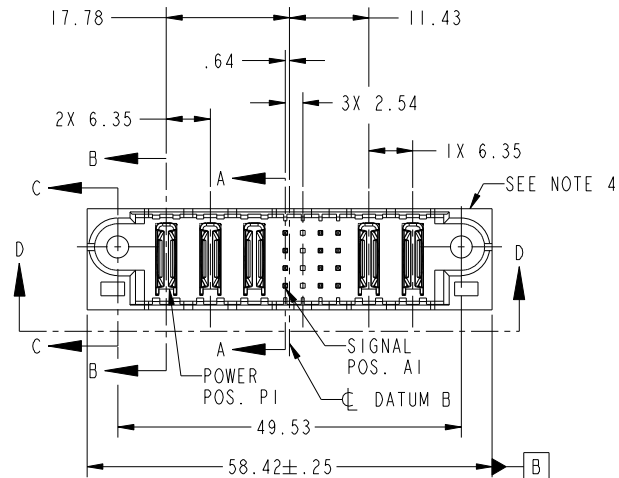


Tous droits strictement reserves. Reproduction ou communication a des tiers interdite sous quelque forme que ce soit sans autorisation écrite du propriétaire. Propriete de c FCI. Droits de reproduction FCI.



All rights strictly reserved. Reproduction or issue to third parties in any form whatever is not permitted without written authority from the proprietor. Property of FCI. Copyright FCI.

PRODUCT NO.	ROWS	POWER			SIGNAL				POWER		E2	
		E1	P1	P2	P3	1	2	3	4	P4		P5
51710-023... NOTE: 3	D C B A		PC	PC	PC	K	X	K	K	PC	PC	
						K	X	K	K			
						K	X	K	K			
						K	X	K	K			



CODE	DIM "M" MATING LENGTH	CONTACT TYPE
PC	[N/A]	POWER
K	[5.59]	SIGNAL
G	[6.86]	SIGNAL
X	OMITTED	OMITTED

mat'l code				SEE NOTE		tolerances unless otherwise specified		CUSTOMER		FCI	
ltr	ecn no.	dr	date	linear	0.X ± 0.5	projection		COPY		www.fciconnect.com	
A	DG06-0077	JMG	02/27/06		0.XX ± 0.25	M		title		3P + 16S + 2P	
B	DG06-0105	JMG	03/15/06	angles	0.XXX ± 0.10	MM		product family		PwrBlade	
C	DG07-0357	JULIA	09/10/07	dr	0° ± 2°	← MIM →		size		code	
D	DG08-0273	JW	12/05/08	enr	JMG 02/27/06	scale		dwg no		213	
				chr	SLUO 02/27/06	1:1		51710-023		sheet	
				appd	BEER FU 02/27/06			A		1 of 4	
					JOSEPH HSIA 02/27/06						
sheet index	revision sheet	D	D	D	D						
		1	2	3	4						

cage code		22526		4	
-----------	--	-------	--	---	--

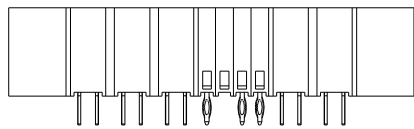
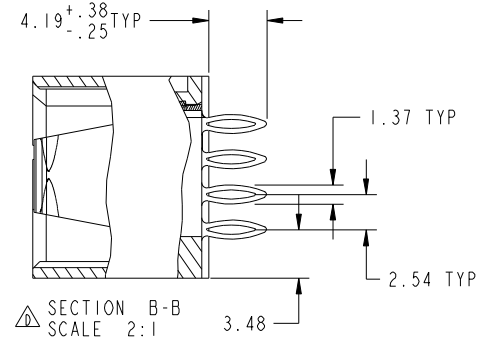
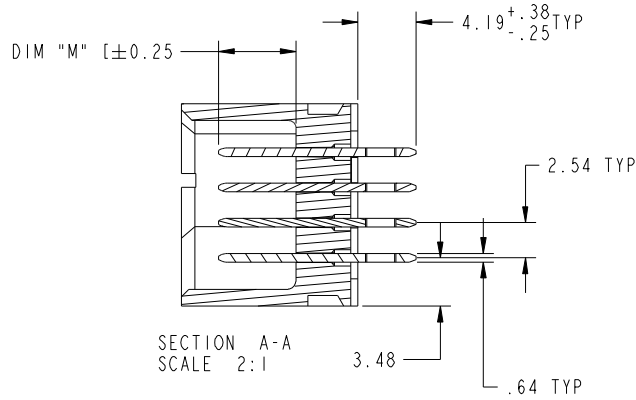
Pro/E

Tous droits strictement reserves. Reproduction ou communication a des tiers interdite sous quelque forme que ce soit sans autorisation écrite du propriétaire. Propriete de c FCI. Droits de reproduction FCI.

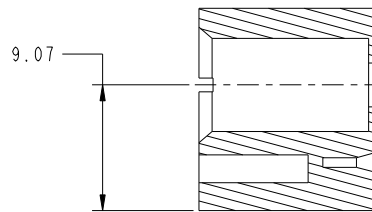


All rights strictly reserved. Reproduction or issue to third parties in any form whatever is not permitted without written authority from the proprietor. Property of FCI. Copyright FCI.

PRODUCT NUMBER
51710-023--
NOTE: 3



VIEW D-D



SECTION C-C
SCALE 2:1

mat'l code		SEE NOTE		tolerances unless otherwise specified		CUSTOMER		www.fciconnect.com	
ltr	ecn no.	dr	date	linear	0.X ±0.5	COPY		title	
D					0.XX ±0.25	projection		3P + 16S + 2P VERTICAL PF HEADER	
				angles	0.XXX ±0.10			product family PwrBlade code	
				dr	0° ±2°	MIM		size 213	
				enrg	JMG 02/27/06			sheet 2	
				chr	SLUO 02/27/06	scale 1:1		dwg no 51710-023	
				appd	BEER FU 02/27/06			cage code 22526	
					JOSEPH HSIA 02/27/06				
sheet index	revision sheet								

Pro/E

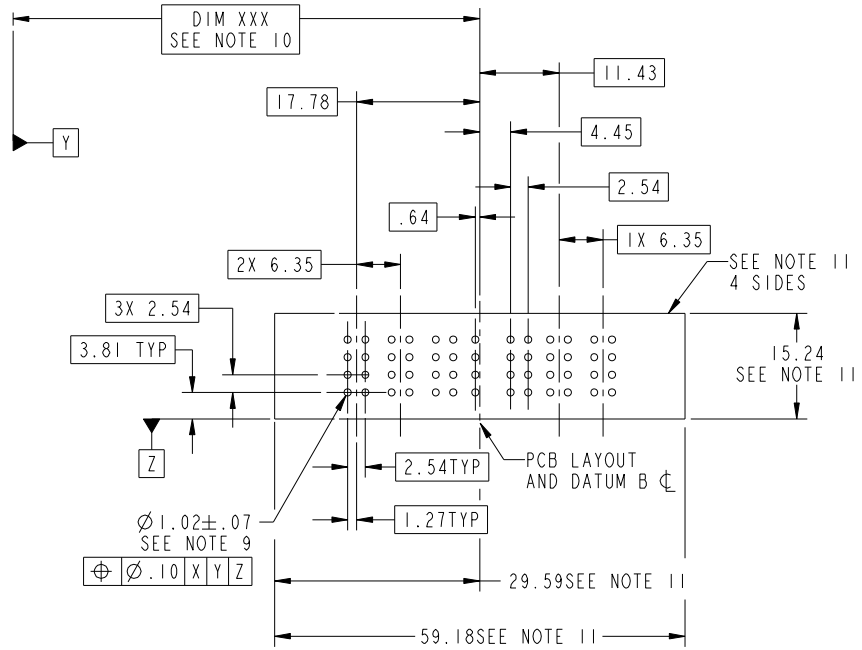
cage code 22526

Tous droits strictement reserves. Reproduction ou communication a des tiers interdite sous quelque forme que ce soit sans autorisation ecrite du proprietaire. Propriete de c FCI. Droits de reproduction FCI.



All rights strictly reserved. Reproduction or issue to third parties in any form whatever is not permitted without written authority from the proprietor. Property of FCI. Copyright FCI.

PRODUCT NUMBER
51710-023--
NOTE: 3



mat'l code		SEE NOTE		tolerances unless otherwise specified		CUSTOMER		www.fciconnect.com	
ltr	ecn no.	dr	date	linear	0.X ± 0.5	COPY		title	
D					0.XX ± 0.25	projection		3P + 16S + 2P VERTICAL PF HEADER	
				angles	0.XXX ± 0.10			product family PwrBlade code	
				dr	JMG 02/27/06	MIM		size	
				enrg	SLUO 02/27/06			dwg no 213	
				chr	BEER FU 02/27/06	scale		sheet 3	
				appd	JOSEPH HSIA 02/27/06	1:1		A 51710-023	
sheet index	revision sheet								

cage code 22526

Pro/E

Tous droits strictement reserves. Reproduction ou communication a des tiers interdite sous quelque forme que ce soit sans autorisation écrite du propriétaire. Propriete de c FCI. Droits de reproduction FCI.



All rights strictly reserved. Reproduction or issue to third parties in any form whatever is not permitted without written authority from the proprietor. Property of FCI. Copyright FCI.

PRODUCT NUMBER
51710-023--
NOTE: 3

NOTES:

1. DIMENSIONS AND TOLERANCES ARE IN ACCORDANCE WITH ASME Y14.5M, 1994 UNLESS OTHERWISE SPECIFIED.

CONNECTOR NOTES:

2 HOUSING MATERIAL: UL 94 V-0 GLASS FILLED
HIGH-TEMP THERMOPLASTIC
POWER CONTACT MATERIAL: COPPER ALLOY
SIGNAL PIN MATERIAL: COPPER ALLOY

3. PLATING:
SEE ITEM 3 & 4 IN PRINT 10064183 FOR PLATING SPEC OF 51710-023; 51710-023LF PRESPECTIVELY

4 MANUFACTURER'S NAME, P/N, AND DATE CODE TO APPEAR ON THIS SURFACE.

5. PRODUCT SPECIFICATION GS-12-149.
APPLICATION SPECIFICATION BUS-20-067.

6. PACKAGED IN TRAYS.

PCB NOTES:

7. ALL HOLE DIAMETERS ARE FINISHED HOLE SIZE.

8. MOUNTING HOLES, WHERE APPLICABLE, ARE UNPLATED.

9 $\varnothing 1.151 \pm 0.025$ DRILLED HOLES PLATED WITH
0.008 MIN SnPb OR Sn OVER 0.03
TO 0.08 Cu PLATING TO ACHIEVE
 $\varnothing 1.02 \pm .07$ HOLE.

10 "DIM XXX" TO BE DETERMINED BY THE CUSTOMER.

11 CONNECTOR KEEP-OUT ZONE.

12. FOR PRESS FIT APPLICATION USE FCI CAM TOOL 430169-XXX.

13. A Δ SYMBOL WILL BE NEXT TO ANY DIMENSION, VIEW, OR NOTE WHICH HAS BEEN MODIFIED WITH THE CURRENT DRAWING REVISION.

mat'l code		SEE NOTE		tolerances unless otherwise specified		CUSTOMER		FCI www.fciconnect.com	
ltr	ecn no.	dr	date	linear	0.X ± 0.5	COPY		title	
D					0.XX ± 0.25	projection		3P + 16S + 2P VERTICAL PF HEADER	
				angles	0.XXX ± 0.10			product family PwrBlade code	
				dr	0° ± 2°	MIM		size 213	
				enrg	JMG 02/27/06			dwg no 51710-023 sheet 4	
				chr	SLUO 02/27/06	scale 1:1		A	
				appd	BEER FU 02/27/06				
					JOSEPH HSIA 02/27/06				
sheet index	revision sheet								

cage code 22526

Pro/E