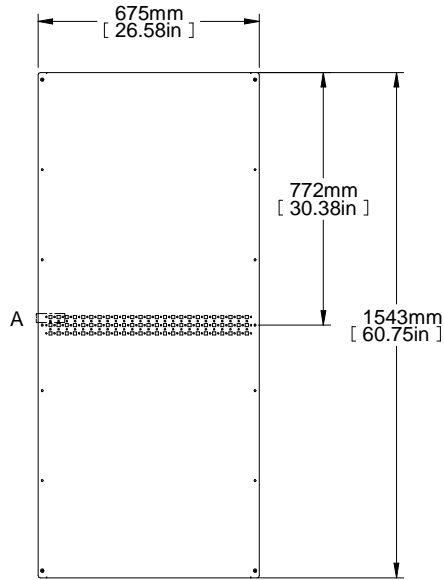
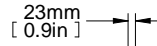


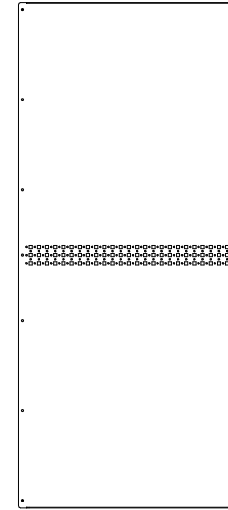
TOP VIEW



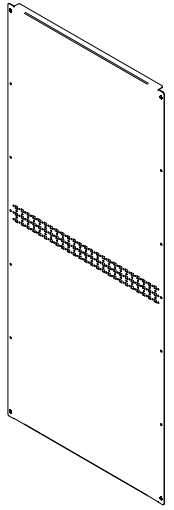
FRONT VIEW



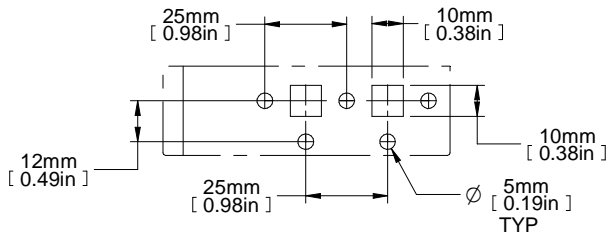
R.S. SIDE VIEW



REAR VIEW



ISOMETRIC



DETAIL A
10:1

PART NUMBERS	
HSIP188	14 GAUGE GALVANIZED STEEL
NOTES	
Unpainted.	
Allows installation of 19" mounting rails including center support.	
See Hammond Website for Additional Accessories.	
Français	
Pour tous les détails sur nos produits, svp veuillez consulter notre site www.hammondmfg.com .	
Data subject to change without notice. Isometric drawing not to scale.	
Les données sont sujettes à changement sans préavis.	

**HAMMOND
MANUFACTURING®**
www.hammondmfg.com

PART NO. **HSIP188**