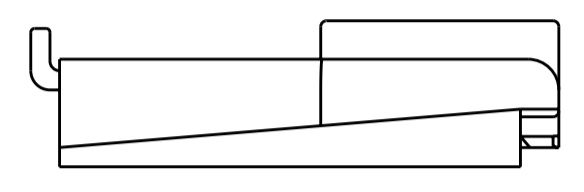
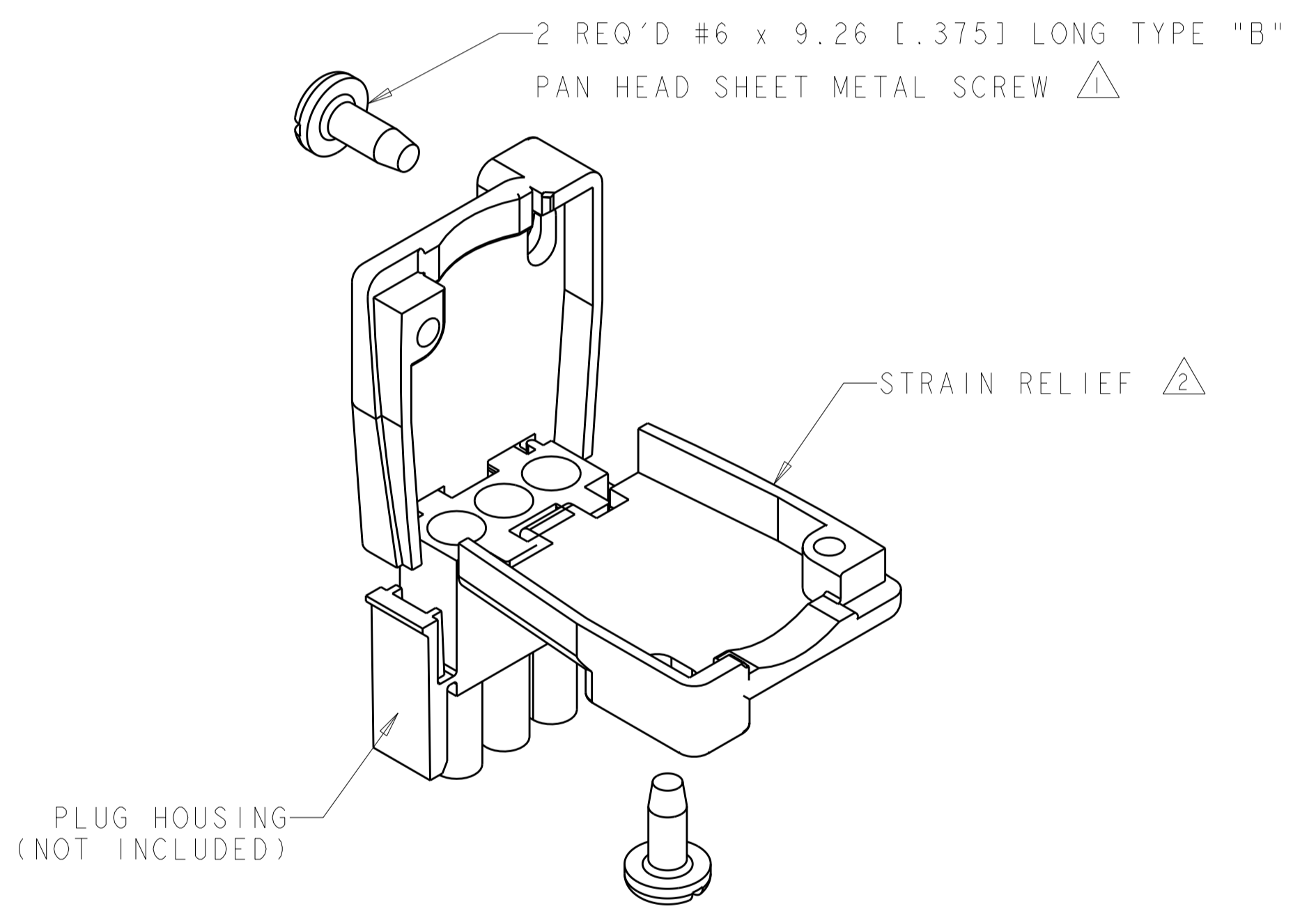
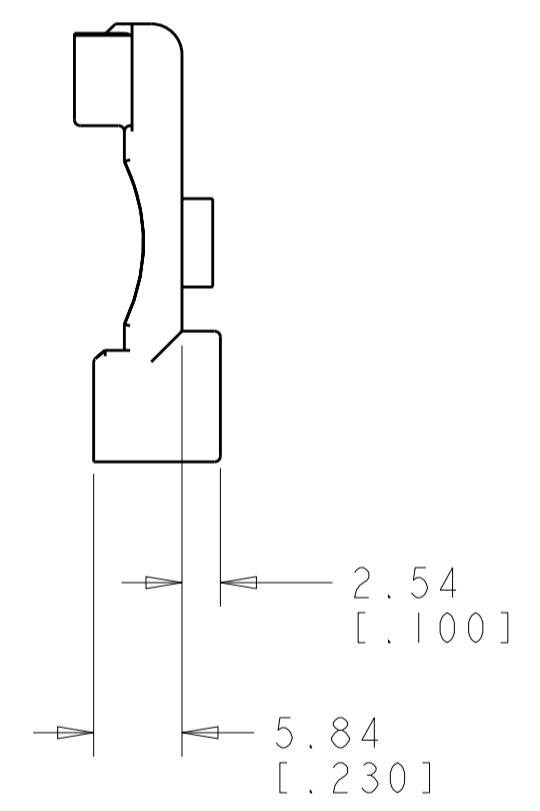
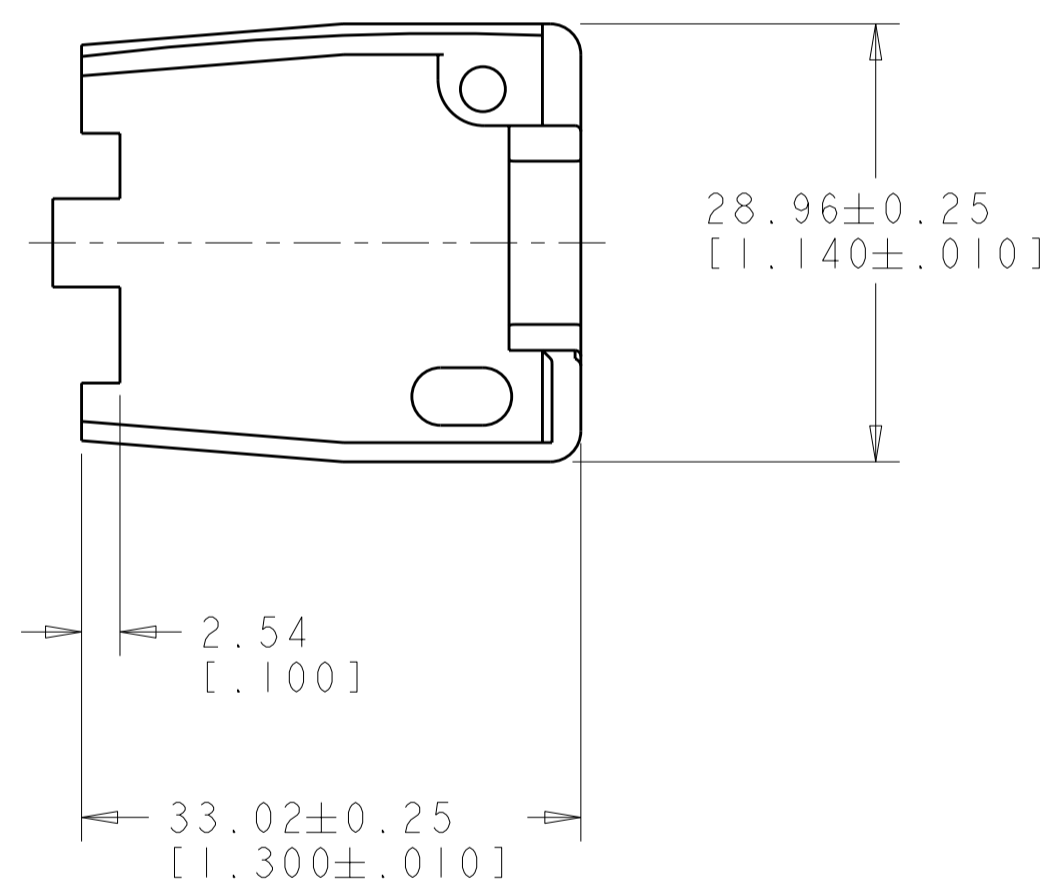


THIS DRAWING IS UNPUBLISHED. RELEASED FOR PUBLICATION 20
 © COPYRIGHT 20 BY TYCO ELECTRONICS CORPORATION. ALL RIGHTS RESERVED.

LOC	DIST	REVISIONS			
P	LTR	DESCRIPTION	DATE	DWN	APVD
CM	00				
	C	REVISED PER 063B-0243-02	22-MAY-02	KW	SR
	D	REVISED PER ECO-05-014481	30NOV05	KW	SR
	DI	REVISED PER ECO-07-005782	14MAR2007	KW	DC



- ① SHEET METAL SCREWS NOT SUPPLIED.
- ② TWO REQUIRED PER CONNECTOR.
- 4. DESIGNED TO ACCEPT CABLE WITH 5.08 - 8.89 [.200 - .350] OUTSIDE DIAMETER.



GRAY	641763-8	①
BLACK	641763-2	①
NATURAL	641763-1	①
COLOR	PART NUMBER	

METRIC

THIS DRAWING IS A CONTROLLED DOCUMENT FOR TYCO ELECTRONICS CORPORATION. IT IS SUBJECT TO CHANGE AND THE CONTROLLING ENGINEERING ORGANIZATION SHOULD BE CONTACTED FOR THE LATEST REVISION.		DWN K. WHITAKER 22MAY2002 CHK S. RIDGILL 22MAY2002 APVD S. RIDGILL 22MAY2002	tyco Tyco Electronics Harrisburg, PA 17105-3608
DIMENSIONS: mm [INCHES]	TOLERANCES UNLESS OTHERWISE SPECIFIED: 0 PLC ± 1 PLC ± 2 PLC ±0.13 [.005] 3 PLC ± 4 PLC ± ANGLES ± FINISH	PRODUCT SPEC - APPLICATION SPEC - WEIGHT -	NAME STRAIN-RELIEF, UNIVERSAL MATE-N-LOK(TM) 3 CIRCUIT SIZE A2 CAGE CODE 00779 DRAWING NO. 641763 RESTRICTED TO -
MATERIAL NYLON 94V-2	CUSTOMER DRAWING	SCALE 2:1 SHEET 1 OF 1 REV DI	