

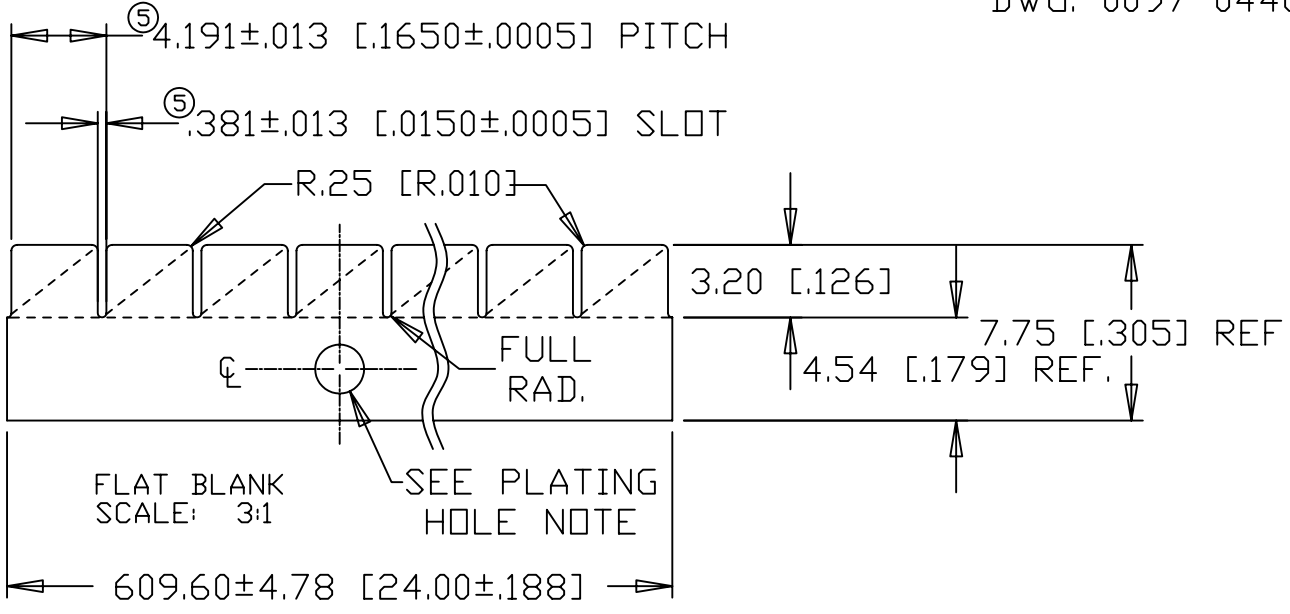
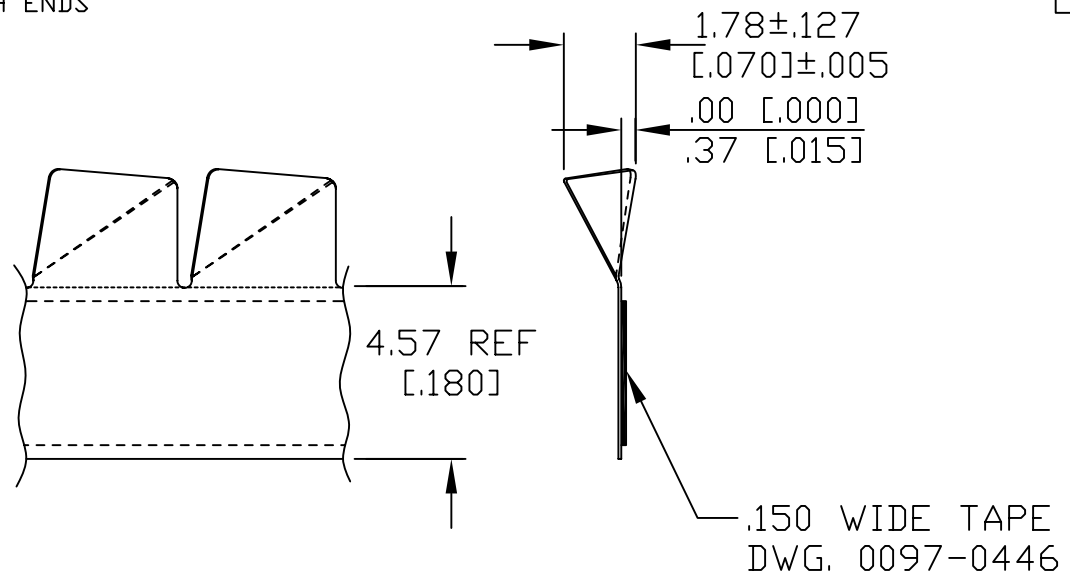
.450 MAT'L. WIDTH WAS .484 WIDE ECN 4005 RCC 04/25/89 BJ 04/25/89	03
ADD C.T.L. DP. ECN 4624 RCC 10/23/89 EWS 10/24/89	04
ECD-E1300 ADDED PITCH & SLOT TDL. RKM 10/22/99 EWS 10/25/99	05


PLATING HOLES

Φ OF 4TH FINGER TYP BOTH ENDS
Φ OF PART ±1 FINGER
Ø2.159±.0508 [Ø.085±.002]

NOTE:

WHEN SUPPLIED IN
25 FOOT COILS, LENGTH
CUT FROM PRESS TO
BE 25'-2½"±2".



MATERIAL: .076±.005 X 11.430±.076 [.003±.0002 X .450±.003] BeCu ALLOY 25 1/2 HARD	TOLERANCES NOT SHOWN		 DELAWARE WATER GAP PENNSYLVANIA	DRAWN BY: JR	DATE: 11/15/88	
	DECIMAL 2 PL'S ± ---	DECIMAL 3 PL'S ± .127[.005]		CHECKED BY: BJ	DATE: 11/15/88	
HEAT TREAT: TO DPH 383 MIN. USING A 500 GRAM LOAD	ANGULAR ± ---	THIRD ANGLE PROJECTION	APPROVED BY: BJ	DATE: 11/15/88		
THICKNESS AFTER: CLEANING AND BEFORE PLATING: .066 [0.0026] MIN.	UNITS: MM [INCH]	SCALE: 5:1	LAIRD STANDARD			
FINISH: AS REQUIRED	3.0 [0.118] FLAT SERIES			DWG. NO.	SUB	
CAD MAINTAINED DRAWING. MANUAL CHANGES UNAUTHORIZED.					0097-0559-XX	05