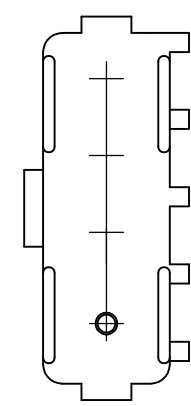
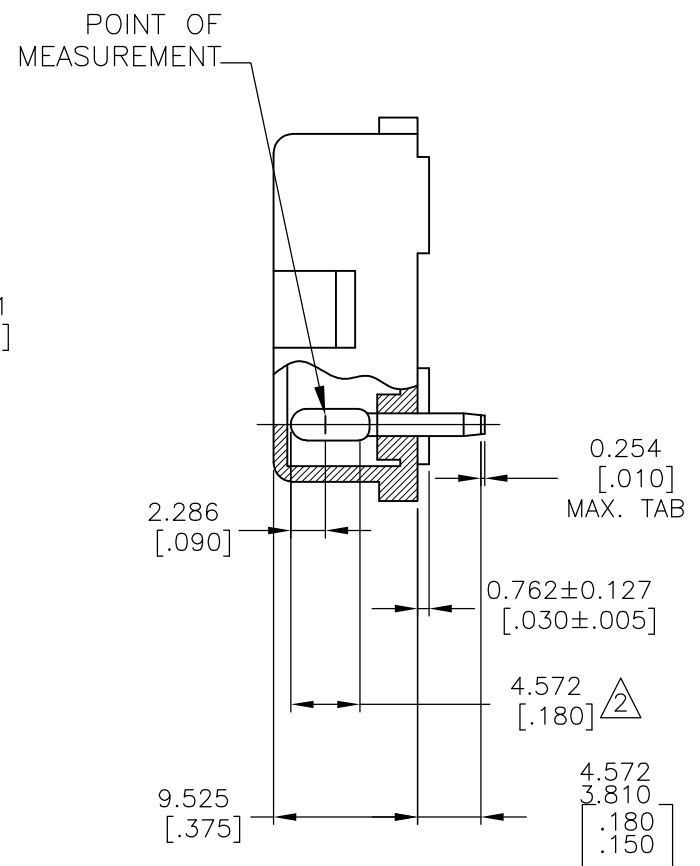
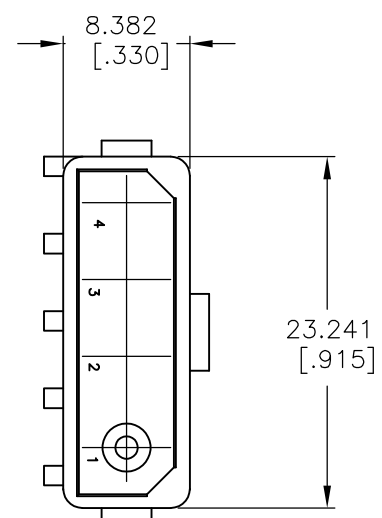
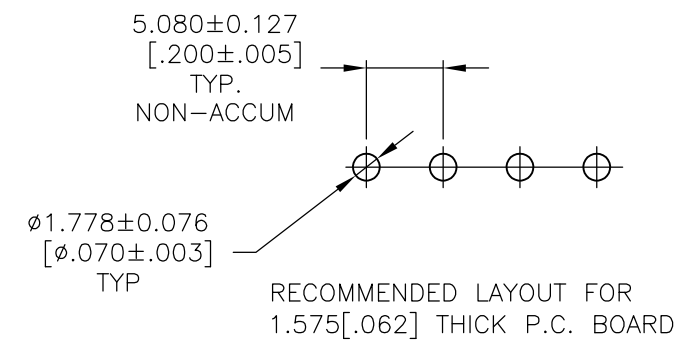


THIS DRAWING IS UNPUBLISHED. RELEASED FOR PUBLICATION
 © COPYRIGHT BY TYCO ELECTRONICS CORPORATION. ALL RIGHTS RESERVED.

LOC	DIST	REVISIONS					
		P	LTR	DESCRIPTION	DATE	DWN	APVD
CM	00		0	RELEASED PER 0G3B-1134-04	11OCT05	HMR	DC
			01	REVISED PER ECO-10-000443	18JAN10	KK	HMR



- PARTS MUST COMPLY WITH SOLDERABILITY SPEC. 109-11-3.
- CONTACT IS PLATED OVERALL WITH .000050 NICKEL, THEN .000030 GOLD OVER CONTACT LENGTH INDICATED AND MATTE TIN ON SOLDER TAIL END.
- OBSOLETE PARTS: OBSOLETE CIS STREAMLINING PER D.RENAUD/D.SINISI



OBSOLETE	5-1586534-2	NYLON-GREEN	COPPER ALLOY-GOLD
	1586534-2	NYLON-NATURAL	COPPER ALLOY-GOLD
	ASSEMBLY NO.	HSG, MATL& COLOR	PIN MATL & FINISH

THIS DRAWING IS A CONTROLLED DOCUMENT.		DWN RAGHU 11OCT2005	Tyco Electronics Corporation Harrisburg, PA 17105-3608	
DIMENSIONS: mm [INCHES]	TOLERANCES UNLESS OTHERWISE SPECIFIED:	CHK D. COLEY 18OCT2005	NAME 4 CIRCUIT COMMERCIAL MATE-N-LOK (TM) HEADER	
	0 PLC ± -	APVD K. WHITAKER 18OCT2005	PRODUCT SPEC	
	1 PLC ± -		APPLICATION SPEC	
	2 PLC ± -		SIZE	CAGE CODE
	3 PLC ± -		DRAWING NO	
	4 PLC ± -		RESTRICTED TO	
	ANGLES ± -		A3 00779 C-1586534	
MATERIAL SEE TABLE	FINISH SEE TABLE	WEIGHT -	SCALE 2:1 SHEET 1 OF 1 REV 01	
		CUSTOMER DRAWING		

METRIC