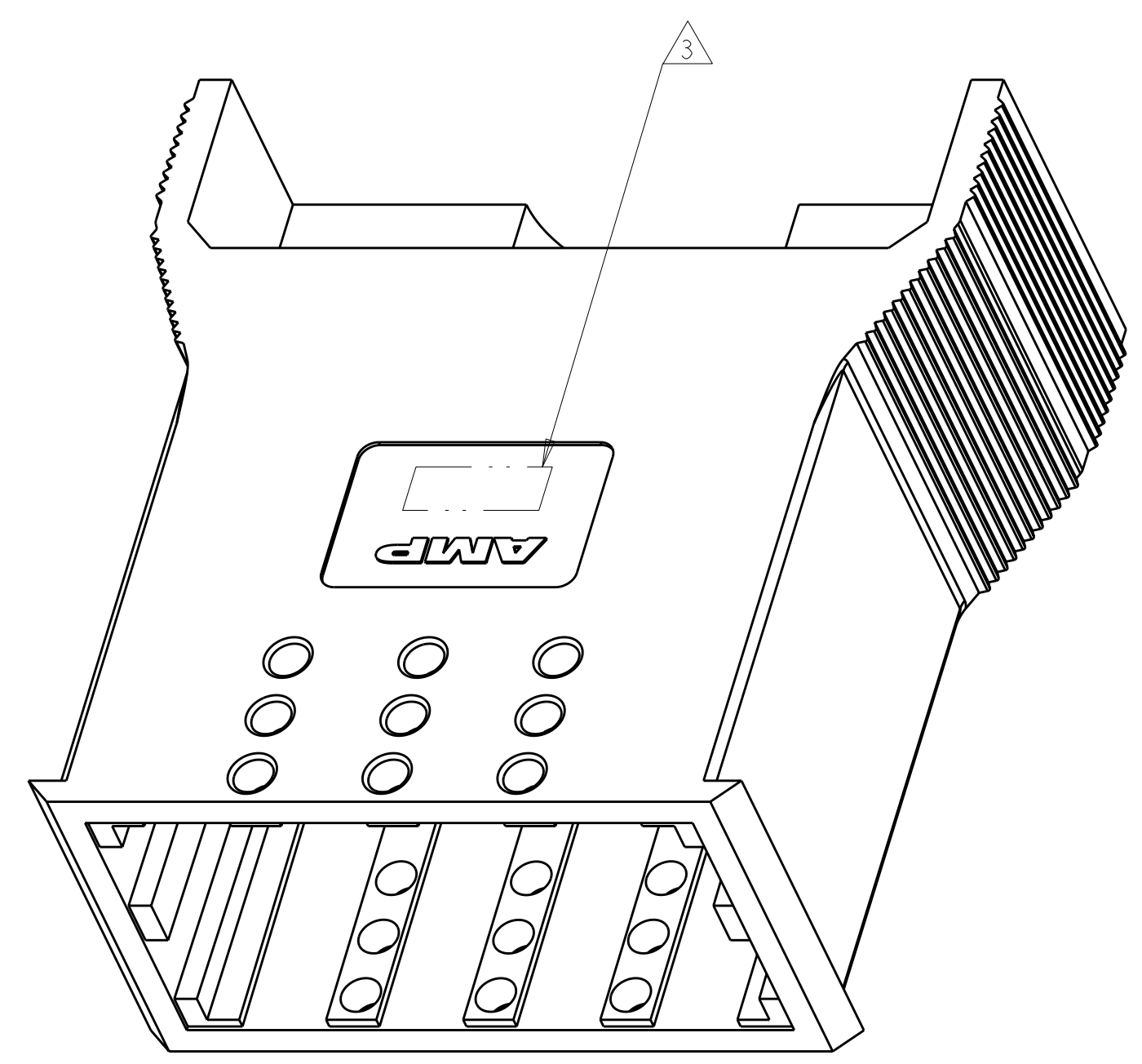
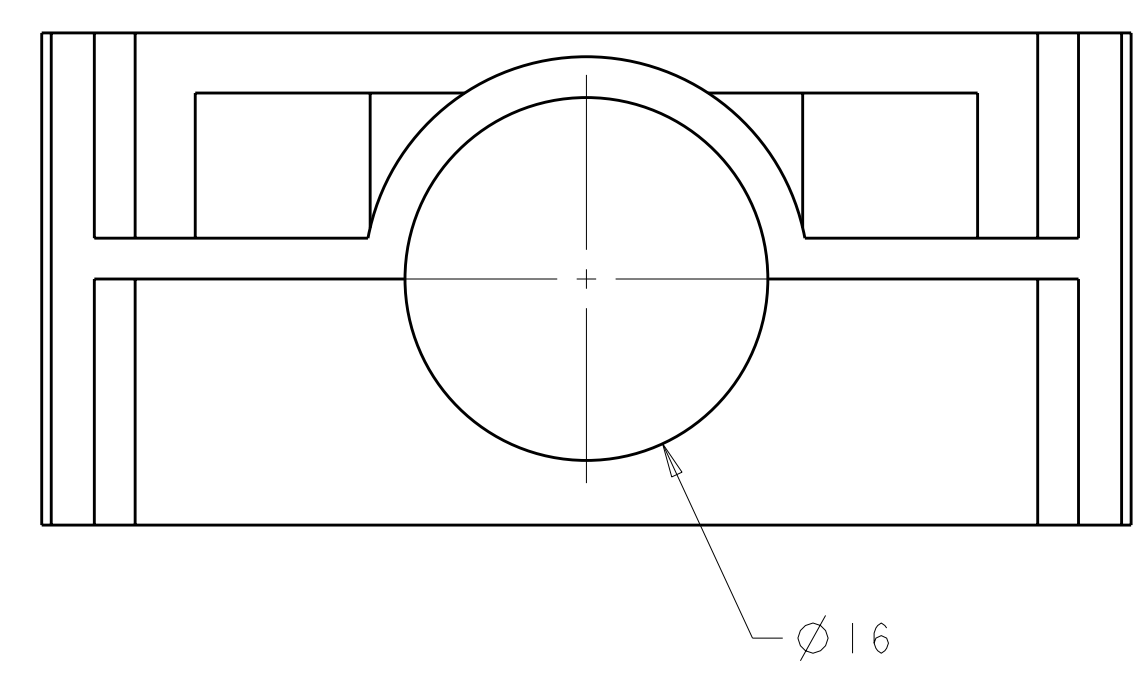
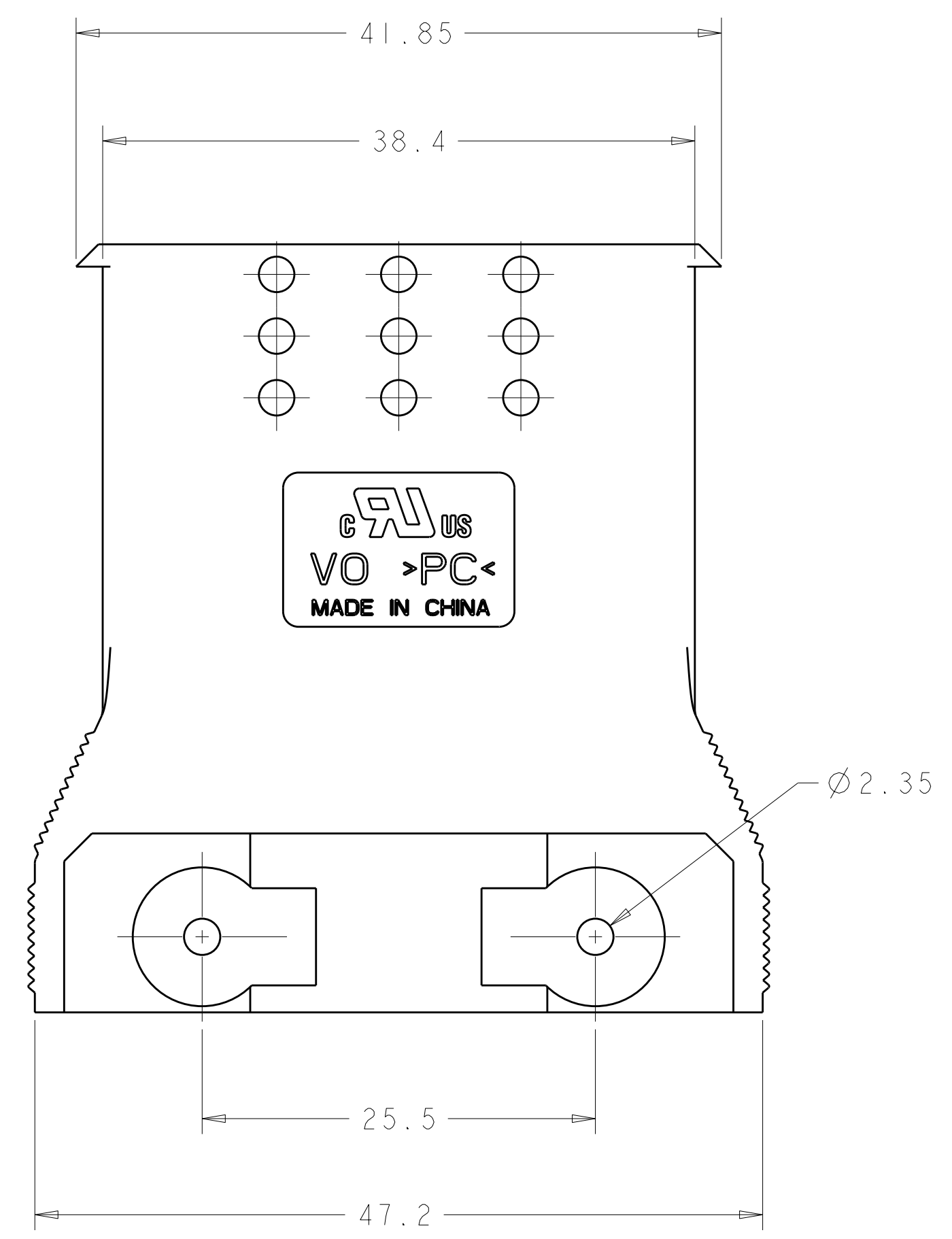
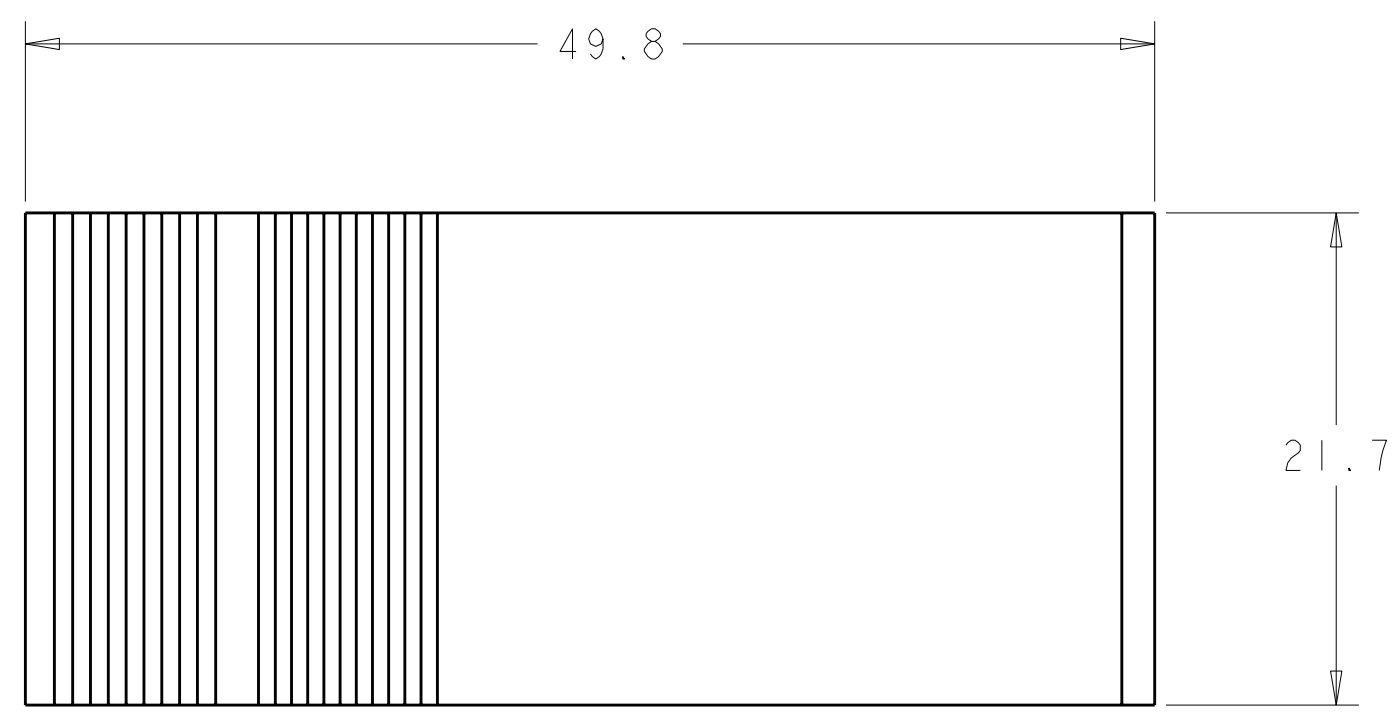


LOC		DIST		REVISIONS			
FT	0	REV	DATE	DESCRIPTION	DATE	DWN	APVD
		B		REVISED PER ECO-11-005167	03JUN2011	HMR	DY



1. MATERIAL: POLYCARBONATE 94-V0
2. COLOR: BLACK
3. TE OR TE CONNECTIVITY LOGO LOCATED APPROX IN THIS AREA.



1604082-1
PART NUMBER

THIS DRAWING IS A CONTROLLED DOCUMENT.		DWN B. HAYMAKER 09JAN2002	NAME	
DIMENSIONS:		CHK K. KETELSLEGER 14MAR02	HOUSING, 2X4 POWER SERIES PLUG WITHOUT LATCH	
TOLERANCES UNLESS OTHERWISE SPECIFIED:		APVD K. KETELSLEGER 14MAR02	RESTRICTED TO	
mm	0 PLC ±0.13 1 PLC ±0.13 2 PLC ±0.13 3 PLC ±0.13 4 PLC ±0.13	PRODUCT SPEC	SIZE CAGE CODE DRAWING NO	
ANGLES		APPLICATION SPEC	A100779C=1604082	
FINISH		WEIGHT	SCALE 3:1 SHEET 1 OF 1 REV B	
MATERIAL		CUSTOMER DRAWING		