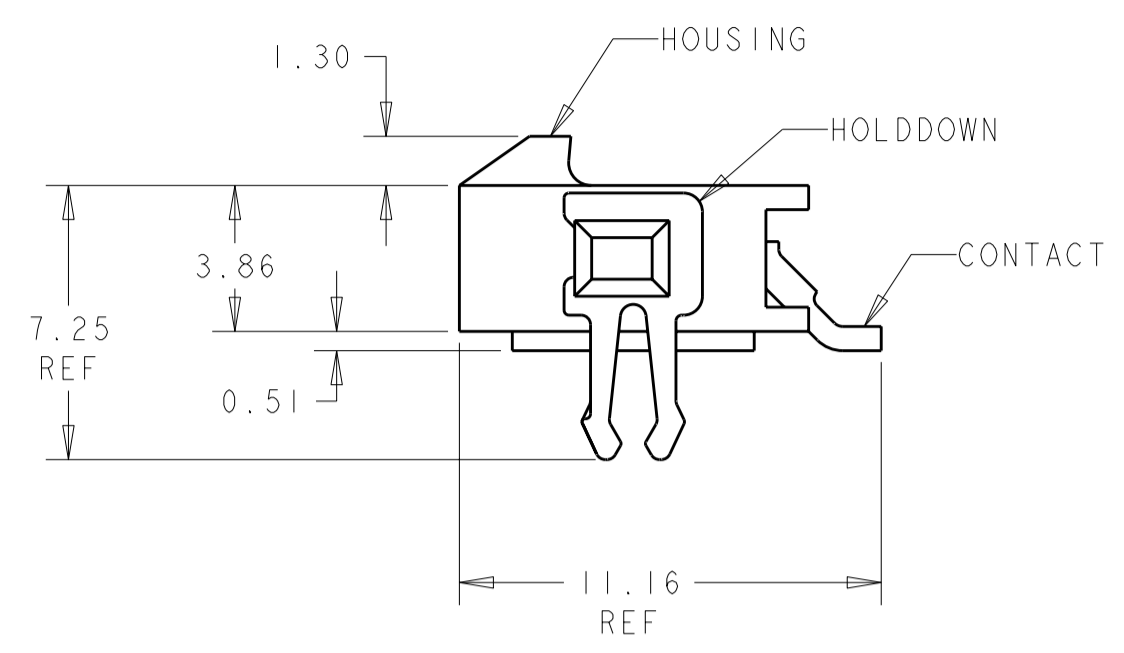
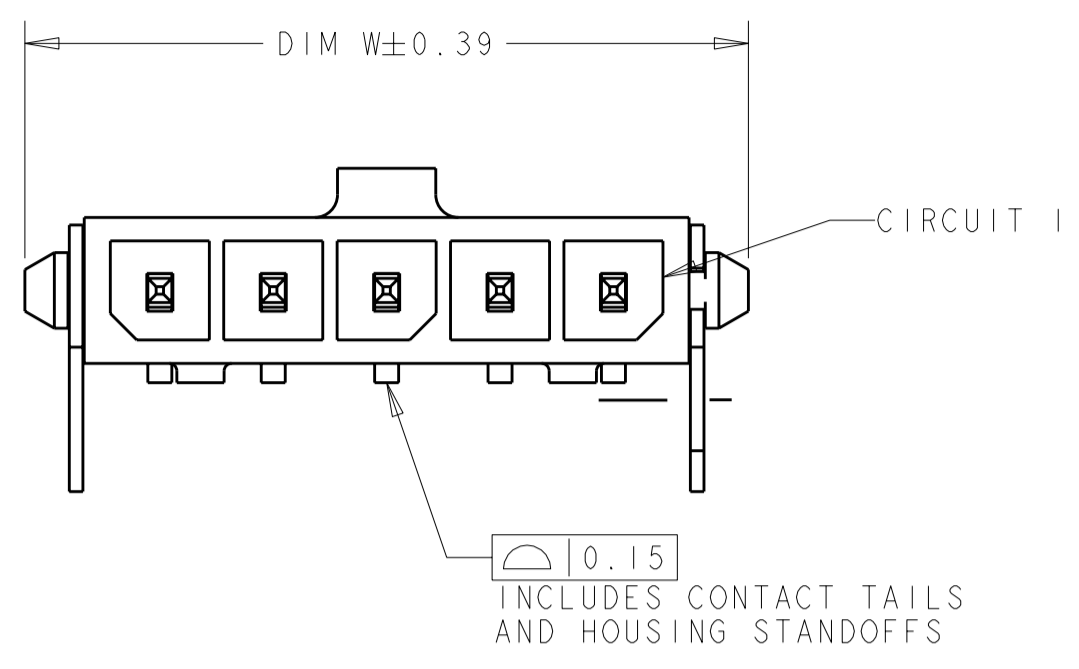
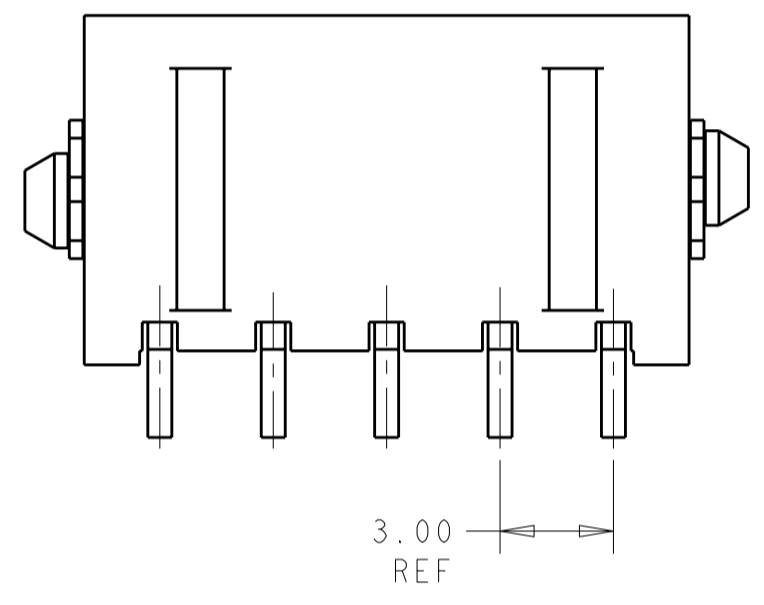


THIS DRAWING IS UNPUBLISHED. RELEASED FOR PUBLICATION 2011  
 © COPYRIGHT 2011 ALL RIGHTS RESERVED.

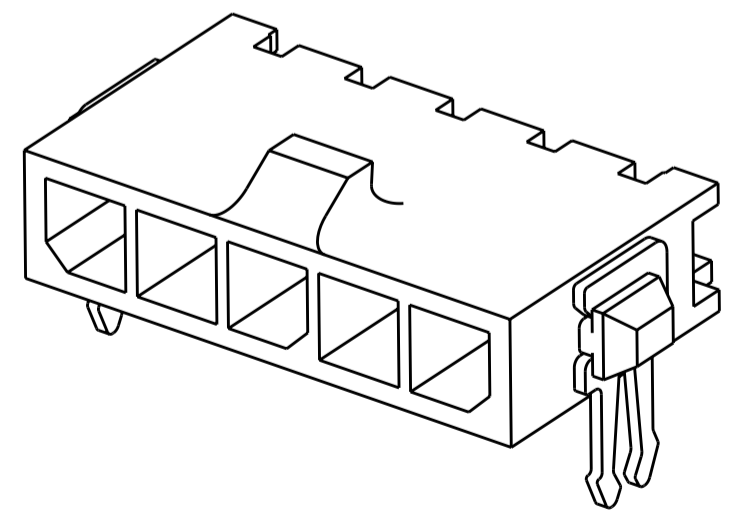
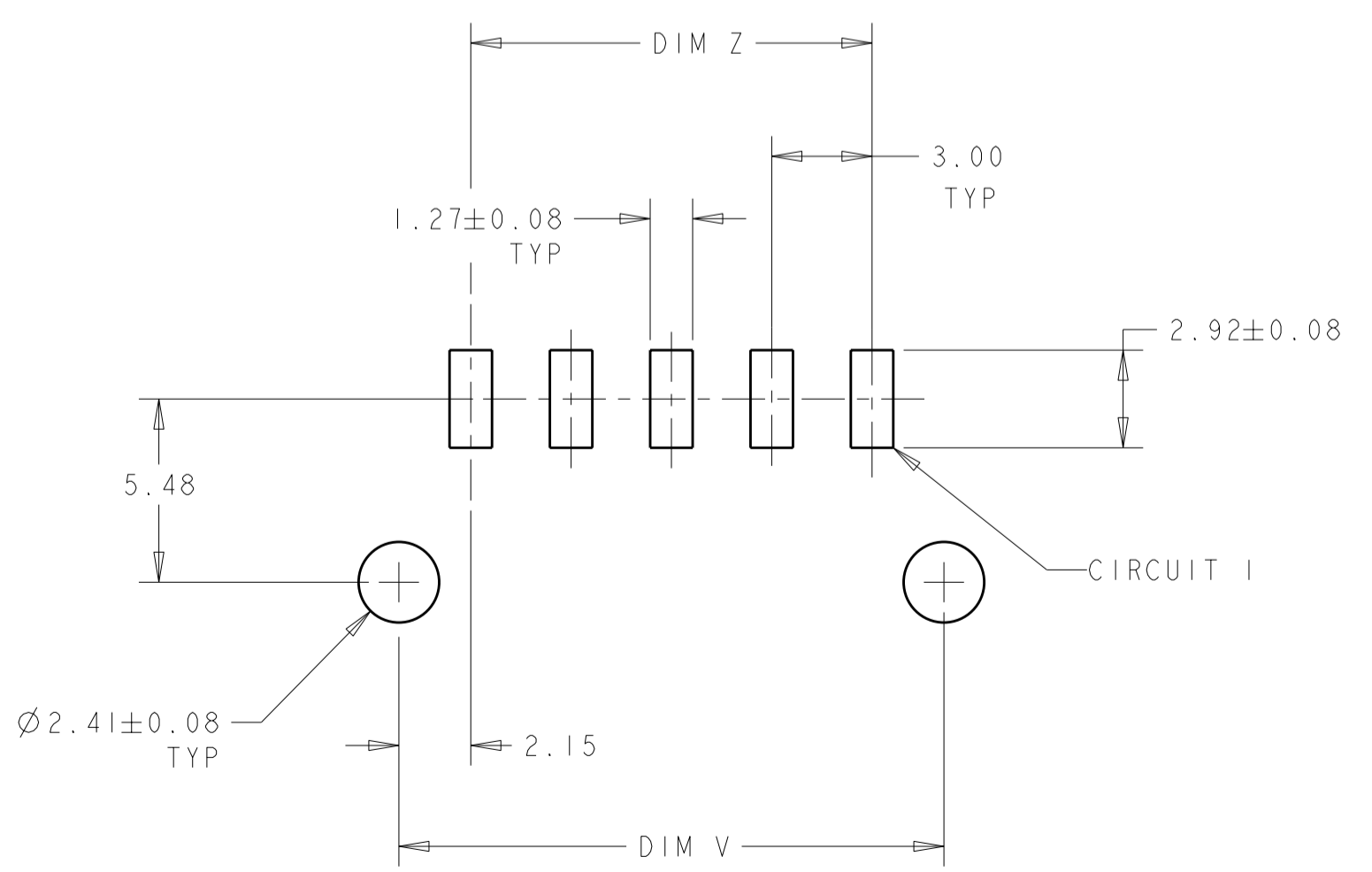
LOC	DIST	REVISIONS			
P	LTR	DESCRIPTION	DATE	DWN	APVD
CM	00	BI	REVISED PER ECO-11-005027	17MAY2011	RK HMR



- 1 MATERIAL: CONTACTS - BRASS  
HOUSING - UL 94V-0 RATED HIGH TEMP NYLON, COLOR BLACK.  
HOLDDOWNS: - PHOSPHOR BRONZE.
- 2 PLATING: CONTACTS - 0.76µm MINIMUM GOLD ON MATING END,  
2.54µm MINIMUM TIN LEAD ON SOLDER TAILS, BOTH OVER  
1.27µm MINIMUM NICKEL.  
HOLDDOWNS: 2.54µm MINIMUM MATTE TIN OVER 1.27µm MINIMUM NICKEL.
- 4 RECOMMENDED PC BOARD THICKNESS OF 1.57.
- 5 PLATING: CONTACTS - 0.76µm MINIMUM GOLD ON MATING END,  
2.54µm MINIMUM MATTE TIN ON SOLDER TAILS, BOTH OVER  
1.27µm MINIMUM NICKEL.  
HOLDDOWNS: 2.54µm MINIMUM MATTE TIN OVER 1.27µm MINIMUM NICKEL.



FINISH	DIM Z	DIM V	DIM W	NO. OF POSN	PART NUMBER
5	33.00	37.43	40.00	12	3-1445099-2
5	30.00	34.43	37.00	11	3-1445099-1
5	27.00	31.43	34.00	10	3-1445099-0
5	24.00	28.43	31.00	9	2-1445099-9
5	21.00	25.43	28.00	8	2-1445099-8
5	18.00	22.43	25.00	7	2-1445099-7
5	15.00	19.43	22.00	6	2-1445099-6
5	12.00	16.43	19.00	5	2-1445099-5
5	9.00	13.43	16.00	4	2-1445099-4
5	6.00	10.43	13.00	3	2-1445099-3
5	3.00	7.43	10.00	2	2-1445099-2
2	33.00	37.43	40.00	12	1-1445099-2
2	30.00	34.43	37.00	11	1-1445099-1
2	27.00	31.43	34.00	10	1-1445099-0
2	24.00	28.43	31.00	9	1445099-9
2	21.00	25.43	28.00	8	1445099-8
2	18.00	22.43	25.00	7	1445099-7
2	15.00	19.43	22.00	6	1445099-6
2	12.00	16.43	19.00	5	1445099-5
2	9.00	13.43	16.00	4	1445099-4
2	6.00	10.43	13.00	3	1445099-3
2	3.00	7.43	10.00	2	1445099-2



PCB LAYOUT COMPONENT SIDE 1



THIS DRAWING IS A CONTROLLED DOCUMENT. DWN J.ROOT 09OCT2000

CHK K. WHITAKER 17-APR-2001

APVD C. JONES 17-APR-2001

TE Connectivity

RIGHT ANGLE SURFACE MNT HEADER ASSY, 0.76 MIC GOLD CONTACTS, W/THRU HOLE HOLDDOWNS, SGL ROW, MICRO MATE-N-LOK

SIZE A2 CAGE CODE 00779 DRAWING NO. 1445099

RESTRICTED TO Y

SCALE 5:1 SHEET 1 OF 1 REV BI

MATERIAL 1- SEE TABLE

PRODUCT SPEC -

APPLICATION SPEC -

WEIGHT -

CUSTOMER DRAWING