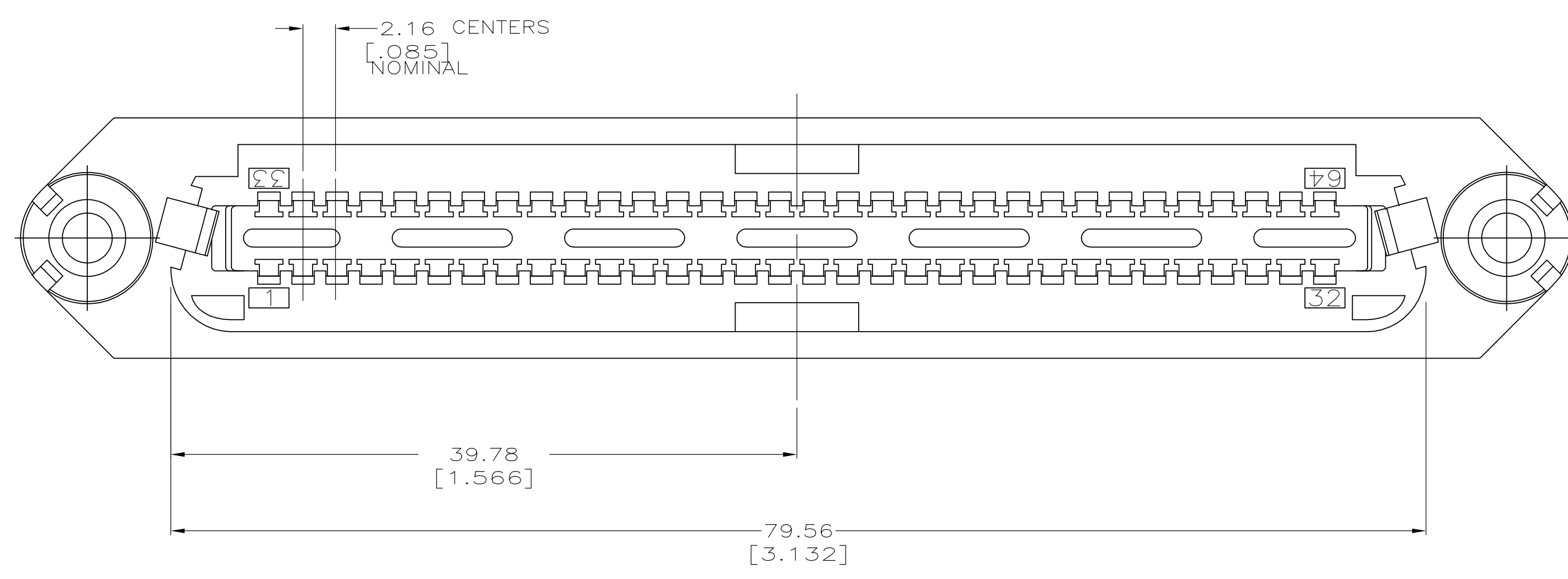
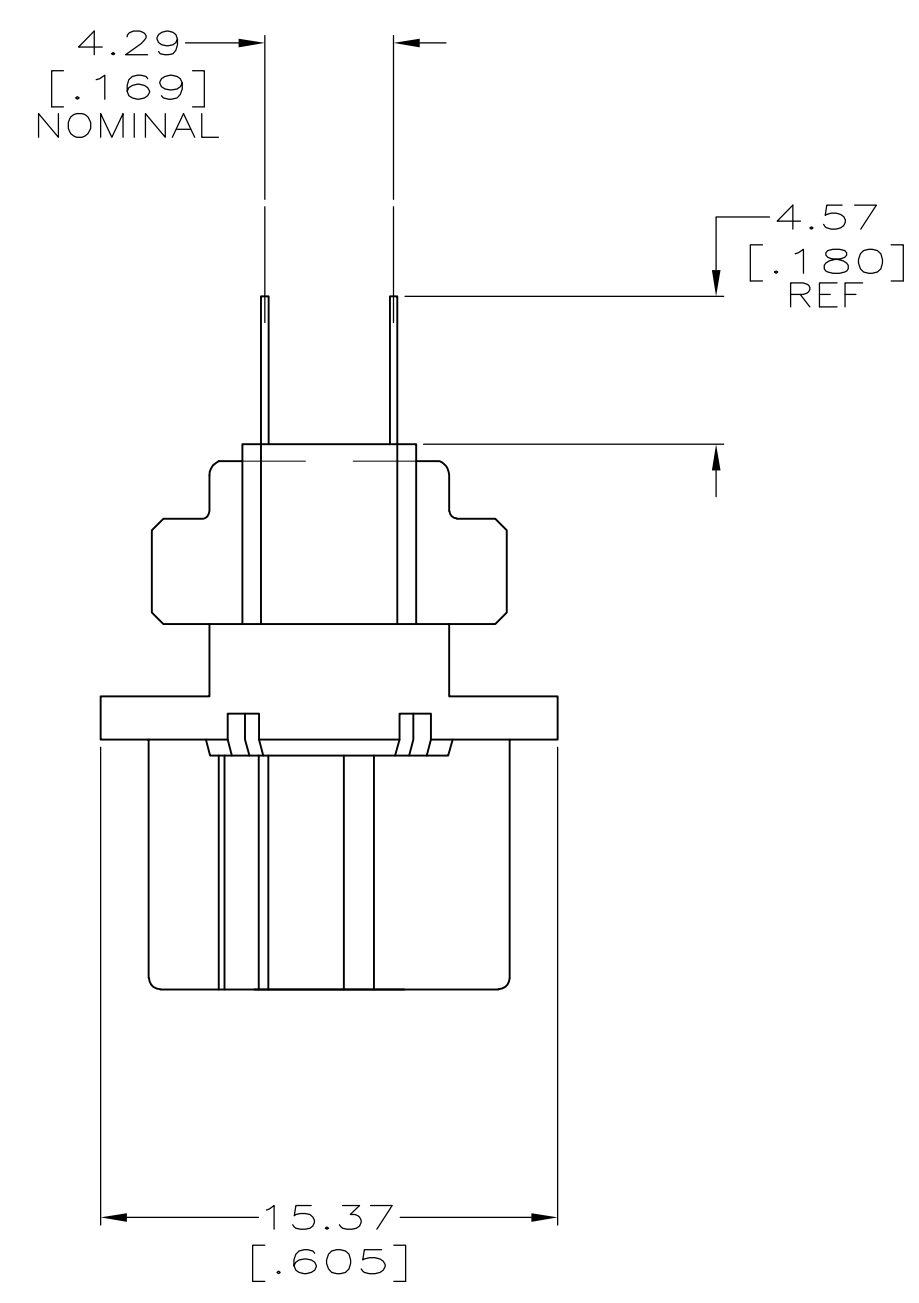
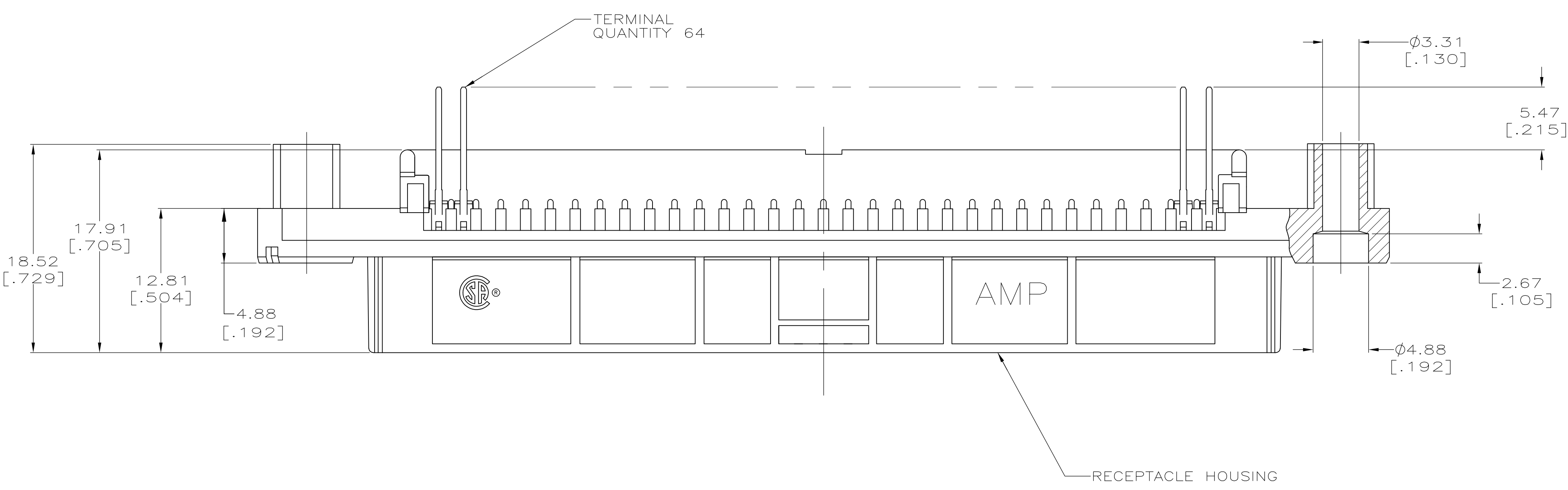
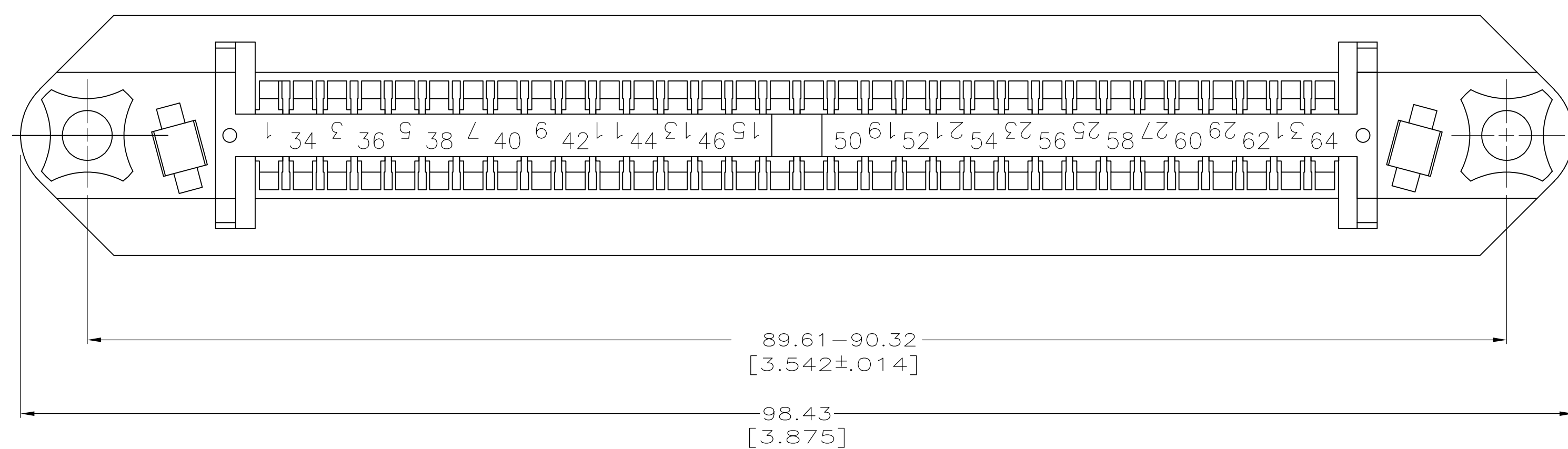


LOC		DIST		REVISIONS			
GP	00	REV	DATE	BY	APP'D	DATE	BY
B		REVISED PER ECO-08-007327	22JUL08	BM	WM		

- THE CONTACT SURFACES OF THE TERMINALS ARE COATED WITH LUBRICANT.
- DIMENSIONS SHOWN ARE MAXIMUM UNLESS OTHERWISE SPECIFIED.
- MATERIAL: HOUSING - THERMOPLASTIC, BLACK.
 TERMINAL - PHOS BRONZE PLATED WITH EITHER 0.76μm [.000030] MINIMUM GOLD PLATE OR GOLD FLASH OVER PALLADIUM NICKEL PLATE, 0.76μm [.000030] MINIMUM TOTAL ON MATING SURFACE. 3.05μm [.000120] MINIMUM TIN PLATE ON TAILS OVER 1.27μm [.000050] MINIMUM NICKEL UNDERPLATE OVER ENTIRE TERMINAL.



5552246-1
PART NUMBER

THIS DRAWING IS A CONTROLLED DOCUMENT.		OWN: B. LATTUCA 12AUG05	Tyco Electronics Corporation Harrisburg, Pa 17105-3608
DIMENSIONS: INCHES		CHK: W. MILLHIMES 12AUG05	
TOLERANCES UNLESS OTHERWISE SPECIFIED:		APPR: M. WALMSL 12AUG05	NAME: RECEPTACLE ASSEMBLY, 64 POSITION, VERTICAL MOUNTING.
0 PLC ± -	1 PLC ± -	2 PLC ± -	APPLICATION SPEC
3 PLC ± -	4 PLC ± -	ANGLES ± -	RESTRICTED TO
MATERIAL	FINISH	WEIGHT	SIZE: A1 00779 C=5552246
CUSTOMER DRAWING		SCALE: 4:1	SHEET 1 OF 1 REV B