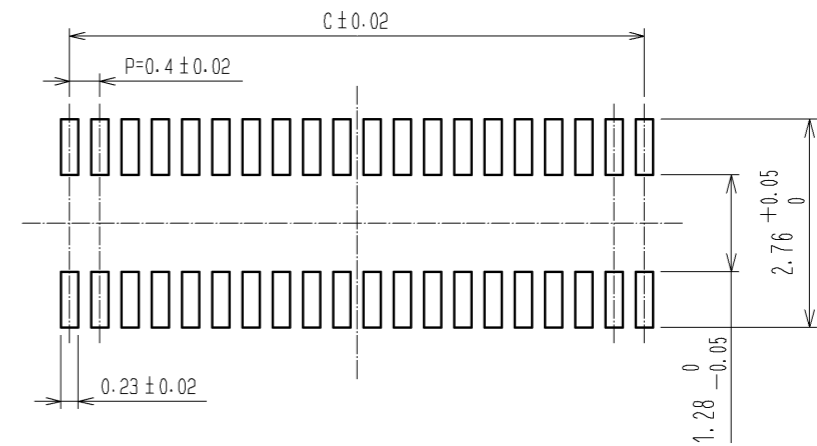


RECOMMENDED PATTERN



RECOMMENDED SOLDER PASTE : THICKNESS 120µm

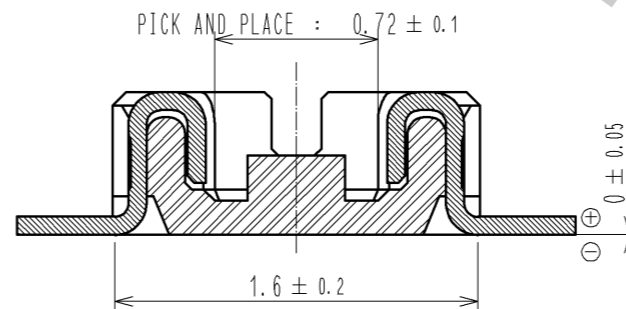
- NOTE 1. ALL LEADS CO-PLANARITY SHALL BE 0.1 MAX.
 2. PER REEL : 1000 CONNECTORS.
 3. AT THE BEGINNING OF THE REEL, 100 mm AT MIN SHALL BE EMPTY POCKETS.
 AT THE END OF THE REEL, 160 mm AT MIN SHALL BE EMPTY.

4 CONTACT PLATING SPECIFICATIONS.

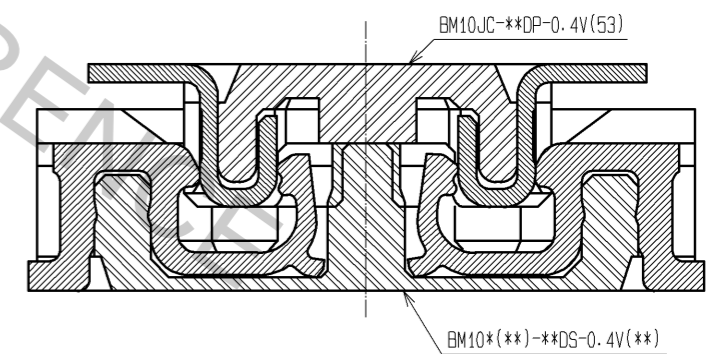
CONTACT AREA : GOLD 0.05µm MIN.
 SMT LEAD : GOLD 0.05µm MIN.
 UNDERPLATING : NICKEL 1µm MIN.
 (SURFACE : SEALING)

PART No.	CODE No.	B	C	D
BM10JC-10DP-0.4V(53)	CL684-6062-3-53	3.32	1.6	0.8
BM10JC-16DP-0.4V(53)	CL684-6060-8-53	4.52	2.8	1.6
BM10JC-20DP-0.4V(53)	CL684-6058-6-53	5.32	3.6	1.6
BM10JC-24DP-0.4V(53)	CL684-6050-4-53	6.12	4.4	2.0
BM10JC-30DP-0.4V(53)	CL684-6052-0-53	7.32	5.6	2.0
BM10JC-34DP-0.4V(53)	CL684-6064-9-53	8.12	6.4	2.4
BM10JC-40DP-0.4V(53)	CL684-6054-5-53	9.32	7.6	2.4
BM10JC-44DP-0.4V(53)	CL684-6074-2-53	10.12	8.4	2.8
BM10JC-50DP-0.4V(53)	CL684-6066-4-53	11.32	9.6	2.8
BM10JC-60DP-0.4V(53)	CL684-6056-0-53	13.32	11.6	3.2
BM10JC-80DP-0.4V(53)	-	17.32	15.6	4.0

A-A



ENGAGEMENT FIGURE

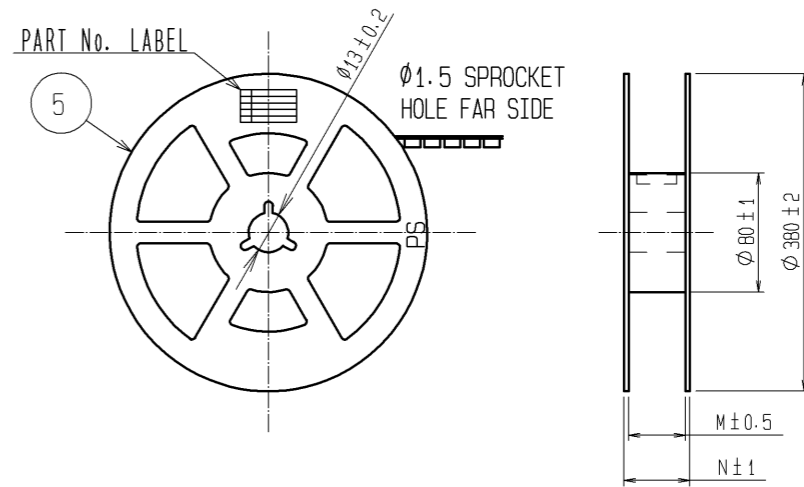


2	PHOSPHOR BRONZE	4	PS	PLASTIC REEL (BLACK)					
1	LCP	UL94V-0. BLACK	4	POLYESTER	CLEAR (COVER TAPE)				
			3	PS	CLEAR (EMBOSSED CARRIER TAPE)				
NO.	MATERIAL	FINISH . REMARKS	NO.	MATERIAL	FINISH . REMARKS				
UNITS	mm	SCALE	10 : 1	COUNT	3	DESCRIPTION OF REVISIONS	DESIGNED	CHECKED	DATE
						DIS-H-004474	MH. TAKESHITA	TS. MIYAZAKI	10.02.05
APPROVED : KH. IKEDA		09.06.09		DRAWING NO.		EDC3-321364-53			
CHECKED : KY. MIDORIKAWA		09.06.09		PART NO.		BM10JC-*DP-0.4V(53)			
DESIGNED : SH. HOSODA		09.06.08		CODE NO.		CL684			
DRAWN : SH. HOSODA		09.03.03							

EMBOSED CARRIER TAPE DIMENSIONS (5:1)

B-B

STYLE AND DIMENSION OF REEL (FREE SIZE)

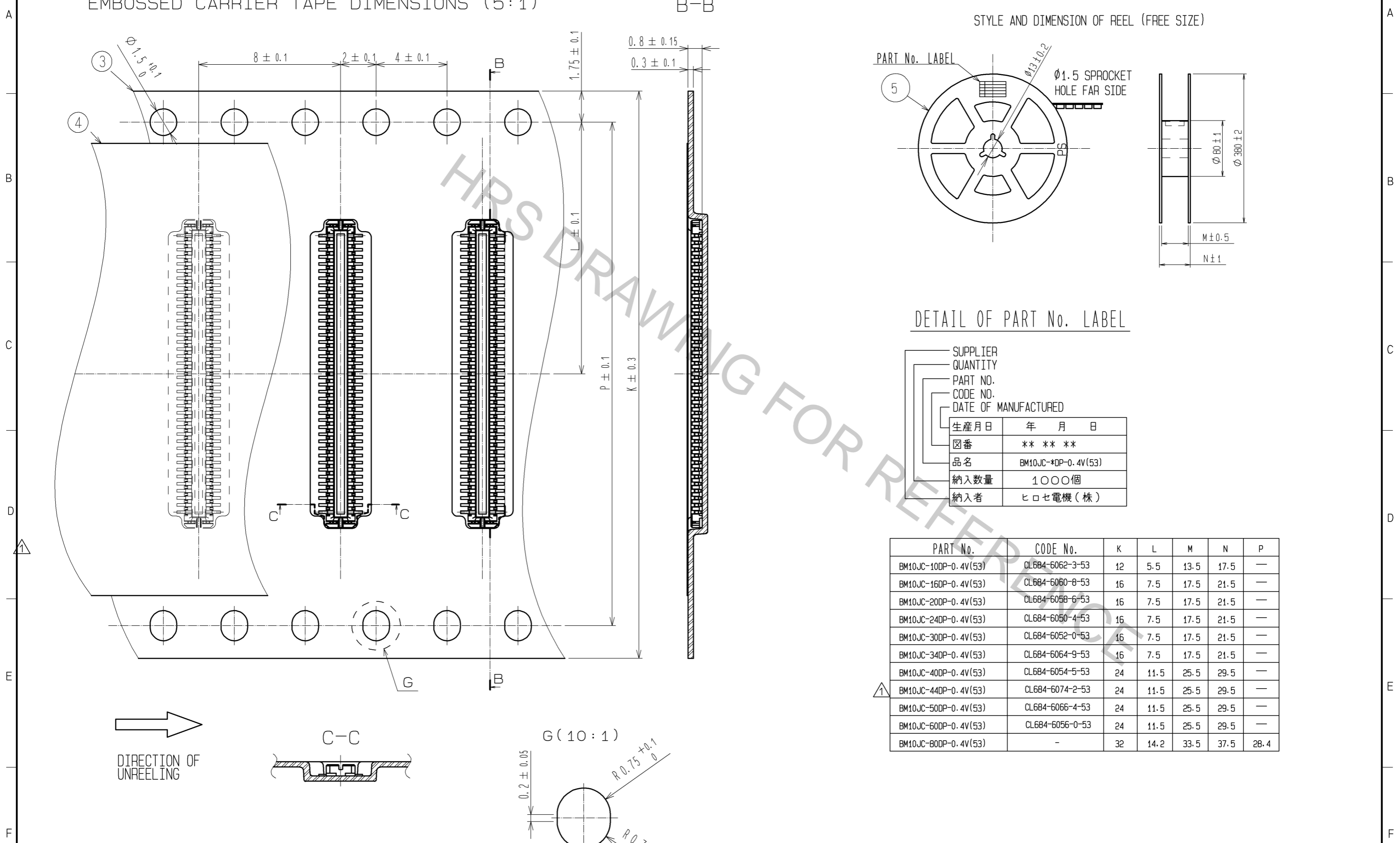
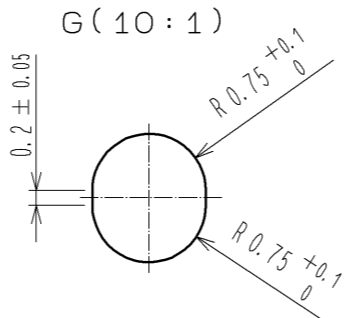
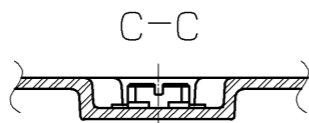


DETAIL OF PART No. LABEL

SUPPLIER	HIROSE ELECTRIC CO., LTD.
QUANTITY	1000
PART NO.	BM10JC- <i>DP</i> -0.4V(53)
CODE NO.	CL684
DATE OF MANUFACTURED	年月日
生産月日	年月日
図番	** ** *
品名	BM10JC- <i>DP</i> -0.4V(53)
納入数量	1000個
納入者	ヒロセ電機(株)

PART No.	CODE No.	K	L	M	N	P
BM10JC-10DP-0.4V(53)	CL684-6062-3-53	12	5.5	13.5	17.5	—
BM10JC-16DP-0.4V(53)	CL684-6060-8-53	16	7.5	17.5	21.5	—
BM10JC-20DP-0.4V(53)	CL684-6058-6-53	16	7.5	17.5	21.5	—
BM10JC-24DP-0.4V(53)	CL684-6050-4-53	16	7.5	17.5	21.5	—
BM10JC-30DP-0.4V(53)	CL684-6052-0-53	16	7.5	17.5	21.5	—
BM10JC-34DP-0.4V(53)	CL684-6064-9-53	16	7.5	17.5	21.5	—
BM10JC-40DP-0.4V(53)	CL684-6054-5-53	24	11.5	25.5	29.5	—
BM10JC-44DP-0.4V(53)	CL684-6074-2-53	24	11.5	25.5	29.5	—
BM10JC-50DP-0.4V(53)	CL684-6066-4-53	24	11.5	25.5	29.5	—
BM10JC-60DP-0.4V(53)	CL684-6056-0-53	24	11.5	25.5	29.5	—
BM10JC-80DP-0.4V(53)	-	32	14.2	33.5	37.5	28.4

DIRECTION OF UNREELING



HRS	DRAWING NO.	EDC3-321364-53
	PART NO.	BM10JC- <i>DP</i> -0.4V(53)
	CODE NO.	CL684