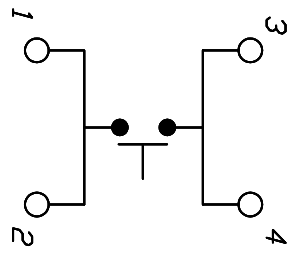
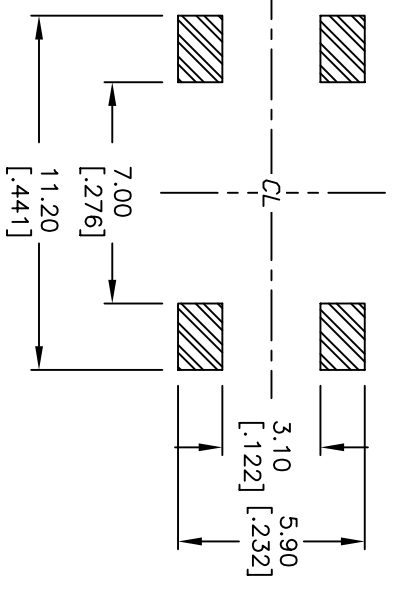


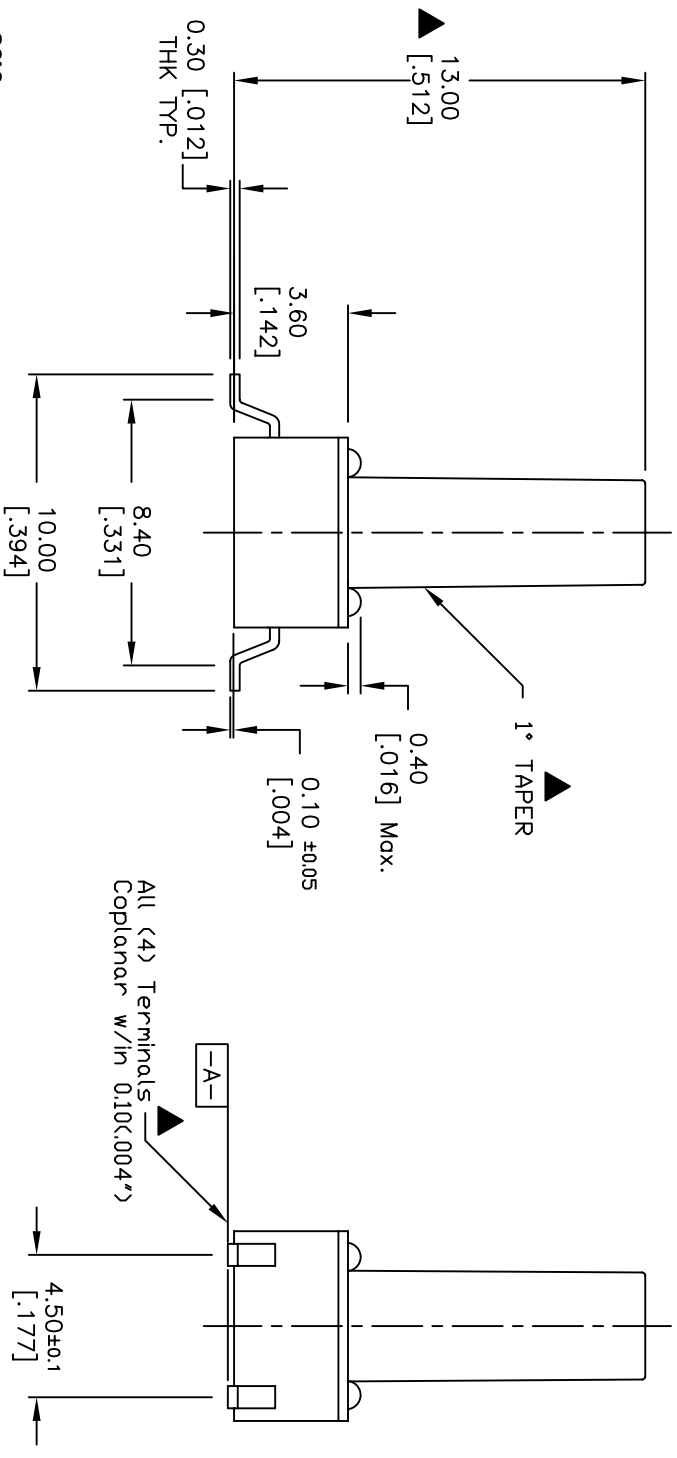
RECOMMENDED MOUNTING PAD



CIRCUIT: SPST

NOTES:

1. ALL DIMENSIONS IN MM [INCH]
2. GENERAL TOLERANCE: X.X=±0.4 X.XX=±0.25
3. TERM. NOS. FOR REFERENCE ONLY.
4. RATINGS: 12VDC, 50mA
5. CONTACT MATERIAL: Silver
6. OPERATING TEMPERATURE: -40°C to +80°C
7. OPERATING FORCE: 100±50gf
8. TRAVEL: 0.25±0.1mm
9. BODY & STEM: HIGH TEMP PLASTIC PPS (UL94V0) VALOX
10. CONTACT RESISTANCE: 100 MILLI-OHMS Max.
11. ELECTRICAL LIFE: 100,000 CYCLES min.
12. ▲ DESIGNATE MAJOR FEATURE:
13. PACKAGED: TAPE/REEL



All (4) Terminals Coplanar w/in 0.10(.004")



REV. A		ECN NO. 12264		RELEASED FOR PRODUCTION		6/26/02		CJB	
TITLE		DESCRIPTION		DATE		CHKD		SCALE	
TL3301D F100 Q G		THE INFORMATION CONTAINED IN THIS DOCUMENT IS PROPRIETARY TO E-SWITCH AND IS NOT TO BE COPIED OR TRANSFERRED		6/26/02		CB		4:1	
DR		DWG		DATE		REV		SCALE	
CB		P010614		6/26/02		A		4:1	