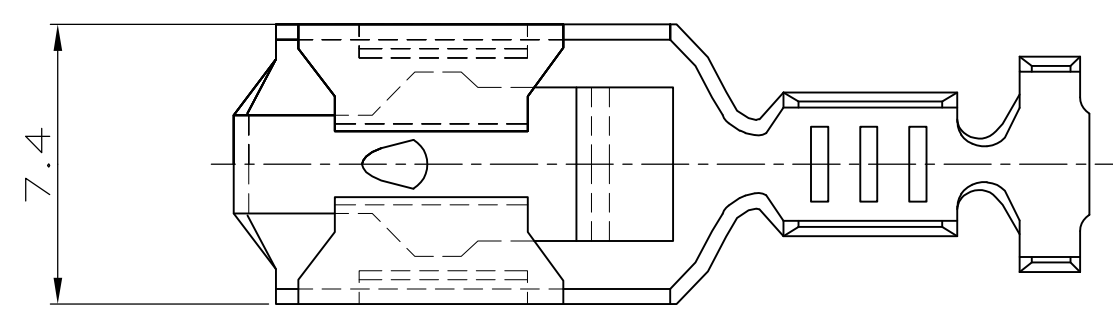
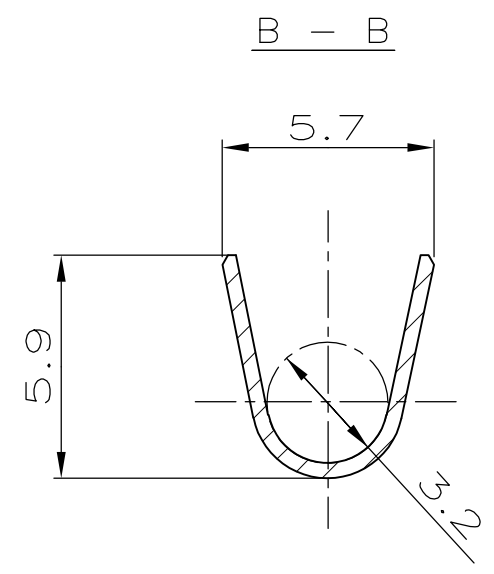
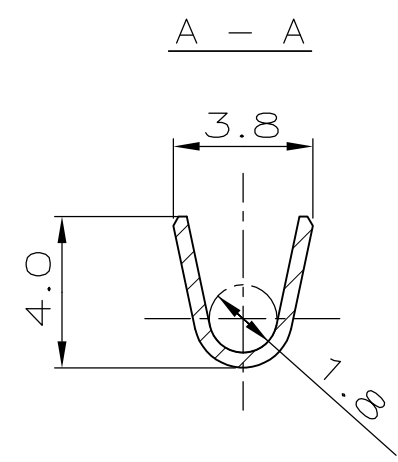
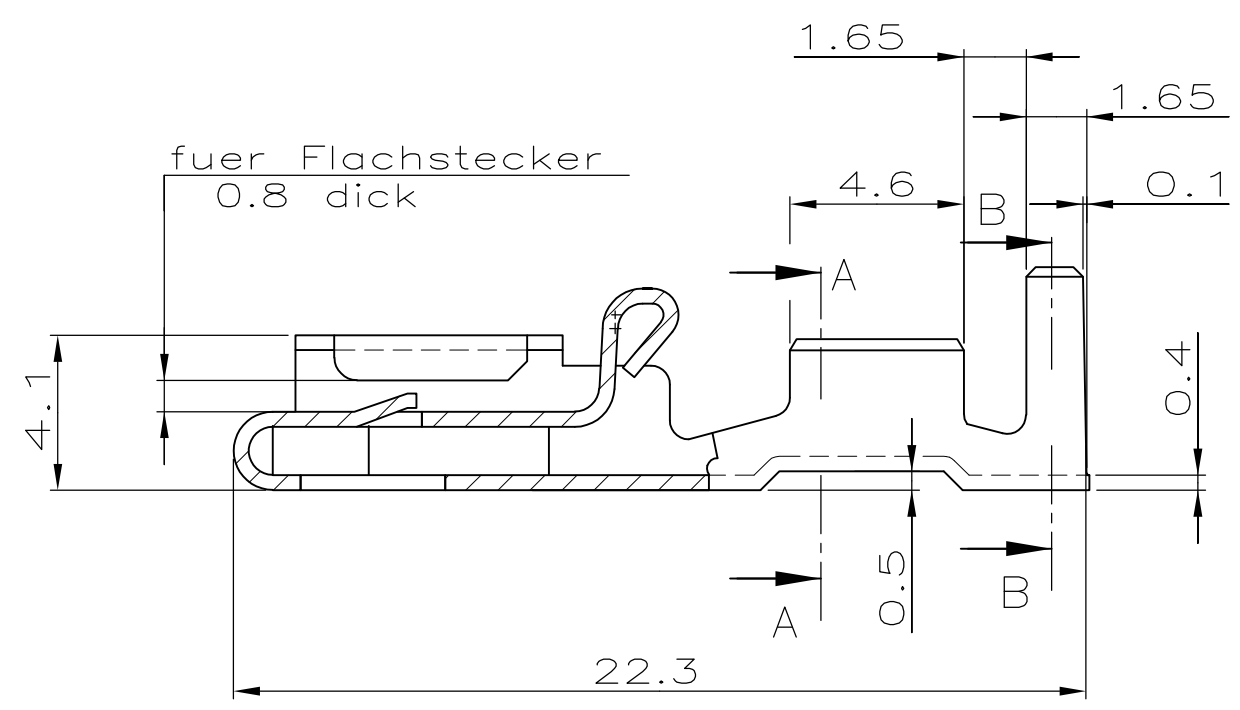


THIS DRAWING IS UNPUBLISHED. VERTRÄULICHE UNVERÖFFENTLICHTE ZEICHNUNG. RELEASED FOR PUBLICATION FREI FUER VERÖFFENTLICHUNG. MATED WITH: PASSEND ZU: -

© COPYRIGHT 19- BY AMP INCORPORATED. ALL RIGHTS RESERVED. ALLE RECHTE VORBEHALTEN.

| LOC | DIST | P | LTR | REVISIONS AENDERUNGEN | DATE | DWN | APVD |
|----------------|------|---|-----|--------------------------|-----------|-----|------|
| AI | - | | | DESCRIPTION BESCHREIBUNG | 24NOV2010 | PKS | MP |
| PROJEKT NR.: - | | | | PART STATUS UPDATED | | | |



REMARKS
Bemerkungen

- 1 Leiter/WIRE:FLK
- 2 Leiter/WIRE:F-CRIMP
- 3 Isolation/INS.:F-CRIMP
- 4 DGB/WIRE SIZE: >1...2.5mm²
- 5 ALL PARTS SPLICEFREE
- △ OBSOLETE

| △ | DESCRIPTION | MATERIAL | LOOSE PIECE PART NO | TE PART NO | REV. |
|---|-------------------------|----------|---------------------|------------|------|
| 6 | versilbert SILVER PLATE | CuZn30 | 927882-9 | 927881-9 | C |
| 6 | versilbert SILVER PLATE | CuSn4 | 927882-8 | 927881-8 | C |
| 6 | vorverzinkt PRE TIN | CuSn4 | 927882-7 | 927881-7 | C |
| 6 | verzinkt ELECTROTIN | CuZn30 | 927882-6 | 927881-6 | C |
| 6 | blank PLAIN | CuSn6 | 927882-5 | 927881-5 | C |
| 6 | verzinkt ELECTROTIN | CuSn4 | 927882-4 | 927881-4 | C |
| 6 | verzinkt ELECTROTIN | CuZn30 | 927882-3 | 927881-3 | C |
| | blank PLAIN | CuSn4 | 927882-2 | 927881-2 | C |
| | blank PLAIN | CuZn30 | 927882-1 | 927881-1 | C |
| | Oberflaeche SURFACE | MATERIAL | LOOSE PIECE PART NO | TE PART NO | REV. |

| Leitungsquerschnitt in mm ² CROSS-SECTION IN mm ² | | | | | | | | | | |
|--|---|-----|------|-----|-----|-----|-----|-----|-----|-----|
| Einzelanschluss SINGLE CONNECTION | | 0.5 | 0.75 | 1.0 | 1.5 | 2.0 | 2.5 | 3.0 | 4.0 | 5.0 |
| 0.5 | | | X | X | X | | | | | |
| 0.75 | | X | X | X | X | | | | | |
| 1.0 | | X | X | X | X | | | | | |
| 1.5 | X | X | X | X | | | | | | |
| 2.0 | | | | | | | | | | |
| 2.5 | X | | | | | | | | | |
| 3.0 | | | | | | | | | | |

THIS DRAWING IS A CONTROLLED DOCUMENT FOR TE INCORPORATED. IT IS SUBJECT TO CHANGE AND THE CONTROLLING ENGINEERING ORGANIZATION SHOULD BE CONTACTED FOR THE LATEST REVISION. DIESSES ZEICHNUNGSDOKUMENT WIRD DURCH TE INCORPORATED KONTROLLIERT. AENDERUNGEN, DIE DEM TECHNISCHEN FORTSCHRITT DIENEN, SIND VORBEHALTEN. DEN JEWELNS LETZTGUELTIGEN AENDERUNGSSTAND ERFAHREN SIE AUF ANFRAGE.

DIMENSIONS: DIMENSIONEN: mm

TOLERANCES UNLESS OTHERWISE SPECIFIED: ALLGEMEINTOLERANZEN

0 PLC ±-
1 PLC ±- ±0.2
2 PLC ±-
3 PLC ±-
ANGLES /WINKEL ±-
FINISH /OBERFLAECHE/FARBE -

MATERIAL -

DWN 18.9.84
Widder
CHK 08.10.84
Herth
APVD -NAME
PRODUCT SPEC
PRODUKTSPEZ.
APPLICATION SPEC
VERARBEITUNGSSPEZ.
114-18365
WEIGHT
GEWICHT 1.15g

Tyco Electronics Tyco Electronics AMP GmbH
D - 64625 Bensheim

Positive Lock - Steckhuelse
POSITIVE LOCK RECEPTACLE

SIZE A3 CAGE CODE 00779 DRAWING NO ZEICHNUNGS-NR. 927881 RESTRICTED TO NUR FUER -

CUSTOMER DRAWING /KUNDENZEICHNUNG MASSSTAB 5:1 BLATT 1 OF 1 REV CI