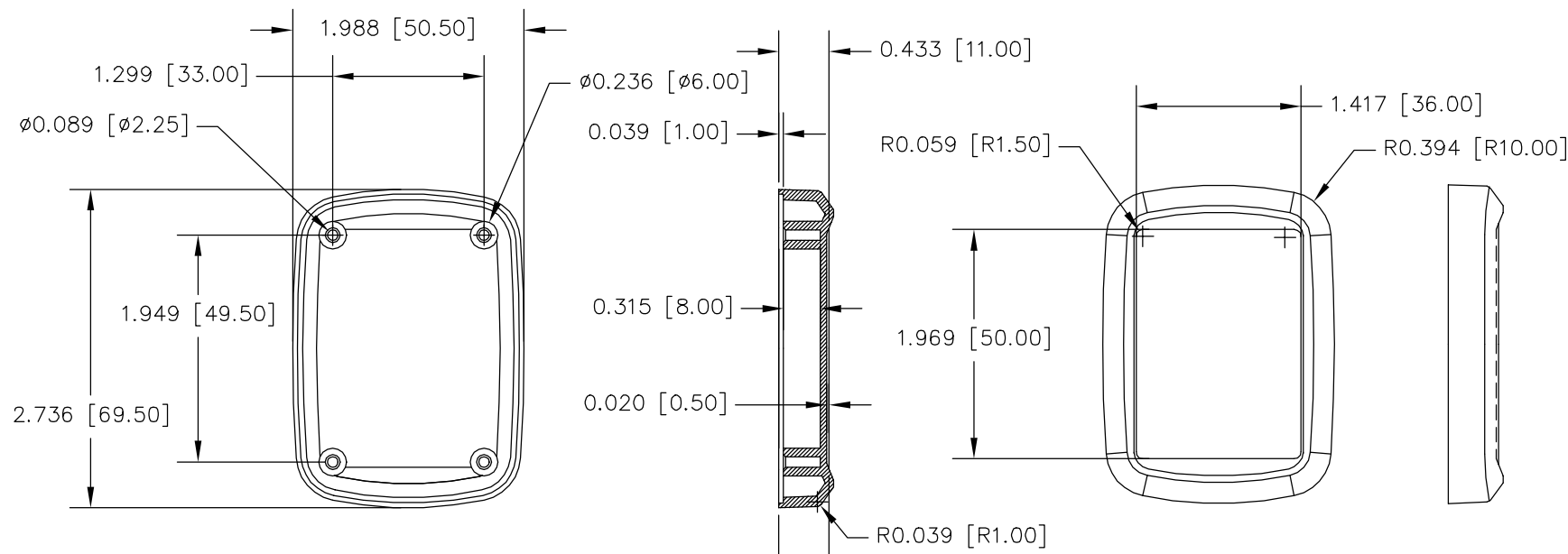
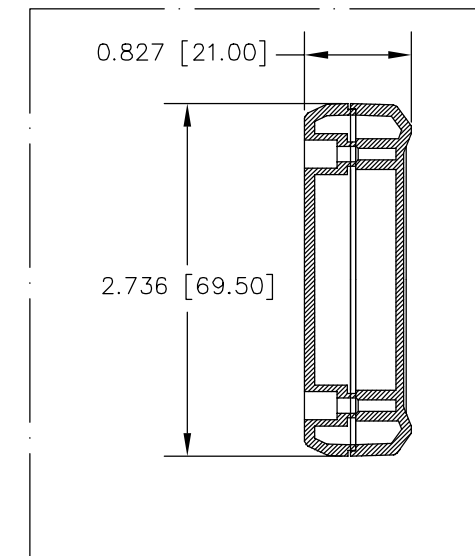


BASE



LID



MATERIAL : FLAME RETARDANT OF ABS ( UL94-V0 )  
 COLOR: BLACK  
 FINISH:  
 SHELL EXTERIOR SURFACES ARE TEXTURED.  
 RECESSED AREAS ON EXTERIOR ARE SMOOTH.  
 FOUR (4) INTERNAL BOSSES ON EACH SHELL ARE  
 DESIGNED TO TRAP PCB BETWEEN ASSEMBLED  
 SHELL HALVES.  
 FOUR (4) #4 SCREWS ARE SUPPLIED FOR ASSEMBLING SHELL HALVES  
 ALL DIMENSIONAL TOLERANCES ARE +/-0.015

ITEM	REQ'D.	PART NO.	DESCRIPTION
TOLERANCES:		MAT: NOTED	SCALE:
±0.005 BETWEEN HOLE CENTERS		FINISH: BLACK	BUD
±0.015 FROM SHEARED EDGE		DR. RD 10-13-08	
±0.032 FROM A BENT SURFACE		CH.	BUD INDUSTRIES, INC.
±0.063 BETWEEN ASSEMBLED SURFACES		APP.	WILLOUGHBY, OHIO
QTY.	USED ON	UNLESS OTHERWISE SPECIFIED	
			NAME: HAND-HELD BOX STYLE P 2.74 X 1.97 X .83
			DWG. NO. HH-3641