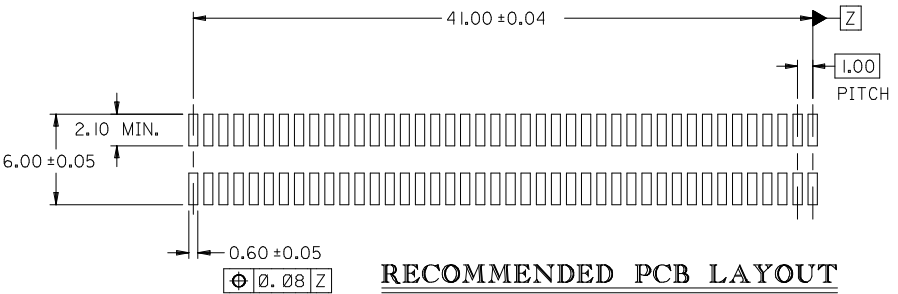
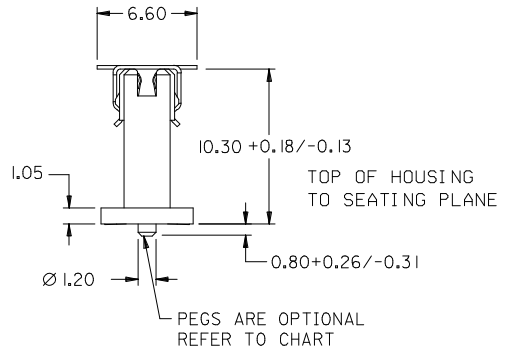
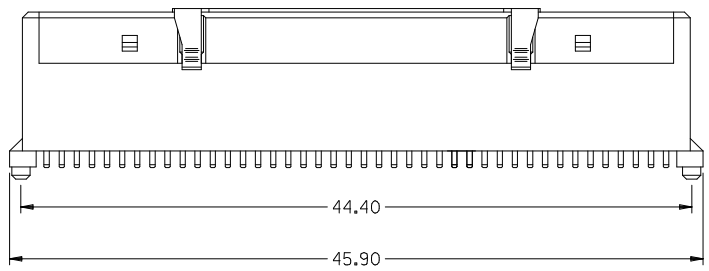
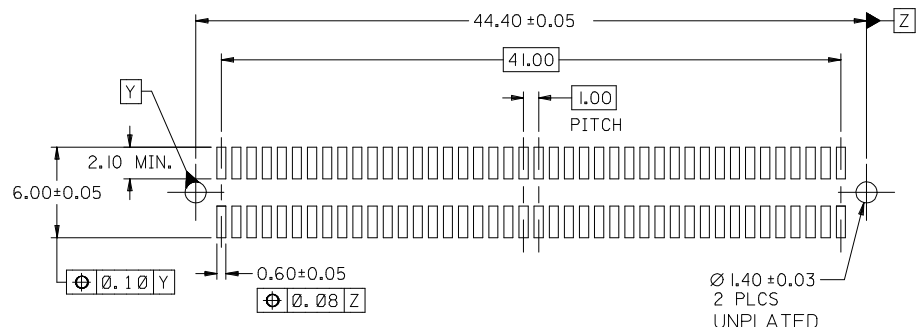


71742-3004	0.76 (30 MICROINCH)	YES	YES	PK-70873-063	TAPE & REEL
71742-3003	0.25 (10 MICROINCH)	YES	YES	PK-70873-063	TAPE & REEL
71742-3001	0.25 (10 MICROINCH)	NO	YES	PK-70873-063	TAPE & REEL
ITEM NUMBER	CONTACT AREA PLATING MINIMUM GOLD THICKNESS IN MICROMETERS (SEE NOTES FOR OTHER PLATINGS)	PEGS	PICK & PLACE CAP	PACKAGING SPEC. NUMBER	PACKAGING TYPE



RECOMMENDED PCB LAYOUT
RECOMMENDED PCB THICKNESS: 1.0±0.1mm MIN.



RECOMMENDED PCB LAYOUT WITH PEGS
RECOMMENDED PCB THICKNESS: 1.0±0.1mm MIN.

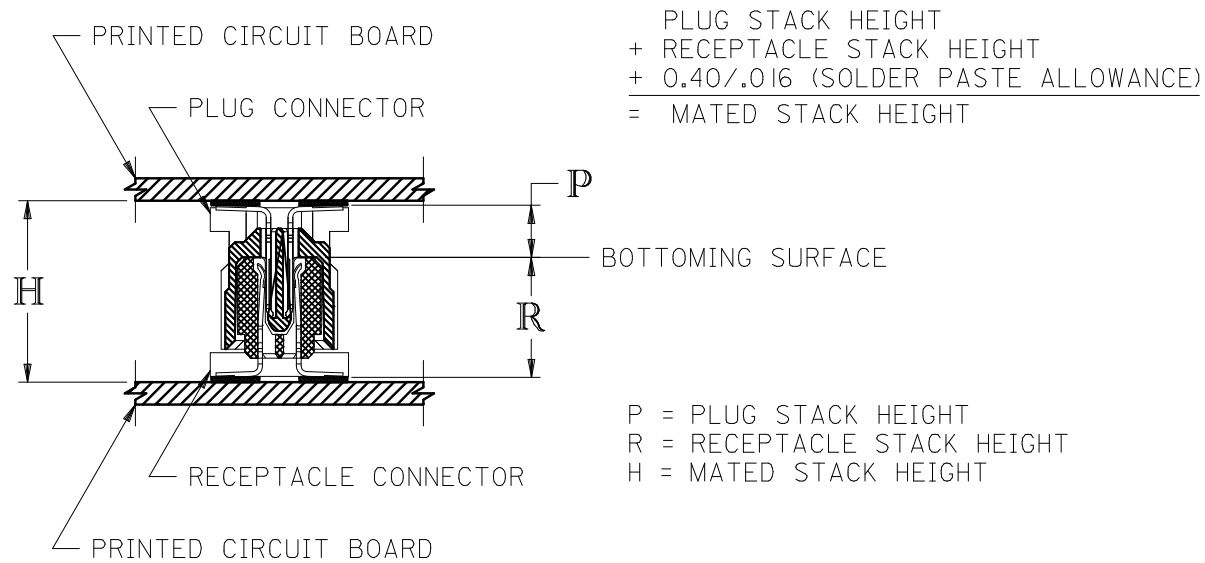
NOTES:

- HOUSING MATERIAL: GLASS FILLED LIQUID CRYSTAL POLYMER (LCP);
UL RATING: 94V-0; COLOR: WHITE (NATURAL).
TERMINAL MATERIAL: PHOSPHOR BRONZE.
VACUUM CAP MATERIAL: STAINLESS STEEL.
- CONTACT FINISH:
SEE TABLE FOR THICKNESS OF GOLD PLATING IN CONTACT AREA,
1.90 MICROMETER MINIMUM TIN PLATING IN SOLDER TAIL AREA,
OVER NICKEL PLATING OVERALL.
- THIS PART CONFORMS TO MOLEX PRODUCT SPECIFICATION PS-71741-9999.
- DIMENSIONS ARE IN MILLIMETERS.
- PACKAGING SPECIFICATIONS: REFER TO CHART.

CLARIFY DIMENSIONS EC NO: UCP2009-2408 DRW: BARKER 2009/04/20 CHK: D. MORGAN 2009/04/20 APPR: MILLER 2009/04/21	QUALITY SYMBOLS ▽=0 ▽=0	GENERAL TOLERANCES (UNLESS SPECIFIED) <table border="1"> <tr> <th></th> <th>mm</th> <th>INCH</th> </tr> <tr> <td>4 PLACES</td> <td>± ---</td> <td>± ---</td> </tr> <tr> <td>3 PLACES</td> <td>± ---</td> <td>± ---</td> </tr> <tr> <td>2 PLACES</td> <td>± 0.13</td> <td>± ---</td> </tr> <tr> <td>1 PLACE</td> <td>± 0.25</td> <td>± ---</td> </tr> </table>		mm	INCH	4 PLACES	± ---	± ---	3 PLACES	± ---	± ---	2 PLACES	± 0.13	± ---	1 PLACE	± 0.25	± ---	DIMENSION STYLE MM ONLY DRAWN BY: WGM DATE: 97/08/04 CHECKED BY: DATE:	SCALE: METRIC DESIGN UNITS: METRIC THIRD ANGLE PROJECTION	TITLE: SALES ASSY, 1.0MM 84 CKT BOARD-TO-BOARD RECPTACLE 10.3 STACK HEIGHT
		mm	INCH																	
	4 PLACES	± ---	± ---																	
	3 PLACES	± ---	± ---																	
2 PLACES	± 0.13	± ---																		
1 PLACE	± 0.25	± ---																		
MATERIAL NO. SEE TABLE	DATE: 97/08/04 APPROVED BY: DJB	MOLEX INCORPORATED	DOCUMENT NO. SDA-71742-3***	SHEET NO. 1 OF 2																
DRAFT WHERE APPLICABLE MUST REMAIN WITHIN DIMENSIONS	SIZE: C	THIS DRAWING CONTAINS INFORMATION THAT IS PROPRIETARY TO MOLEX INCORPORATED AND SHOULD NOT BE USED WITHOUT WRITTEN PERMISSION																		

RECOMMENDED PLUG/RECEPTACLE COMBINATION FOR
MATED STACK HEIGHT PER EIA STANDARD 700 AAAB

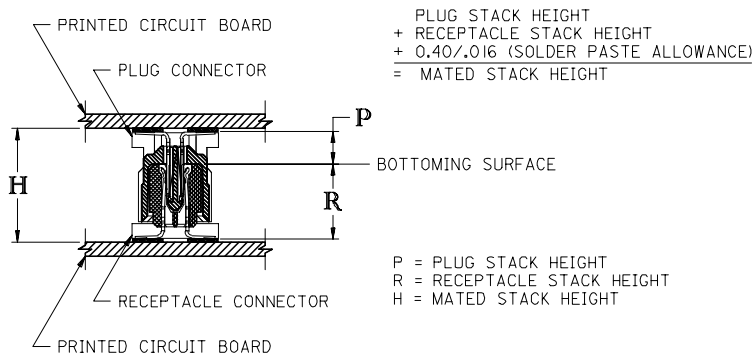
MATED STACK HEIGHT	RECEPTACLE HEIGHT	RECEPTACLE SERIES NO.	PLUG HEIGHT	PLUG SERIES NO.
15.00/.591	10.30/.406	71742-3***	4.30/.169	71741-0***
13.00/.512	10.30/.406	71742-3***	2.30/..091	71741-2***



SEE SHEET 1 EC NO: UCP2009-2408 DRWN:BBARKER 2009/04/20 CHKD:JMORGAN 2009/04/20 APPR:SMILLER 2009/04/21	QUALITY SYMBOLS ▽=0 ▽=0	GENERAL TOLERANCES (UNLESS SPECIFIED) <table border="1"> <thead> <tr> <th></th> <th>mm</th> <th>INCH</th> </tr> </thead> <tbody> <tr> <td>4 PLACES</td> <td>± .---</td> <td>± .---</td> </tr> <tr> <td>3 PLACES</td> <td>± .---</td> <td>± .---</td> </tr> <tr> <td>2 PLACES</td> <td>± 0.13</td> <td>± .---</td> </tr> <tr> <td>1 PLACE</td> <td>± 0.25</td> <td>± .---</td> </tr> </tbody> </table> ANGULAR ±1/2°		mm	INCH	4 PLACES	± .---	± .---	3 PLACES	± .---	± .---	2 PLACES	± 0.13	± .---	1 PLACE	± 0.25	± .---	DIMENSION STYLE MM ONLY DRAWN BY DATE WGM 97/08/04 CHECKED BY DATE	SCALE DESIGN UNITS METRIC THIRD ANGLE PROJECTION	TITLE SALES ASSY, 1.0MM 84 CKT BOARD-TO-BOARD RECP TACLE 10.3 STACK HEIGHT
		mm	INCH																	
	4 PLACES	± .---	± .---																	
	3 PLACES	± .---	± .---																	
2 PLACES	± 0.13	± .---																		
1 PLACE	± 0.25	± .---																		
DRAFT WHERE APPLICABLE MUST REMAIN WITHIN DIMENSIONS	APPROVED BY DATE DJB 97/08/04	MATERIAL NO. SEE TABLE	DOCUMENT NO. SDA-71742-3***	SHEET NO. 1 OF 2																
SIZE THIS DRAWING CONTAINS INFORMATION THAT IS PROPRIETARY TO MOLEX INCORPORATED AND SHOULD NOT BE USED WITHOUT WRITTEN PERMISSION	MOLEX MOLEX INCORPORATED																			

*RECOMMENDED PLUG/RECEPTACLE COMBINATION FOR
MATED STACK HEIGHT PER EIA STANDARD 700 AAAB

MATED STACK HEIGHT	RECEPTACLE HEIGHT	RECEPTACLE SERIES NO.	PLUG HEIGHT	PLUG SERIES NO.
*15.00/-.591	10.30/-.406	71742-3***	4.30/-.169	71741-0***
13.00/-.512	10.30/-.406	71742-3***	2.30/-.091	71741-2***



CHG TO NEW BORDER EC NO: UCP2007-1510 G DRAWN: BARKER 2007/01/04 CHKD: MIBARRA 2007/01/04 APPR: SMILLER 2007/01/05 REVISIONS DESCRIPTION	QUALITY SYMBOLS	GENERAL TOLERANCES (UNLESS SPECIFIED)	DIMENSION STYLE	SCALE	DESIGN UNITS	THIRD ANGLE PROJECTION
	$\nabla=0$ $\nabla=0$	mm INCH 4 PLACES ± --- ± --- 3 PLACES ± --- ± --- 2 PLACES ± --- ± --- 1 PLACE ± --- ± --- ANGULAR ±1/2°	MM/IN	---	METRIC	TITLE SALES ASSEMBLY, 1.0 MM 84 CKT., BTB RECEPTACLE 10.30/.406 STACK HEIGHT
			DRAWN BY DATE KAS 98/12/28			MOLEX INCORPORATED DOCUMENT NO. SDA-71742-3*** SHEET NO. 2 OF 2
			CHECKED BY DATE KAS 98/12/28			
		APPROVED BY DATE DJB 98/12/28				
			MATERIAL NO.			
		DRAFT WHERE APPLICABLE MUST REMAIN WITHIN DIMENSIONS	SEE TABLE			
			SIZE C	THIS DRAWING CONTAINS INFORMATION THAT IS PROPRIETARY TO MOLEX INCORPORATED AND SHOULD NOT BE USED WITHOUT WRITTEN PERMISSION		