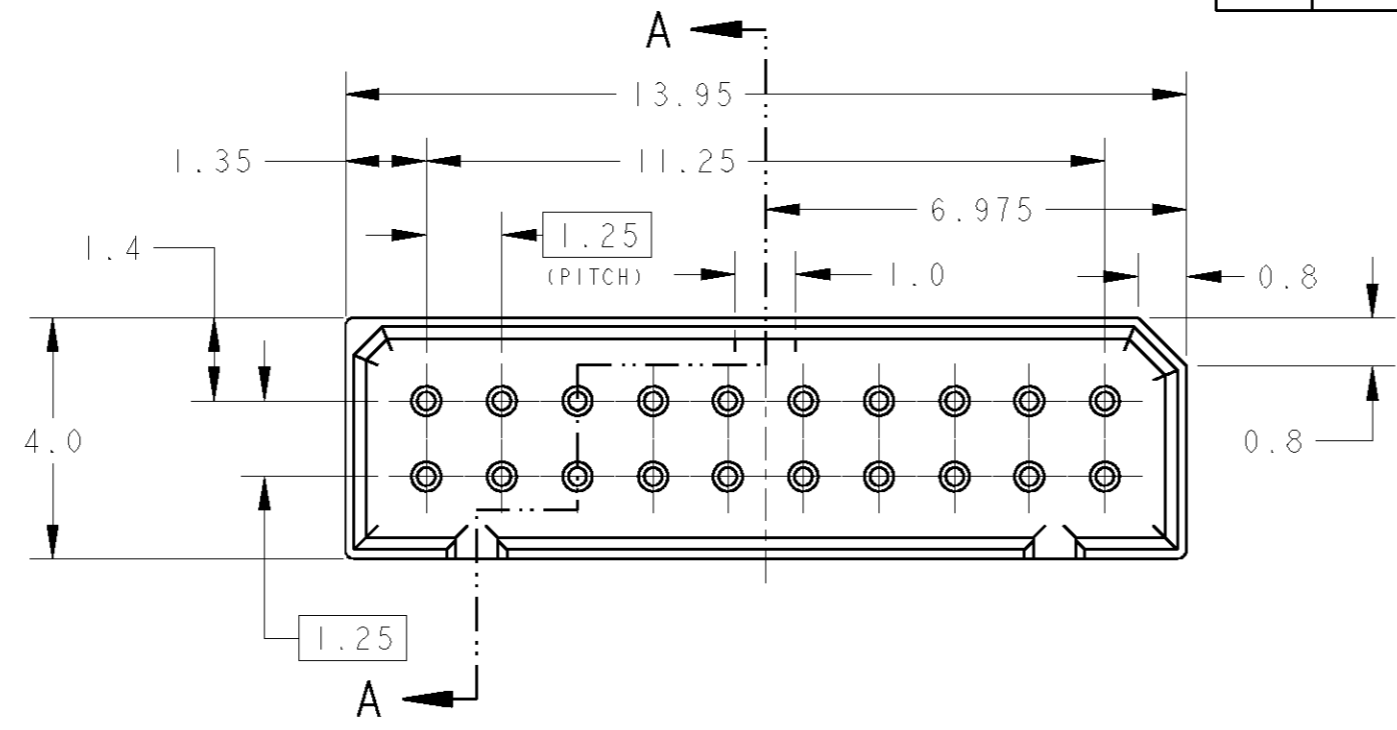


THIS DRAWING IS UNPUBLISHED. RELEASED FOR PUBLICATION 2001  
 © COPYRIGHT 2001 BY TYCO ELECTRONICS CORPORATION. ALL RIGHTS RESERVED.

LOC	DIST	REVISIONS					
		P	LTR	DESCRIPTION	DATE	DWN	APVD
J	-	0		RELEASED (FJ00-1952-01)	03SEP2001	H. J	I. H
		A		REVISED(FJ00-2583-01)	05NOV2001	M. K	I. H

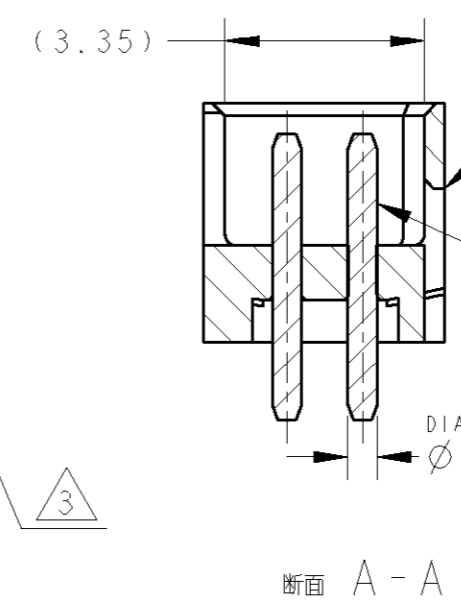
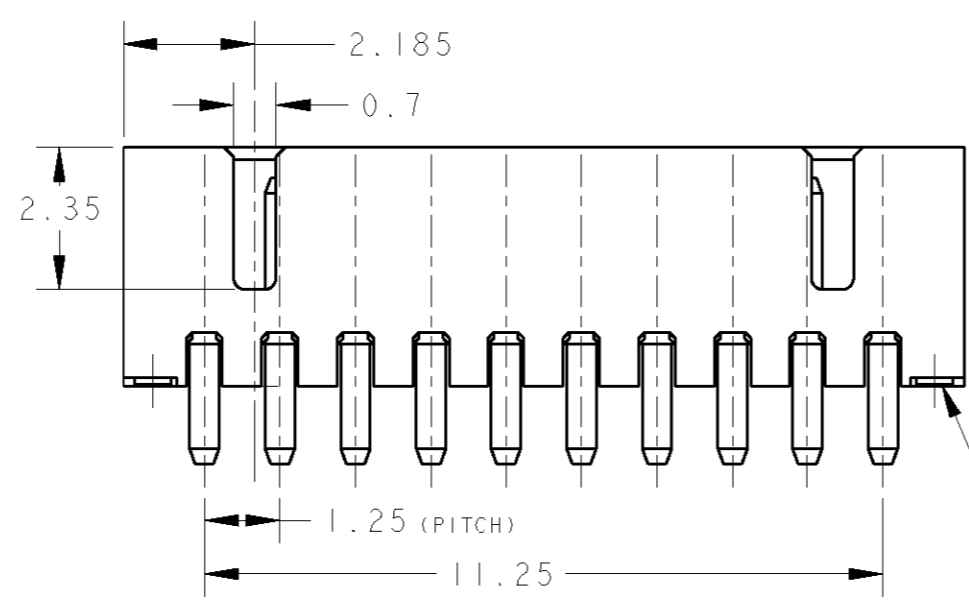
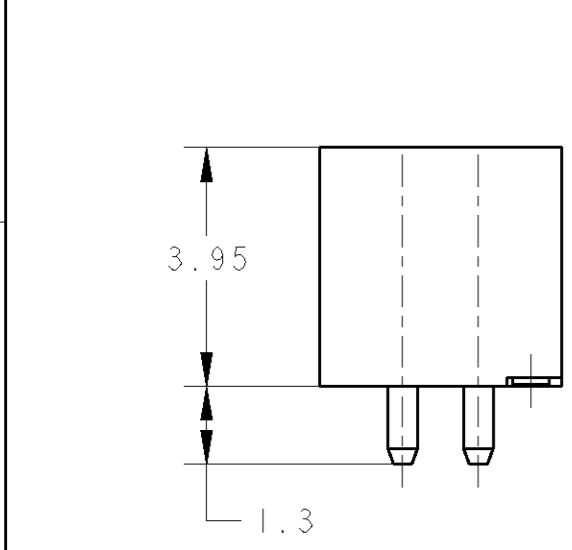


-1: AS SHOWN  
本図

1. 嵌合相手製品型番及び嵌合時寸法は表-1参照のこと。  
 MATING COUNTER PART NUMBER AND DIMENSIONS AFTER MATING: SEE TABLE 1.  
 嵌合時寸法: 幅(mm)×高さ(mm)  
 DIMENSIONS AFTER MATING: WIDE(mm)×HEIGHT(mm)

POST HDR ASS'Y	DIP TYPE
	1565388-1
嵌合相手側コネクタ MATING COUNTER CONN RECE HDR ASS'Y	ハウジング高さ寸法 HOUSING HEIGHT
1565387-1	4.0(幅)×5.0(高さ)
5-174905-0	4.6(幅)×6.9(高さ)

TABLE 1  
2. 製品規格: 108-5246  
PRODUCT SPEC

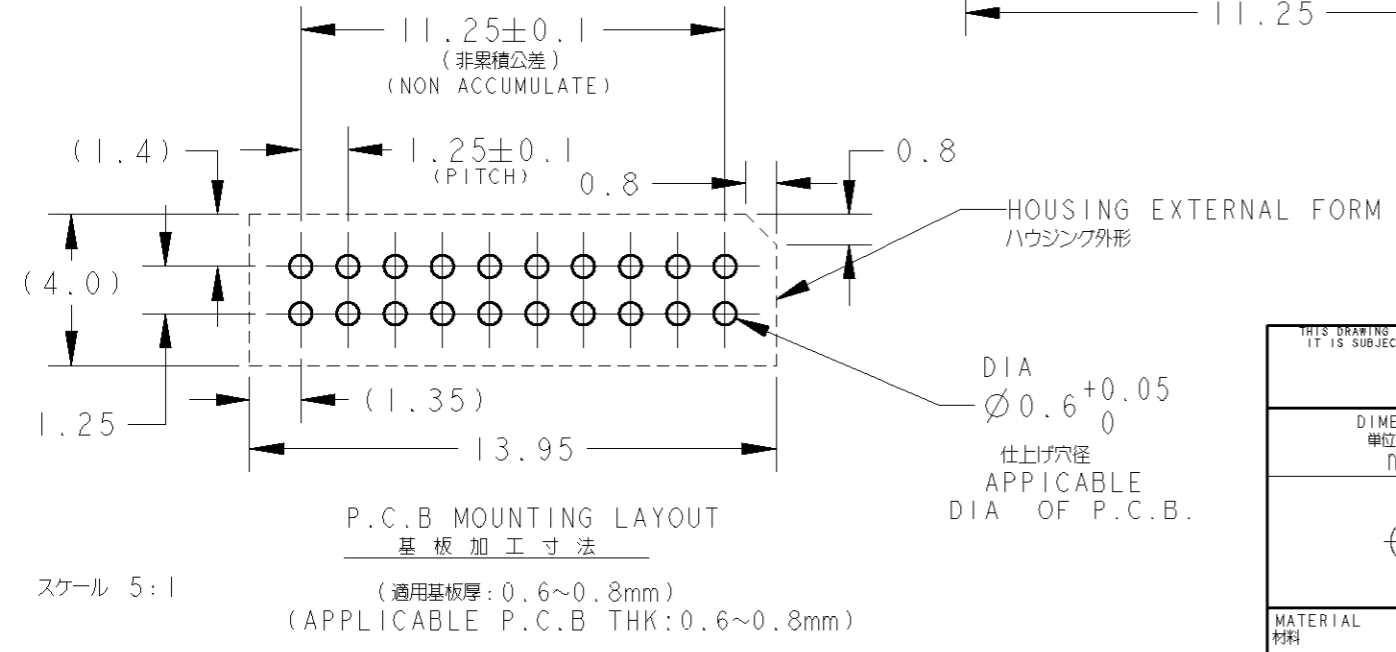


HEADER HOUSING  
ヘッダー・ハウジング  
(PPS)  
(UL94V-0)

POST  
ポスト  
(半田メッキ仕上げ黄銅線 Ø0.5)  
(POST-TIN-LEAD BRASS  
WIRE 0.5 DIA)

断面 A-A

△ 基板位置決め用ボス切断跡。  
CUT MARK OF POSITIONER BOSS.  
4.5-174643-0の同等品。  
SAME AS 5-174643-0



THIS DRAWING IS A CONTROLLED DOCUMENT FOR TYCO ELECTRONICS CORPORATION IT IS SUBJECT TO CHANGE AND THE CONTROLLING ENGINEERING ORGANIZATION SHOULD BE CONTACTED FOR THE LATEST REVISION.		DWN H. JO	03SEP2001	<b>AMP</b> Tyco Electronics AMP K.K. Kawasaki, Japan
DIMENSIONS: 単位: 概 mm		CHK M. KIMURA	03SEP2001	
TOLERANCES UNLESS OTHERWISE SPECIFIED: ±0.25		APVD I. HASEGAWA	03SEP2001	NAME 名称 1.25 F-P CONNECTOR (B-TO-B) DOUBLE ROW POST HDR ASSY DIP TYPE
0-PLC ± 1-PLC ± 2-PLC ± 3-PLC ± 4-PLC ± ANGLES ±3°		PRODUCT SPEC 製品規格 108-5246	APPLICATION SPEC 取付適用規格 -	SIZE A3
MATERIAL 材料 AS SHOWN 図中参照		FINISH 仕上 AS SHOWN 図中参照	WEIGHT 0.288 g	CAGE CODE 00779
		CUSTOMER DRAWING		DRAWING NO C=1565388
		SCALE 尺度 8:1		SHEET 1 OF 1
				REV A