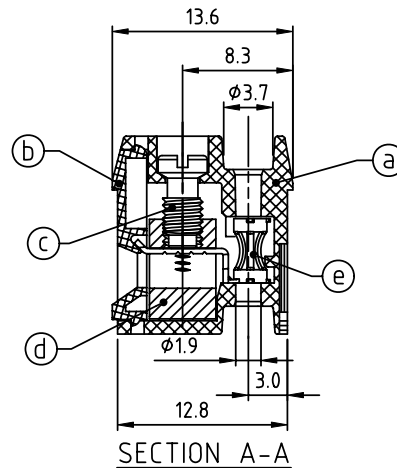
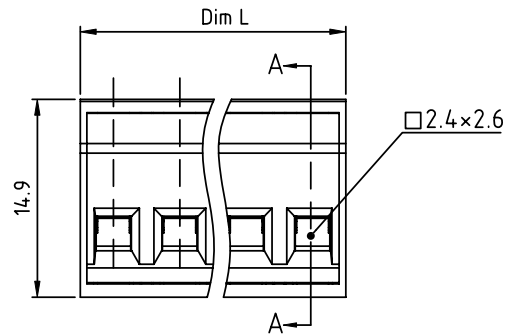
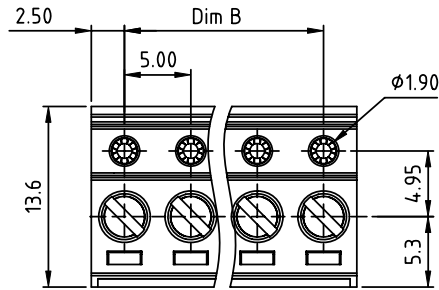


PRODUCT NUMBER	PITCH
EOxx01x200J0G	5.00 mm



Material

- Item (a) Terminal housing: Thermoplastic (UL94V-0)
- Item (b) Terminal cover: Thermoplastic (UL94V-0)
- Item (c) Terminal screw: Steel Zinc plating "- "type
- Item (d) Clamp: Brass, Ni plated
- Item (e) Female contact: PhBz, Tin plated

Electrical

- Voltage rating: 300V
- Current rating: 15A
- Wire range:
- Solid wire(AWG): 12-28
- Stranded wire(AWG): 12-28
- Torque: 4.5Lb-In
- Screw: M3
- Wire strip length: 5-6mm
- Withstanding Voltage: 1.6KV
- Operating temperature: -40°C to +115°C
- Safety Approval:

PART NO.: EO xx 01 x 2 00J0 G

N=Number of poles

Dim L=N×5.00
Dim B=(N-1)×5.00

POLES	Tolerance
2P-5P	±0.10
6P-9P	±0.15
10P-12P	±0.20

Solid block	No. of poles	Color	RoHS compliant (lead<4%) In copper Alloy
0	2	Black (RAL9005)	
2	3	Red (RAL3001/D)	
3	4	Orange(RAL2011/P)	
4	5	Yellow(RAL1018/A)	
5	6	Green(RAL6018/T)	
6	8	Blue (RAL5015/A)	
8	9	Grey(RAL7035/D)	
9	12	White(RAL1102)	
C		Green(RAL6018/U)	

mat'l. code		surface ASME Y14.5 ✓	tolerance ASME Y14.5	projection 	product family TERMINAL BLOCK
ltr	ecn no	dr	date	tolerances unless otherwise specified	title
				angles 	TERMINAL BLOCK
				MM	PLUGGABLE,180D WIRE INLET,SOLID BLOCK
				X°±1'	scale
		dr	EVIN ZHONG	041714	FCI
		enr	EVIN ZHONG	041714	dwg no
		chr	HANKE FENG	041714	sheet 1 of 1
		appd	SHI JUN	041714	size
					A4
sheet index	revision	A			type
	sheet	1			CUSTOMER Drawing