

Set Top Box Thermal Module

SA000-11002



■ Specifications

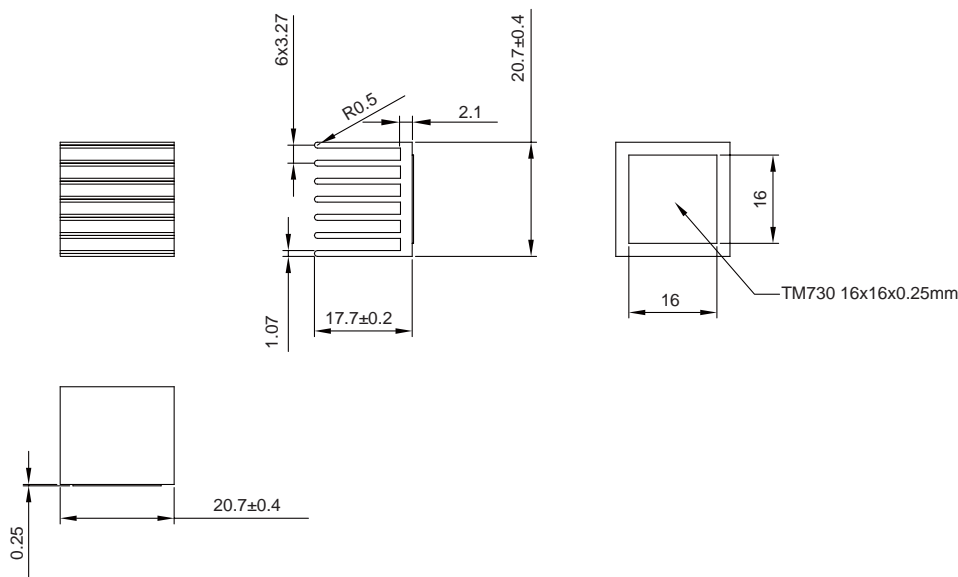
Thermal Module Dimension	L20.7xW20.7xH17.7 mm
Sink Material	AL6063-T5
Thermal Resistance	14°C/W
Mass	9 g

*熱阻(Thermal Resistance) 數值僅供參考· 實際數據會因應用產品不同而改變· 若需精確數據請將散熱模組置入應用產品中重新量測·
 *該數據是將散熱模組放置於10x10 mm² 面積的熱源上· 在開放式無風流干擾環境中於散熱模組底部正中央量測的溫度。

*1 Thermal Resistance is for reference only. Actual thermal performance may vary by different applications. Please test it again by using on different applications.

*2 Thermal resistance is measured from the bottom middle of heat sink in free air without airflow obstructions, with 10*10 mm² heat source.

■ External dimensions(mm)



NOTES:

- All Rights reserved
- RoHS compliant

*此產品目錄之規格僅供參考· 如有變更無法預先通知· 請以業務提供的產品規格書為準。

*更多Sunon 產品資訊請至SUNON網站www.sunon.com瀏覽。

*Specifications are subject to change without notice. Specifications in this catalog are for reference.

*More Sunon products information please visit SUNON website at www.sunon.com.

Set Top Box Thermal Module

SA000-11003



■ Specifications

Thermal Module Dimension	L27.0xW27.0xH18.0 mm
Sink Material	AL6063-T5
Thermal Resistance	12°C/W
Mass	9.6 g

*熱阻(Thermal Resistance) 數值僅供參考，實際數據會因應用產品不同而改變，若需精確數據請將散熱模組置入應用產品中重新量測。

*該數據是將散熱模組放置於10x10 mm² 面積的熱源上，在開放式無風流干擾環境中於散熱模組底部正中央量測的溫度。

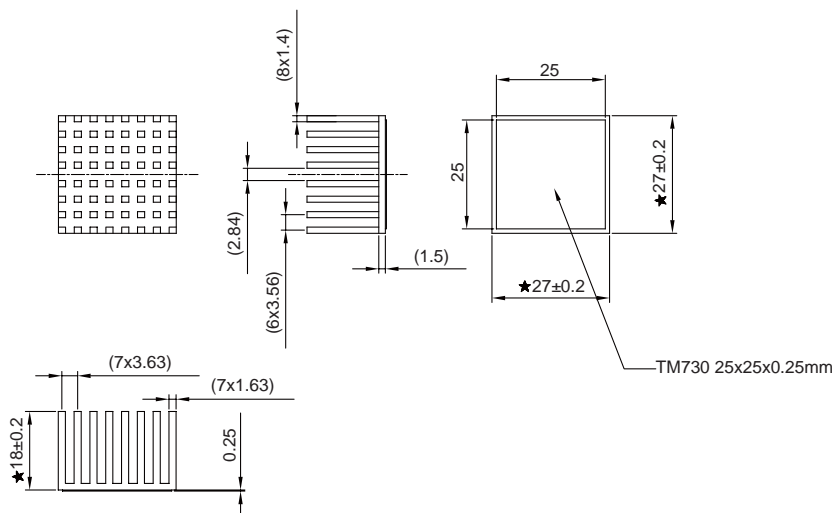
*1 Thermal Resistance is for reference only. Actual thermal performance may vary by different applications. Please test it again by using on different applications.

*2 Thermal resistance is measured from the bottom middle of heat sink in free air without airflow obstructions, with 10*10 mm² heat source.

■ External dimensions(mm)

NOTES:

- All Rights reserved
- RoHS compliant



*此產品目錄之規格僅供參考，如有變更無法預先通知，請以業務提供的產品規格書為準。

*更多Sunon 產品資訊請至SUNON網站www.sunon.com瀏覽。

*Specifications are subject to change without notice. Specifications in this catalog are for reference.

*More Sunon products information please visit SUNON website at www.sunon.com.

Set Top Box Thermal Module

SA000-12009



■ Specifications

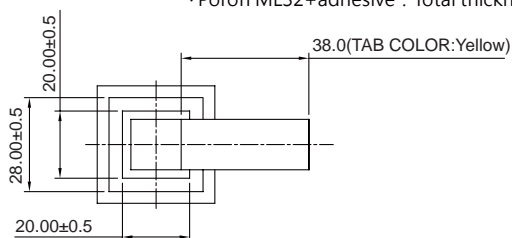
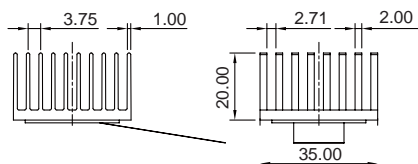
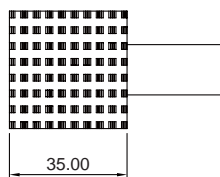
Thermal Module Dimension	L35.0xW35.0xH20.0 mm
Sink Material	AL6063-T5
Thermal Resistance	7.0°C/W
Mass	17.4 g

*熱阻(Thermal Resistance) 數值僅供參考，實際數據會因應用產品不同而改變，若需精確數據請將散熱模組置入應用產品中重新量測。
*該數據是將散熱模組放置於10x10 mm² 面積的熱源上，在開放式無風流干擾環境中於散熱模組底部正中央量測的溫度。

*1 Thermal Resistance is for reference only. Actual thermal performance may vary by different applications. Please test it again by using on different applications.

*2 Thermal resistance is measured from the bottom middle of heat sink in free air without airflow obstructions, with 10*10 mm² heat source.

■ External dimensions(mm)



NOTES:

- All Rights reserved
- Sink Finish : Anodizing Black
- RoHS compliant
- Poron ML32+adhesive : Total thickness 0.6+/-0.2mm

*此產品目錄之規格僅供參考，如有變更無法預先通知，請以業務提供的產品規格書為準。

*更多Sunon 產品資訊請至SUNON網站www.sunon.com瀏覽。

*Specifications are subject to change without notice. Specifications in this catalog are for reference.

*More Sunon products information please visit SUNON website at www.sunon.com.

Set Top Box Thermal Module

SA000-11021



Specifications

Thermal Module Dimension	L35.0xW2xH25.0 mm
Sink Material	AL6063-T5
Thermal Resistance	7.0°C/W
Mass	34.7 g

*熱阻(Thermal Resistance) 數值僅供參考，實際數據會因應用產品不同而改變，若需精確數據請將散熱模組置入應用產品中重新量測。

*該數據是將散熱模組放置於10x10 mm² 面積的熱源上，在開放式無風流干擾環境中於散熱模組底部正中央量測的溫度。

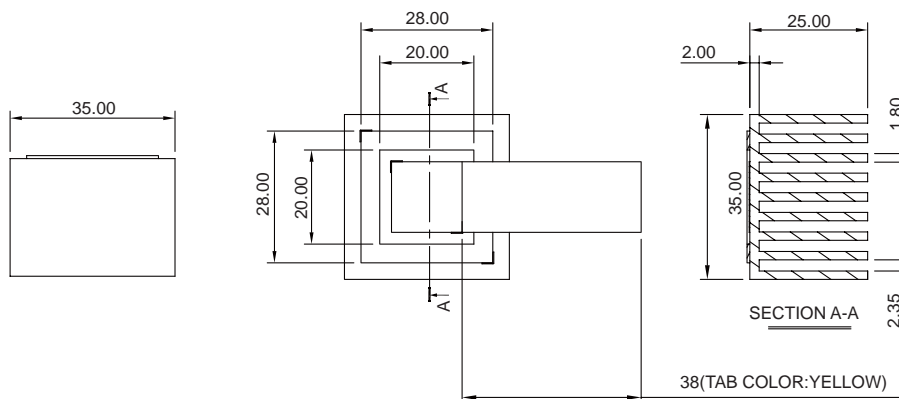
*1 Thermal Resistance is for reference only. Actual thermal performance may vary by different applications. Please test it again by using on different applications.

*2 Thermal resistance is measured from the bottom middle of heat sink in free air without airflow obstructions, with 10*10 mm² heat source.

External dimensions(mm)

NOTES:

- All Rights reserved
- Sink Finish : Anodizing Black
- RoHS compliant
- Poron ML32+adhesive : Total thickness 0.6+/-0.2mm



*此產品目錄之規格僅供參考，如有變更無法預先通知，請以業務提供的產品規格書為準。

*更多Sunon 產品資訊請至SUNON網站www.sunon.com瀏覽。

*Specifications are subject to change without notice. Specifications in this catalog are for reference.

*More Sunon products information please visit SUNON website at www.sunon.com.

Set Top Box Thermal Module

SA000-11022



■ Specifications

Thermal Module Dimension	L80.0xW67.0xH19.0 mm
Sink Material	AL6063-T5
Thermal Resistance	12.0°C/W
Mass	92.8 g

*熱阻(Thermal Resistance) 數值僅供參考，實際數據會因應用產品不同而改變，若需精確數據請將散熱模組置入應用產品中重新量測。
 *該數據是將散熱模組放置於10x10 mm² 面積的熱源上，在開放式無風流干擾環境中於散熱模組底部正中央量測的溫度。

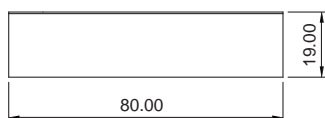
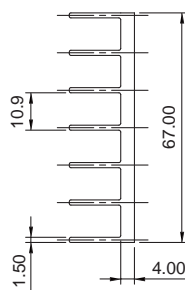
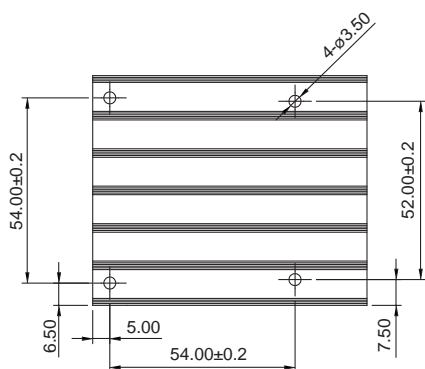
*1 Thermal Resistance is for reference only. Actual thermal performance may vary by different applications. Please test it again by using on different applications.

*2 Thermal resistance is measured from the bottom middle of heat sink in free air without airflow obstructions, with 10*10 mm² heat source.

■ External dimensions(mm)

NOTES:

- All Rights reserved
- Finish : Degrease



*此產品目錄之規格僅供參考，如有變更無法預先通知，請以業務提供的產品規格書為準。

*更多Sunon 產品資訊請至SUNON網站www.sunon.com瀏覽。

*Specifications are subject to change without notice. Specifications in this catalog are for reference.

*More Sunon products information please visit SUNON website at www.sunon.com.

Set Top Box Thermal Module

SA000-13008



■ Specifications

Thermal Module Dimension	L19xW37xH10.0 mm
Sink Material	AL6063-T5
Thermal Resistance	17.0°C/W
Mass	8.5 g

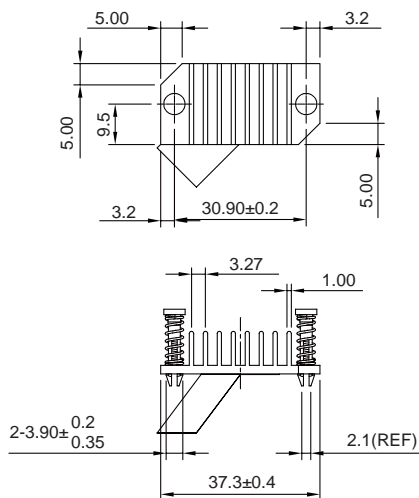
*熱阻(Thermal Resistance) 數值僅供參考，實際數據會因應用產品不同而改變，若需精確數據請將散熱模組置入應用產品中重新量測。

*該數據是將散熱模組放置於10x10 mm² 面積的熱源上，在開放式無風流干擾環境中於散熱模組底部正中央量測的溫度。

*1 Thermal Resistance is for reference only. Actual thermal performance may vary by different applications. Please test it again by using on different applications.

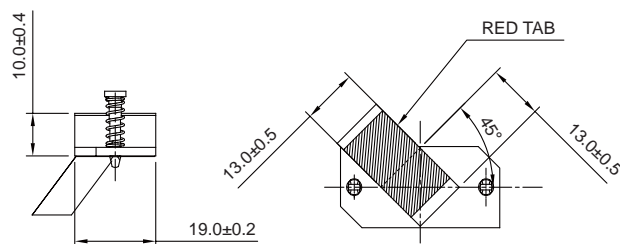
*2 Thermal resistance is measured from the bottom middle of heat sink in free air without airflow obstructions, with 10*10 mm² heat source.

■ External dimensions(mm)



NOTES:

- All Rights reserved
- Sink Finish : Degrease
- RoHS compliant
- CU PUSH PIN Material : C6802($\frac{1}{2}$ H)
- CU PUSH PIN use hole in PCB \varnothing 2.9mm



*此產品目錄之規格僅供參考，如有變更無法預先通知，請以業務提供的產品規格書為準。

*更多Sunon 產品資訊請至SUNON網站www.sunon.com瀏覽。

*Specifications are subject to change without notice. Specifications in this catalog are for reference.

*More Sunon products information please visit SUNON website at www.sunon.com.

Set Top Box Thermal Module

SA000-12024



■ Specifications

Thermal Module Dimension	L19xW37xH10.0 mm
Sink Material	AL6063-T5
Thermal Resistance	17.0°C/W
Mass	7 g

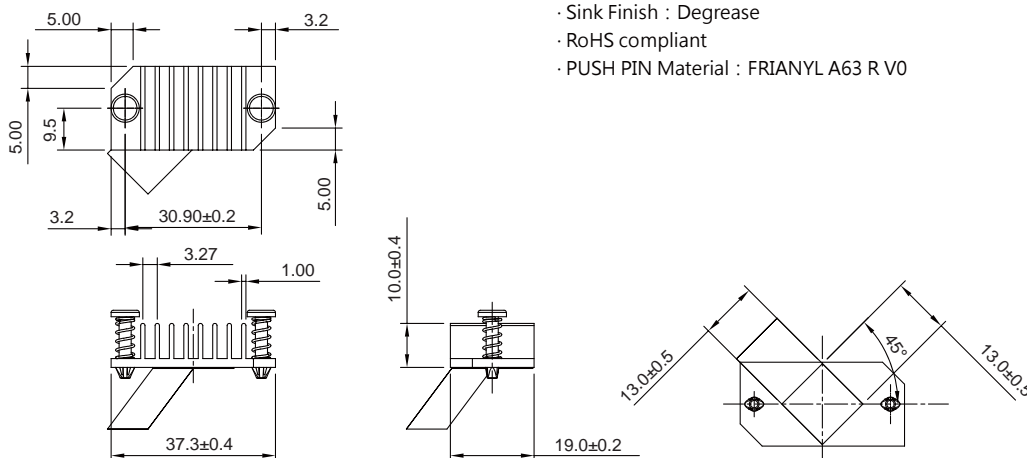
*熱阻(Thermal Resistance) 數值僅供參考，實際數據會因應用產品不同而改變，若需精確數據請將散熱模組置入應用產品中重新量測。

*該數據是將散熱模組放置於10x10 mm² 面積的熱源上，在開放式無風流干擾環境中於散熱模組底部正中央量測的溫度。

*1 Thermal Resistance is for reference only. Actual thermal performance may vary by different applications. Please test it again by using on different applications.

*2 Thermal resistance is measured from the bottom middle of heat sink in free air without airflow obstructions, with 10*10 mm² heat source.

■ External dimensions(mm)



NOTES:

- All Rights reserved
- Sink Finish : Degrease
- RoHS compliant
- PUSH PIN Material : FRIANYL A63 R V0

*此產品目錄之規格僅供參考，如有變更無法預先通知，請以業務提供的產品規格書為準。

*更多Sunon 產品資訊請至SUNON網站www.sunon.com瀏覽。

*Specifications are subject to change without notice. Specifications in this catalog are for reference.

*More Sunon products information please visit SUNON website at www.sunon.com.

Set Top Box Thermal Module

SA000-12016



■ Specifications

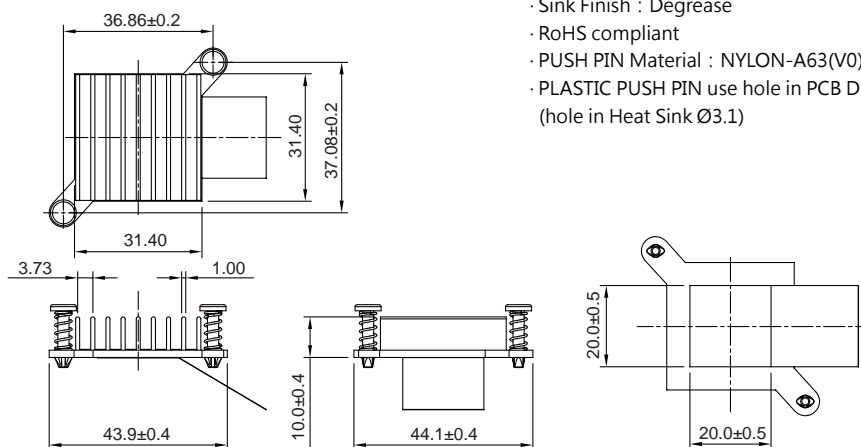
Thermal Module Dimension	L31xW31xH10.0 mm
Sink Material	AL6063-T5
Thermal Resistance	14.0°C/W
Mass	11.8 g

*熱阻(Thermal Resistance) 數值僅供參考，實際數據會因應用產品不同而改變，若需精確數據請將散熱模組置入應用產品中重新量測。
 *該數據是將散熱模組放置於10x10 mm² 面積的熱源上，在開放式無風流干擾環境中於散熱模組底部正中央量測的溫度。

*1 Thermal Resistance is for reference only. Actual thermal performance may vary by different applications. Please test it again by using on different applications.

*2 Thermal resistance is measured from the bottom middle of heat sink in free air without airflow obstructions, with 10*10 mm² heat source.

■ External dimensions(mm)



NOTES:

- All Rights reserved
- Sink Finish : Degrease
- RoHS compliant
- PUSH PIN Material : NYLON-A63(V0)
- PLASTIC PUSH PIN use hole in PCB Diameter 2.9 mm (hole in Heat Sink Ø3.1)

*此產品目錄之規格僅供參考，如有變更無法預先通知，請以業務提供的產品規格書為準。

*更多Sunon 產品資訊請至SUNON網站www.sunon.com瀏覽。

*Specifications are subject to change without notice. Specifications in this catalog are for reference.

*More Sunon products information please visit SUNON website at www.sunon.com.

Set Top Box Thermal Module

SA000-13007



■ Specifications

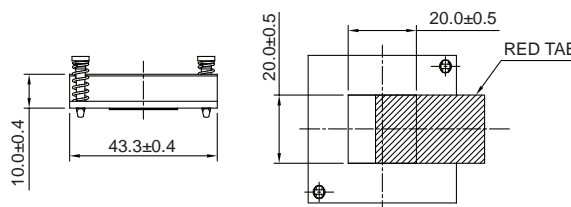
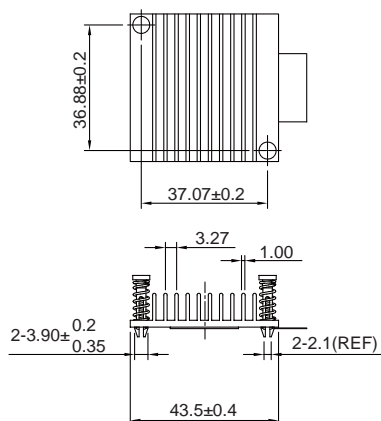
Thermal Module Dimension	L43xW43xH10.0 mm
Sink Material	AL6063-T5
Thermal Resistance	15.0°C/W
Mass	20.1 g

*熱阻(Thermal Resistance) 數值僅供參考，實際數據會因應用產品不同而改變，若需精確數據請將散熱模組置入應用產品中重新量測。
 *該數據是將散熱模組放置於10x10 mm² 面積的熱源上，在開放式無風流干擾環境中於散熱模組底部正中央量測的溫度。

*1 Thermal Resistance is for reference only. Actual thermal performance may vary by different applications. Please test it again by using on different applications.

*2 Thermal resistance is measured from the bottom middle of heat sink in free air without airflow obstructions, with 10*10 mm² heat source.

■ External dimensions(mm)



NOTES:

- All Rights reserved
- Sink Finish : Degrease
- RoHS compliant
- PUSH PIN Material : NYLON-A63(V0)
- CU PUSH PIN Material : C6802($\frac{1}{2}$ H)
- CU PUSH PIN use hole in PCB \varnothing 2.9mm

*此產品目錄之規格僅供參考，如有變更無法預先通知，請以業務提供的產品規格書為準。

*更多Sunon 產品資訊請至SUNON網站www.sunon.com瀏覽。

*Specifications are subject to change without notice. Specifications in this catalog are for reference.

*More Sunon products information please visit SUNON website at www.sunon.com.