

MODEL:

SR12UBFFD

SmartRack® 12U Industrial Floor Rack Enclosure



12 Rack Units



1000 lb.
Load Rating



Accommodates
Standard
19-Inch
Equipment



Dust, Drip and
Splash Protection
(IP54)



Heavy-Duty
Casters



Louvered Door
for Drip-Resistant
Ventilation



4 Fans for
Superior Airflow



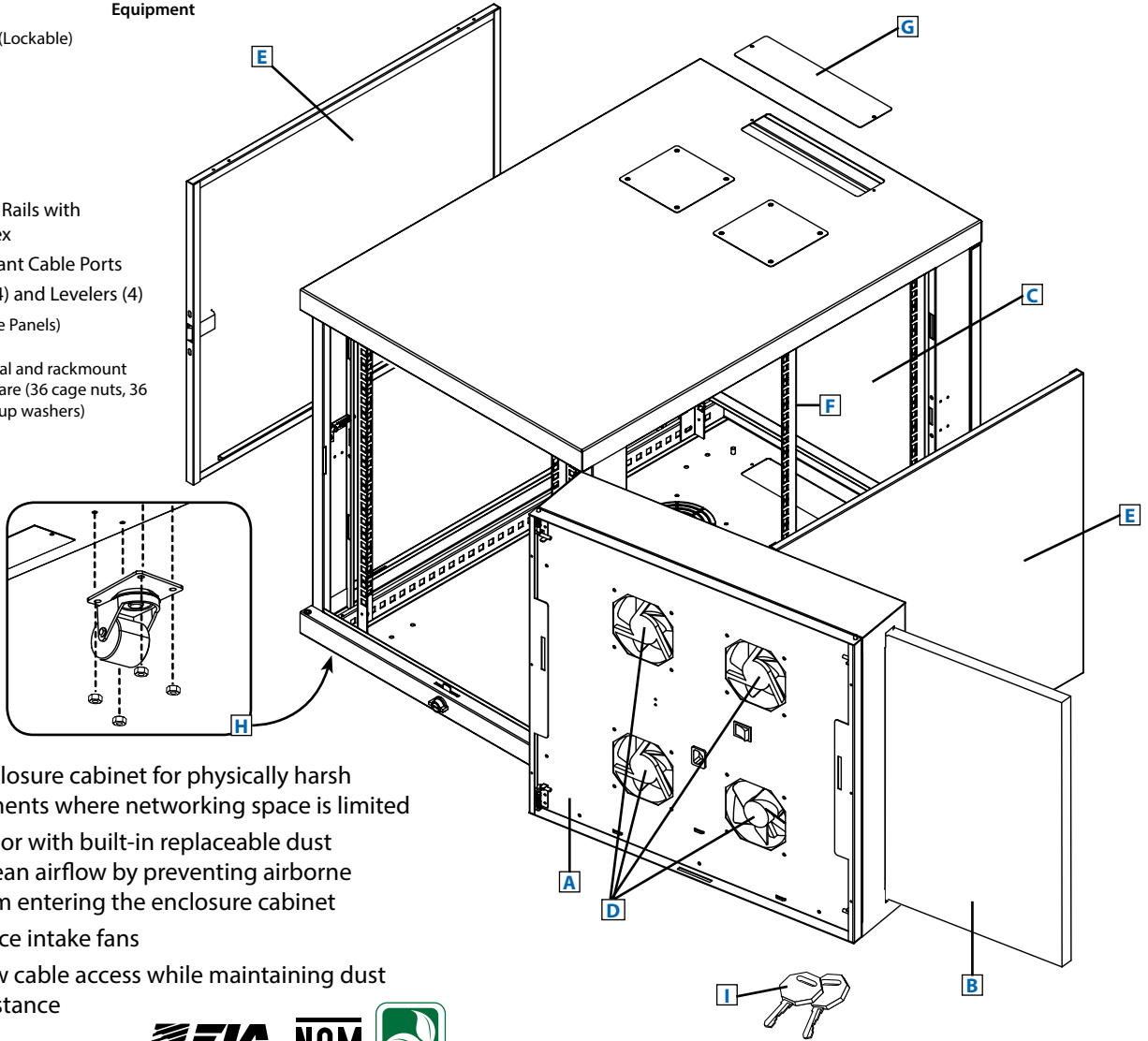
Replaceable
Dust Filter



Square Hole
Mounting

- A** Louvered Front Door (Lockable)
- B** Dust Filter
- C** Rear Door (Lockable)
- D** Ventilation Fans
- E** Side Panels (Lockable/Removable)
- F** Adjustable Mounting Rails with Easy-View Depth Index
- G** Dust- and Drip-Resistant Cable Ports
- H** Heavy-Duty Casters (4) and Levelers (4)
- I** Keys (For Doors and Side Panels)

Also Includes: Owner's Manual and rackmount equipment mounting hardware (36 cage nuts, 36 mounting screws, 36 nylon cup washers)



- 12U floor rack enclosure cabinet for physically harsh working environments where networking space is limited
- Louvered front door with built-in replaceable dust filter maintains clean airflow by preventing airborne contaminants from entering the enclosure cabinet
- 4 high-performance intake fans
- 2 cable ports allow cable access while maintaining dust and moisture resistance

Specifications

Model	SR12UBFFD
Rack Spaces	12U
Equipment Mounting Depth	32.5 in. (826 mm)
Load Rating*	1000 lb. (453 kg)
Unit Dimensions (H x W x D)	25.2 x 23.6 x 38.5 in. (640 x 600 x 978 mm)
Shipping Dimensions (H x W x D)	29.8 x 27 x 41.1 in. (757 x 686 x 1044 mm)
Unit Weight	96 lb. (43.5 kg)
Shipping Weight	130 lb. (59 kg)
Standards	Meets EIA-310-E, IEC 60297-3-100, IP54, NOM (Mexico) and RoHS standards

*The load rating includes the combined weight of the unit and installed equipment. The unit must be mounted to a stable surface with user-supplied anchors capable of bearing the full load.

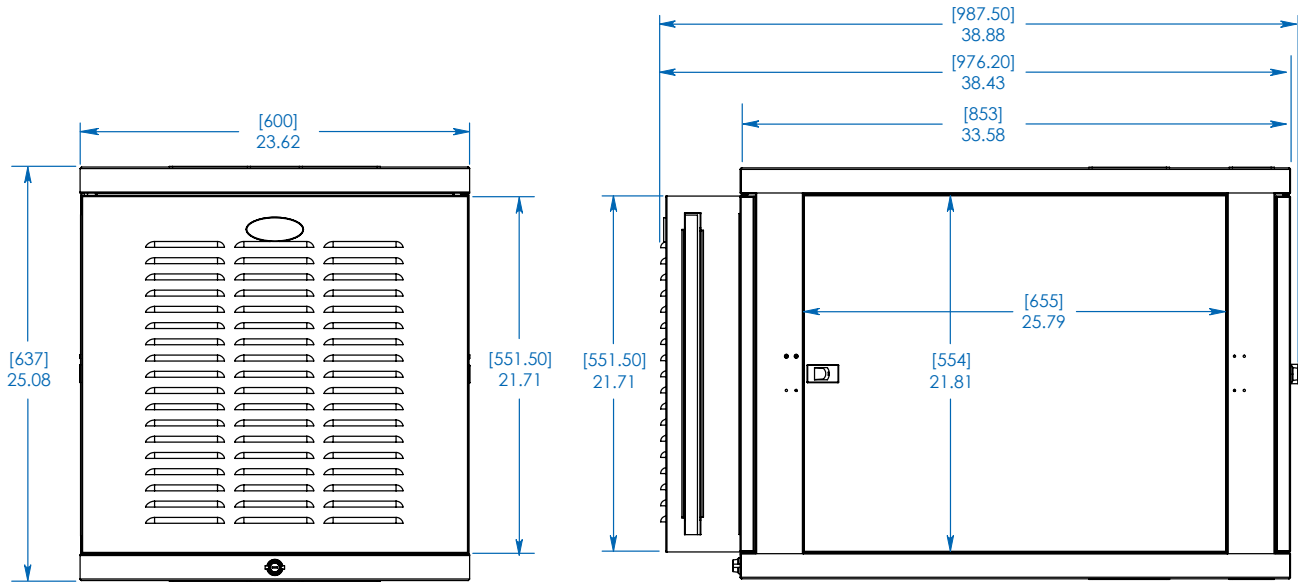
Tripp Lite has a policy of continuous improvement. Specifications are subject to change without notice.



SEE NEXT PAGE FOR DETAILED UNIT MEASUREMENTS

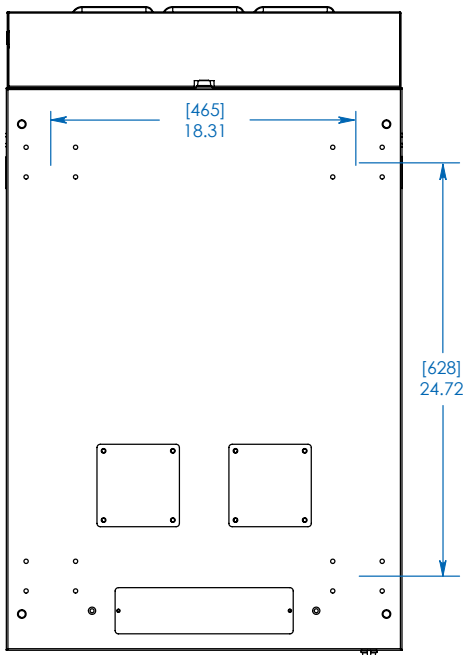


1111 W. 35th Street
Chicago, IL 60609 USA
773.869.1234
www.tripplite.com

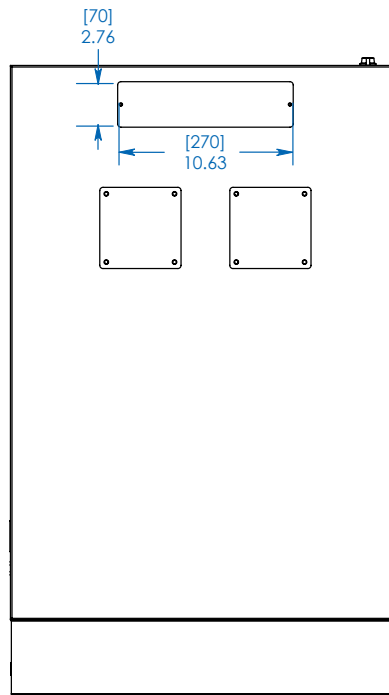


FRONT VIEW

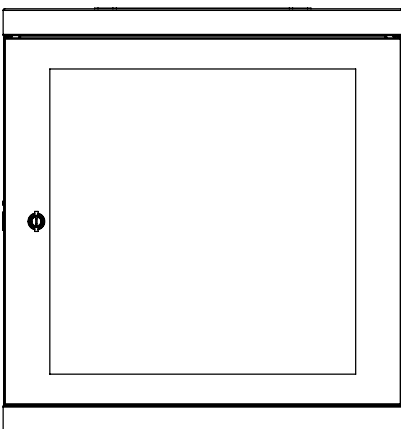
SIDE VIEW



BOTTOM VIEW



TOP VIEW



REAR VIEW

Dimensions: [mm] INCHES

Tripp Lite has a policy of continuous improvement. Specifications are subject to change without notice.

MODEL:
SR12UBFFD
TRIPP·LITE

1111 W. 35th Street
 Chicago, IL 60609 USA
 773.869.1234
 www.tripplite.com