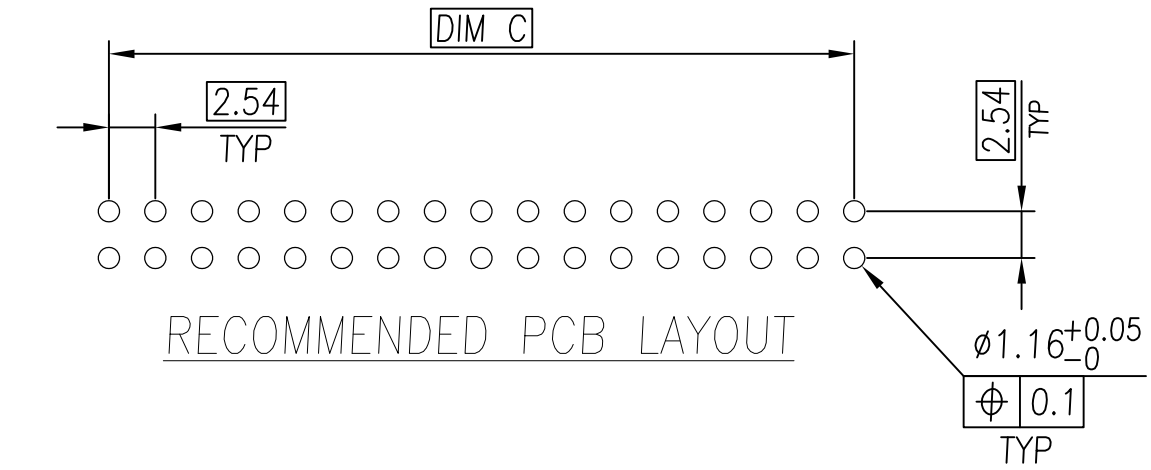
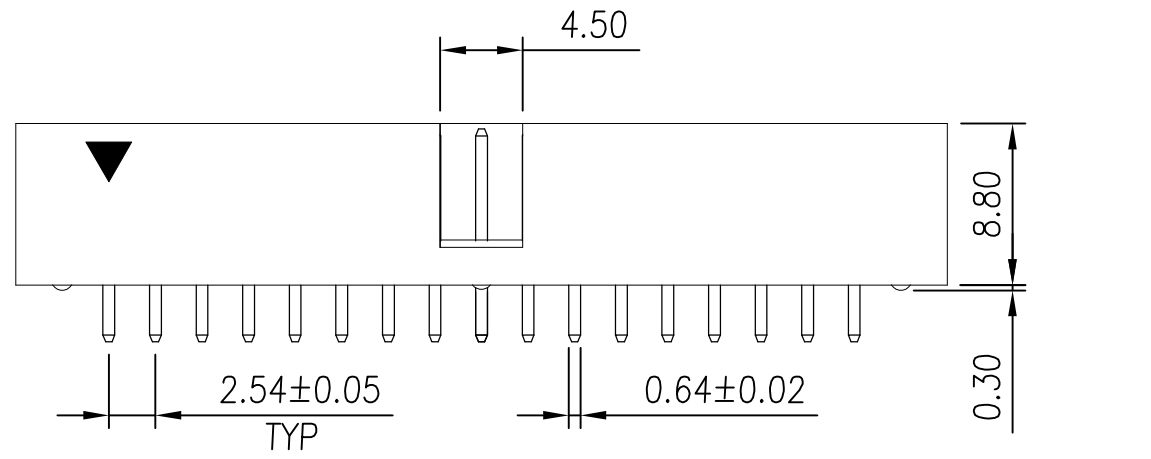
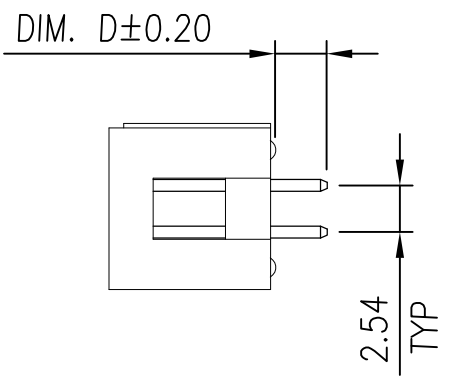
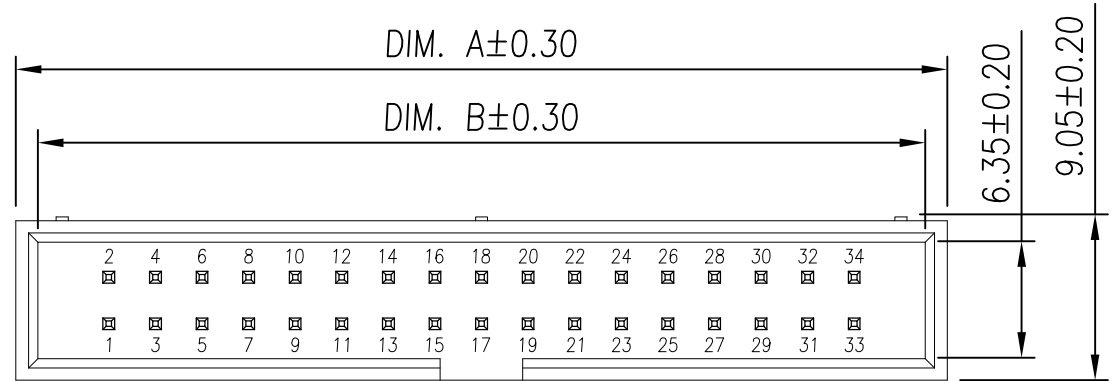
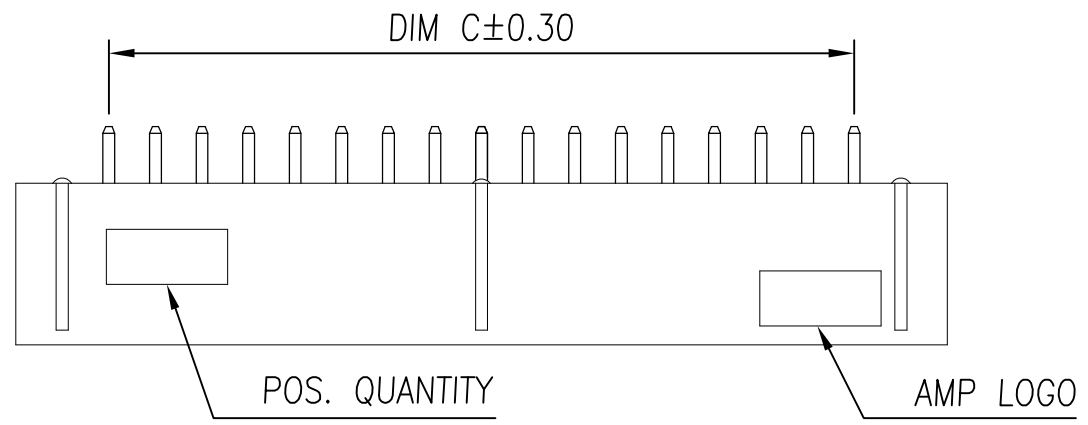


LOC	DIST	REVISIONS					
		P	LTR	DESCRIPTION	DATE	DWN	APVD
DW	-		O1	ADD PN 1-X & 2-X ECR-06-016479	07JUL06	JL	WK
			A	RESIN UPDATED ECR-07-008281	10APR07	JL	WK
			A1	REVISED PER ECO-10-000444	18JAN10	KK	HMR



- NOTES:
- MATERIAL:  
HOUSING: THERMOPLASTIC(NY 66), COLOR: SEE TABLE.  
CONTACT: BRASS
  - FINISH:  
CONTACT: GOLD FLASH ALL OVER  
NICKEL 1.27um[50u"] MIN. UNDERPLATED OVERALL.
  - SPECIFICATIONS:  
CURRENT RATING: 1AMP DC MAX.  
CONTACT RESISTANCE: 20 MILLIOHMS MAX AT DC 1A.  
INSULATOR RESISTANCE: 1000 MEGAOHMS MIN, AT 500V DC.  
DIELECTRIC WITHSTANDING: AC 500V FOR 1 MINUTE.
  - MECHANICAL:  
OPERATING TEMPERATURE: -55°C TO +105°C.
  - APPLICATION:  
BOX HEADER BODY HELPS MAXIMUM PACKAGING DENSITY.  
AVAILABLE WITH WRAP POST TAIL HEADER.  
AVAILABLE IN STRAIGHT OR RIGHT ANGLE PIN.
  - WAVE SOLDER CAPABLE TO 265°C  
PER TYCO SPEC. 109-202, CONDITION B.

△ OBSOLETE PARTS: OBSOLETE CIS STREAMLINING PER D.RENAUD/D.SINISI

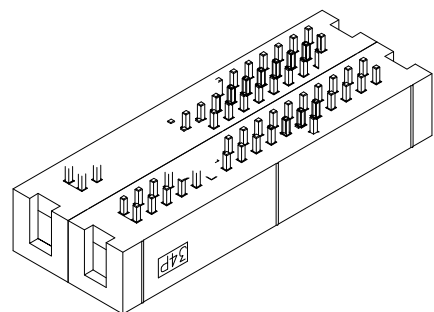
3.10	48.26	56.20	58.40	#20	BLUE	40	2-1734162-2
	48.26	56.20	58.40	#20	BLACK	40	2-1734162-1
	15.24	23.18	25.40	X	BLACK	14	1-1734162-5
	48.26	56.20	58.40		BLUE	40	1-1734162-4
	48.26	56.20	58.40		BLACK	40	1-1734162-3
	40.64	48.58	50.80		BLACK	34	1-1734162-2
	10.16	18.10	20.32		BLACK	10	1-1734162-1
2.40	48.26	56.20	58.40		#20	BLACK	40
2.80	48.26	56.20	58.40	#20	BLUE	40	1734162-4
	40.64	48.58	50.80	#5	BLUE	34	1734162-3
	48.26	56.20	58.40	#20	BLACK	40	1734162-2
△ OBSOLETE	40.64	48.58	50.80	#5	BLACK	34	1734162-1
	DIM D	DIM C	DIM B	DIM A	LACK PIN#	HSG. COLOR	POS. PART NUMBER

THIS DRAWING IS A CONTROLLED DOCUMENT.		DWN J. LEE 10APR2007	Tyco Holdings (Bermuda) VII Ltd. Taiwan Branch				
DIMENSIONS: MM		CHK S. HOU 10APR2007					
TOLERANCES UNLESS OTHERWISE SPECIFIED:		APVD W.J. KE 10APR2007	NAME				
0 PLC ± - 1 PLC ± 0.5 2 PLC ± 0.3 3 PLC ± 0.1 4 PLC ± - ANGLES ± 1°		PRODUCT SPEC 108-57566	BOX HEADER 2.54 PITCH V/T, DIP				
MATERIAL		APPLICATION SPEC 501-57655	SIZE A3	CAGE CODE 00779	DRAWING NO C=1734162	RESTRICTED TO	
FINISH		WEIGHT	CUSTOMER DRAWING		SCALE	SHEET 1 OF 2	REV A1

THIS DRAWING IS UNPUBLISHED. RELEASED FOR PUBLICATION  
 © COPYRIGHT BY TYCO ELECTRONICS CORPORATION. ALL RIGHTS RESERVED.

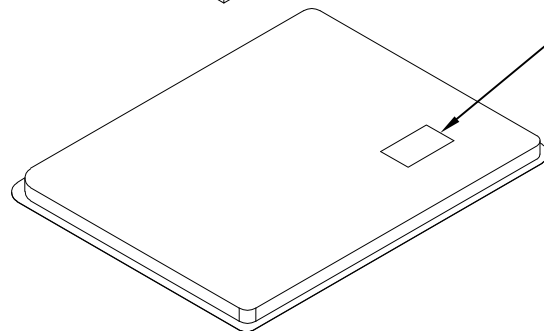
LOC	DIST	REVISIONS			
P	LTR	DESCRIPTION	DATE	DWN	APVD
		SEE SHEET 1.			

1

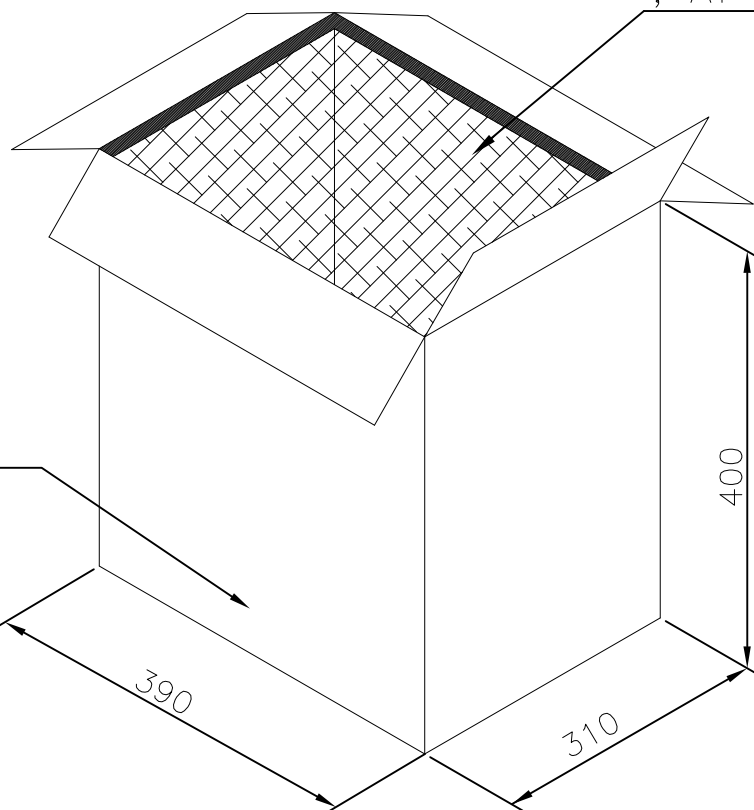


TYCO LABEL

2

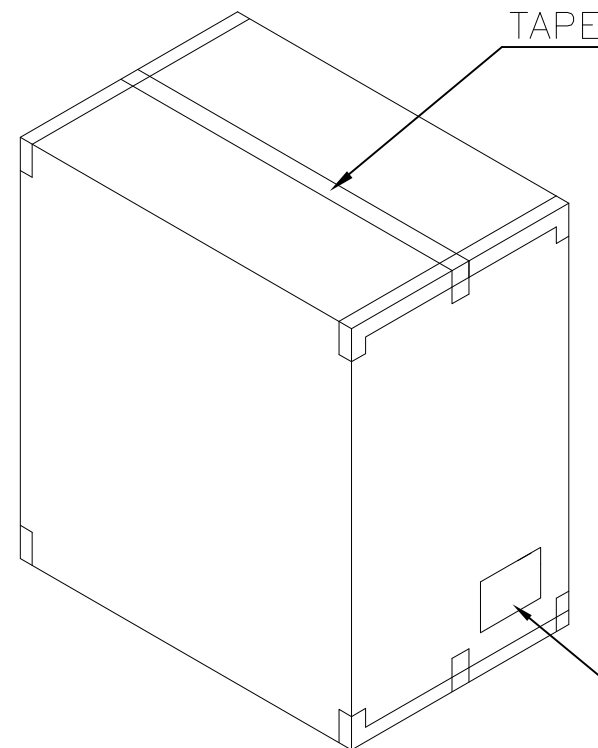


3



E.P.E (THICKNESS=15mm)  
 , AT 6 SIDES

4



TYCO LABEL

14.85	11.55	2500	100	2-1734162-2	
14.85	11.55	2500	100	2-1734162-1	
14.00	13.00	6000	240	1-1734162-5	
14.85	11.55	2500	100	1-1734162-4	
14.85	11.55	2500	100	1-1734162-3	
14.85	11.55	3000	120	1-1734162-2	
14.00	13.00	7500	300	1-1734162-1	
OBSOLETE	14.85	11.55	2500	100	1734162-5
OBSOLETE	14.85	11.55	2500	100	1734162-4
OBSOLETE	14.85	11.55	3000	120	1734162-3
OBSOLETE	14.85	11.55	2500	100	1734162-2
OBSOLETE	14.85	11.55	3000	120	1734162-1
	G/W (kg)	N/W (kg)	QUANTITY	TRAY	PART NUMBER

THIS DRAWING IS A CONTROLLED DOCUMENT.		DWN J. LEE 10APR2007	<b>tyco</b> Tyco Holdings (Bermuda)		
DIMENSIONS: MM		CHK S. HOU 10APR2007	<b>Electronics</b> VII Ltd. Taiwan Branch		
TOLERANCES UNLESS OTHERWISE SPECIFIED:		APVD W.J. KE 10APR2007	NAME		
<ul style="list-style-type: none"> <li>0 PLC ± -</li> <li>1 PLC ± -</li> <li>2 PLC ± -</li> <li>3 PLC ± -</li> <li>4 PLC ± -</li> <li>ANGLES ± -</li> </ul>		PRODUCT SPEC	BOX HEADER 2.54 PITCH V/T, DIP		
MATERIAL		APPLICATION SPEC	SIZE	CAGE CODE	DRAWING NO
FINISH		WEIGHT	A3	00779	C=1734162
CUSTOMER DRAWING			RESTRICTED TO	SCALE	SHEET
			—	—	2 OF 2
			REV	A1	