

80 mm sq.

San Ace 80



General Specifications

- Material Frame: Plastics (Flammability: UL94V-0),
Impeller: Plastics (Flammability: UL94V-0)
- Expected Life Refer to specifications (L10: Survival rate: 90% at 60°C ,
rated voltage, and continuously run in a free air state)
- Lead Wire ⊕red ⊖black (Sensor) yellow (Control) brown
- Storage Temperature -30°C to +70°C (Non-condensing)

80×80×20 mm (Mass : 80g) **9GA** type **Low Power Consumption Fan**



Specifications

The following nos. have PWM controls, pulse sensors, and ribs.

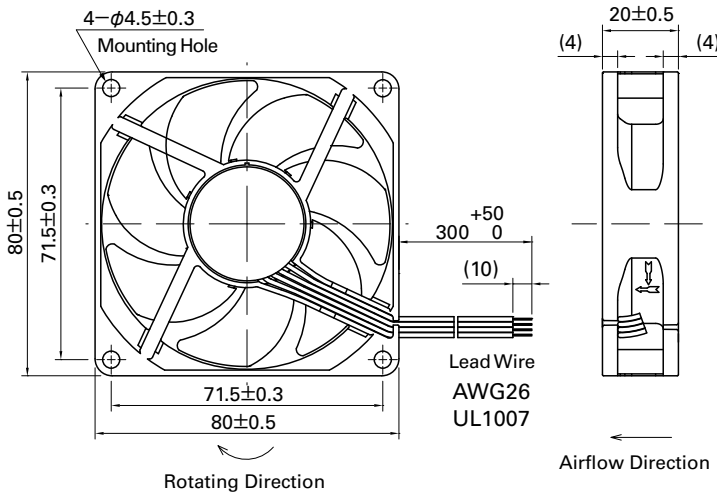
Model No.	Rated Voltage [V]	Operating Voltage Range [V]	PWM duty cycle ^{Note)1)} [%]	Rated Current [A]	Rated Input [W]	Rated Speed [min ⁻¹]	Max. Airflow [m ³ /min] [CFM]	Max. Static Pressure [Pa] [inchH ₂ O]	SPL [dB(A)]	Operating Temperature [°C]	Expected Life [h]
9GA0812P6G001	12	10.2 to 13.8	100	0.3	3.6	5,850	1.72 60.78	110 0.44	45	-20 to +70	40,000/60°C (70,000/40°C)
9GA0812P6M001				0.06	0.72	2,900	0.84 29.68	27 0.11	26.5		60,000/60°C
9GA0824P6G001	24	20.4 to 27.6	100	0.15	3.6	5,850	1.72 60.78	110 0.44	45		40,000/60°C (70,000/40°C)
9GA0824P6M001				0.03	0.72	2,900	0.84 29.68	27 0.11	26.5		60,000/60°C

Note: Fan does not rotate when PWM duty cycle is 0%.

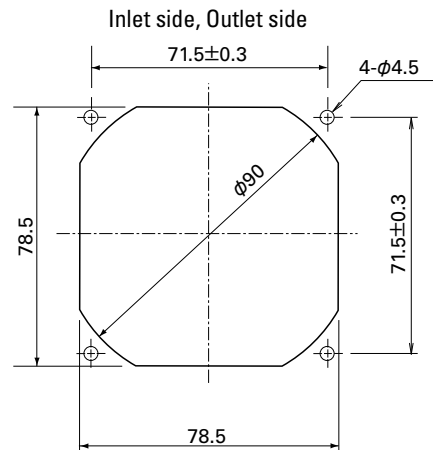
※PWM Frequency : 25kHz

Other sensor specifications are available as options. Please refer to the index (pp. 505 to 506).

Dimensions (unit: mm)



Reference Dimensions of Mounting Holes and Vent Opening (unit: mm)



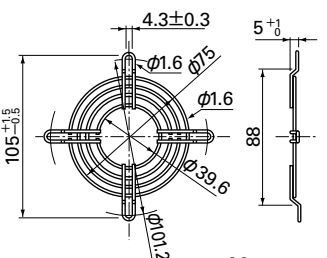
Options (unit: mm)

Finger Guards

Model : 109-049C Surface treatment : Nickel-chrome plating (silver) Color : silver

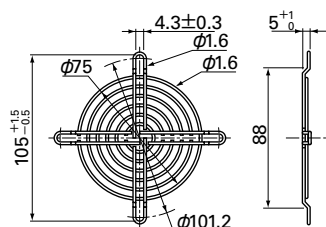
Model : 109-049E Surface treatment : Nickel-chrome plating (silver) Color : silver
109-049H Surface treatment : Cation electropainting (black) Color : black

Outlet side



Mass : 17g

Inlet side, Outlet side

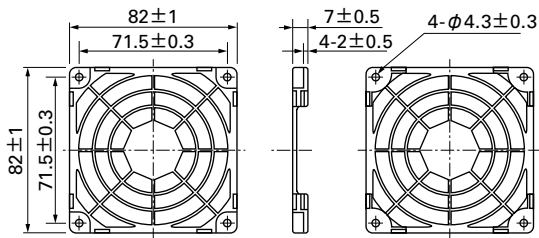


Mass : 21g

Options (unit: mm)

Resin Finger Guards

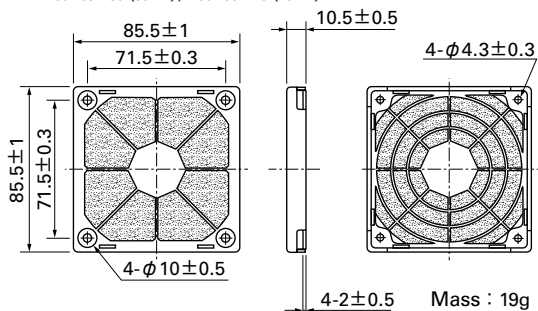
Model : 109-1002G



Mass : 10g

Resin Filter Kits

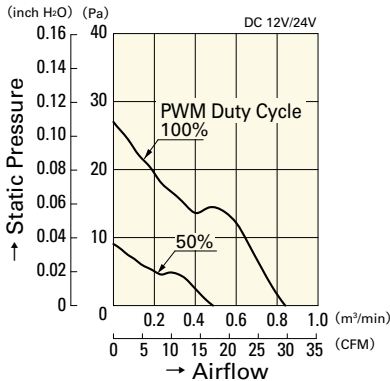
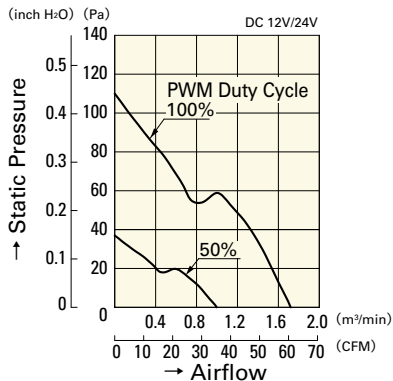
Model : 109-1002F13 (13PPI), 109-1002F20 (20PPI)
: 109-1002F30 (30PPI), 109-1002F40 (40PPI)



Mass : 19g

Airflow - Static Pressure Characteristics

PWM Duty Cycle



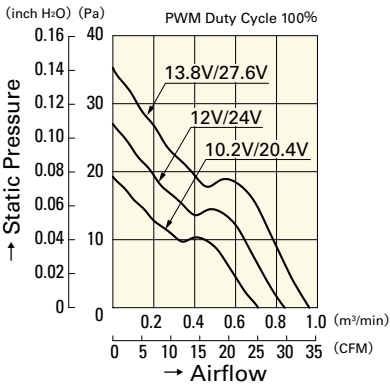
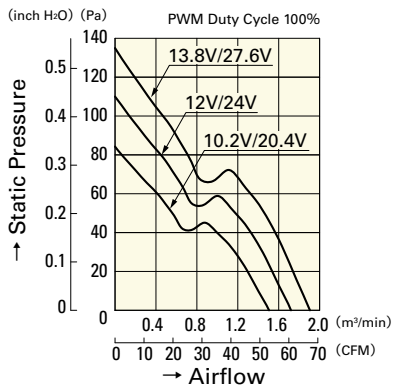
9GA0812P6G001

9GA0824P6G001

9GA0812P6M001

9GA0824P6M001

Operating Voltage Range



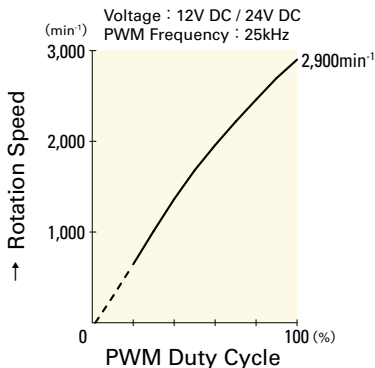
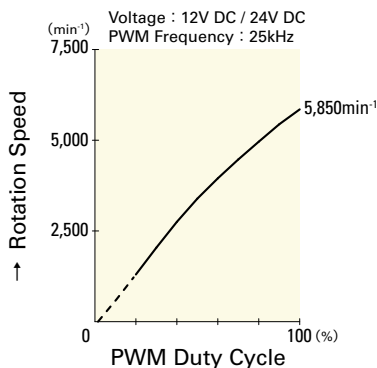
9GA0812P6G001

9GA0824P6G001

9GA0812P6M001

9GA0824P6M001

PWM Duty - Speed Characteristics Example



9GA0812P6G001

9GA0824P6G001

9GA0812P6M001

9GA0824P6M001