

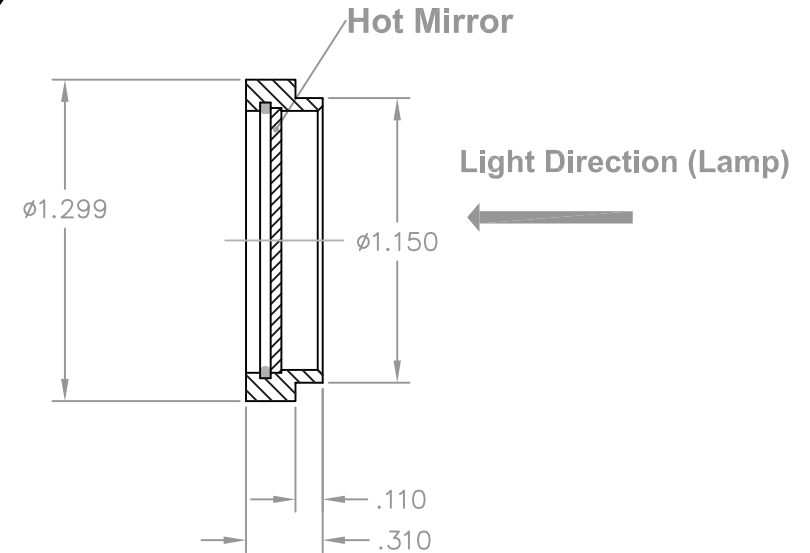
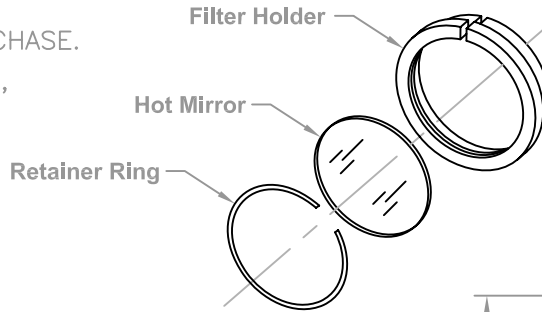
This document contains confidential and proprietary information of Excelitas Technologies. The contents shall not be disclosed, reproduced, duplicated, disseminated or used for purposes other than authorized in writing by Excelitas Technologies.

REVISIONS				
ZONE	REV.	DESCRIPTION	DATE	APPROVED
	A	REL/ECN 0167534	03/25/04	K. TONG
	B	REV/ECN 172037	03/18/11	H.VUONG

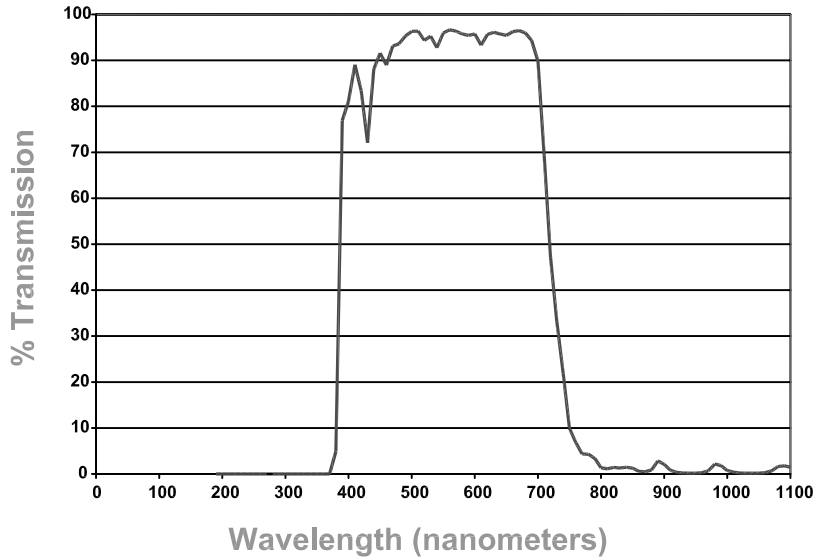
NOTES:

1. INTENDED FOR USE WITH CERMAX LAMPS UP TO 300 WATTS.
2. WARRANTY: 12 MONTHS FROM DATE OF PURCHASE.
3. WARRANTY COVERS MATERIALS, WORKMANSHIP, AND INITIAL PERFORMANCE.

UNCONTROLLED COPY



NOMINAL TRANSMISSION:



INTERFACE CONTROL DRAWING

UNLESS OTHERWISE SPECIFIED DIMENSIONS ARE IN INCHES TOLERANCES ARE: FRACTIONS ± 1/64 DECIMALS .XX ± .01 ANGLES ± 1° XXX ± .005			CONTRACT NO.		EXCELITAS TECHNOLOGIES 44370 Christy Street Fremont, CA 94538	
SURFACE ROUGHNESS: 125 ✓			APPROVALS		DATE	
MATERIAL:			DRAWN BY K. TONG		06/16/03	
FINISH:			CHECKED			
			ENGR. K. TONG		06/16/03	
			PROJ. ENGR. K. TONG		06/16/03	
			QA			
			M & P			
			SIZE B		CAGE CODE 31573	
			SCALE NONE		DWG. NO. 228758	
			DO NOT SCALE DRAWING		SHEET 1 OF 1	
			TITLE		HOT MIRROR FILTER ASSEMBLY A2-001	
			REV. B			