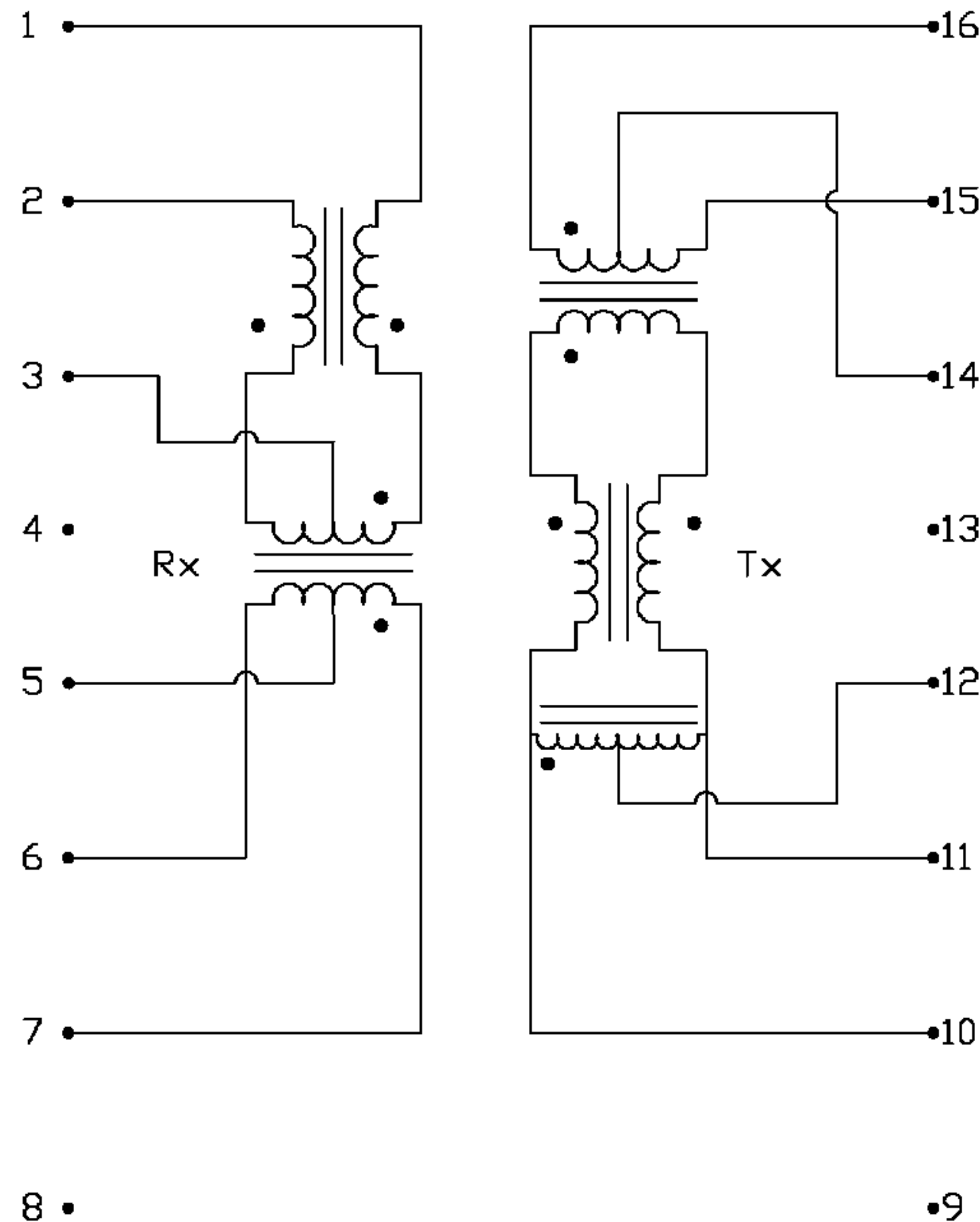


THE INFORMATION CONTAINED HEREIN IS CONSIDERED "PROPRIETARY" TO BEL FUSE INC. AND SHALL NOT BE COPIED, REPRODUCED OR DISCLOSED WITHOUT THE WRITTEN APPROVAL OF BEL FUSE INC.



ELECTRICAL CHARACTERISTICS @ 25°C

SCHEMATIC



URNS RATIO

1CT : 1CT

Rx (1-3-2) : (7-5-6)  
Tx (16-14-15) : (10-12-11)

PHASING

1 TO 7 AND 16 TO 10 IN PHASE

DCL (-40°C TO +85°C)  
(7-6) OPEN 1-2  
(10-11) OPEN 16-15

350µH MIN  
AT 100kHz 100mVrms  
WITH 8mA DC BIAS

INSERTION LOSS

1.0dB MAX  
AT 100kHz TO 80MHz

RETURN LOSS

MEASURED UNDER 100 Ω  
ENVIRONMENT (16-15) TO (10-11)  
(7-6) TO (1-2)

FREQ(MHz)	2	10	30	45	60	80
dB MIN	20	20	19	16	13	12

RETURN LOSS

MEASURED UNDER 25 AND 100 Ω  
IMPEDANCE ENVIRONMENT ACROSS  
(16-14) AND (10-11)  
RESPECTIVELY

17dB MIN AT 5MHz & 10MHz

CMDR

40dB MIN AT 100kHz TO 50MHz  
30dB MIN ABOVE 50M TO 100MHz

CROSSTALK

30dB MIN AT 100kHz TO 100MHz

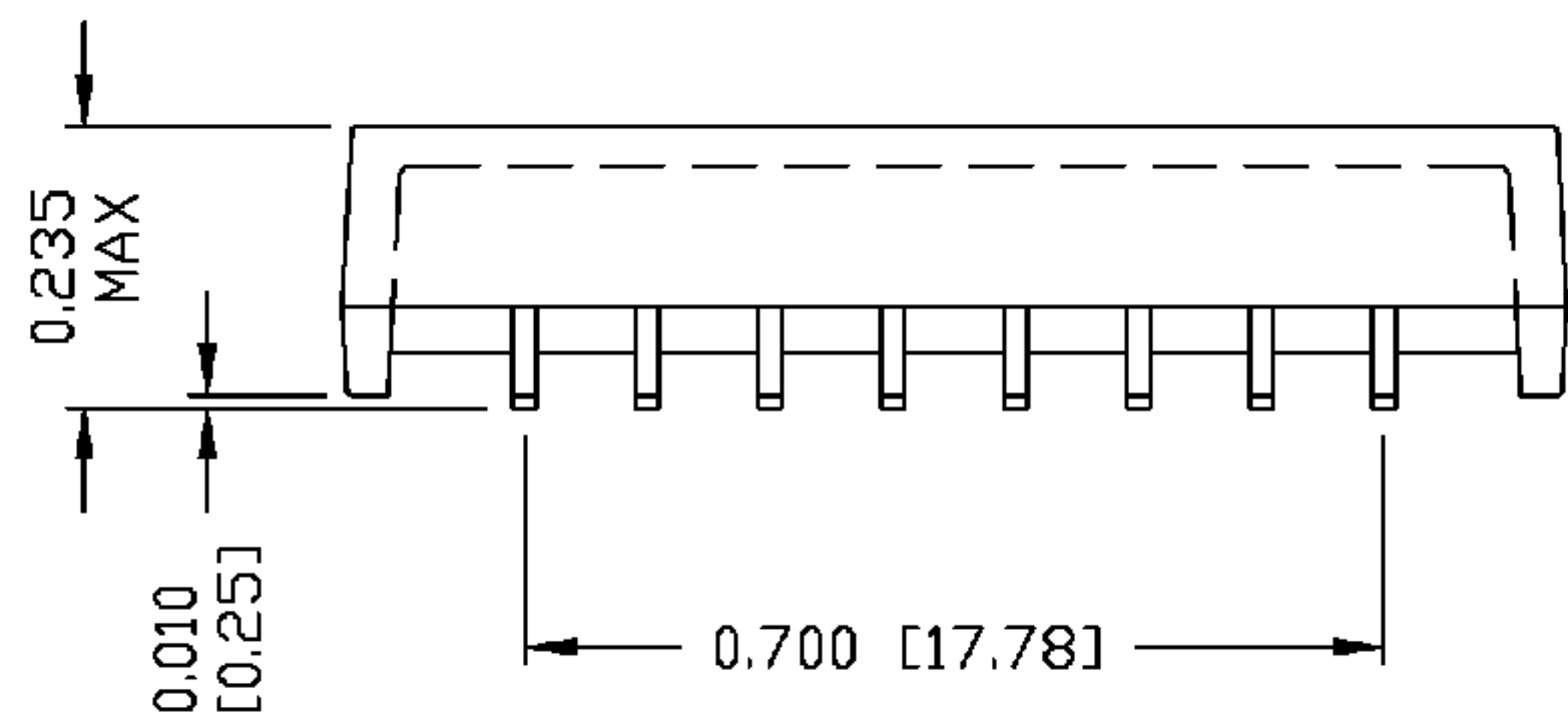
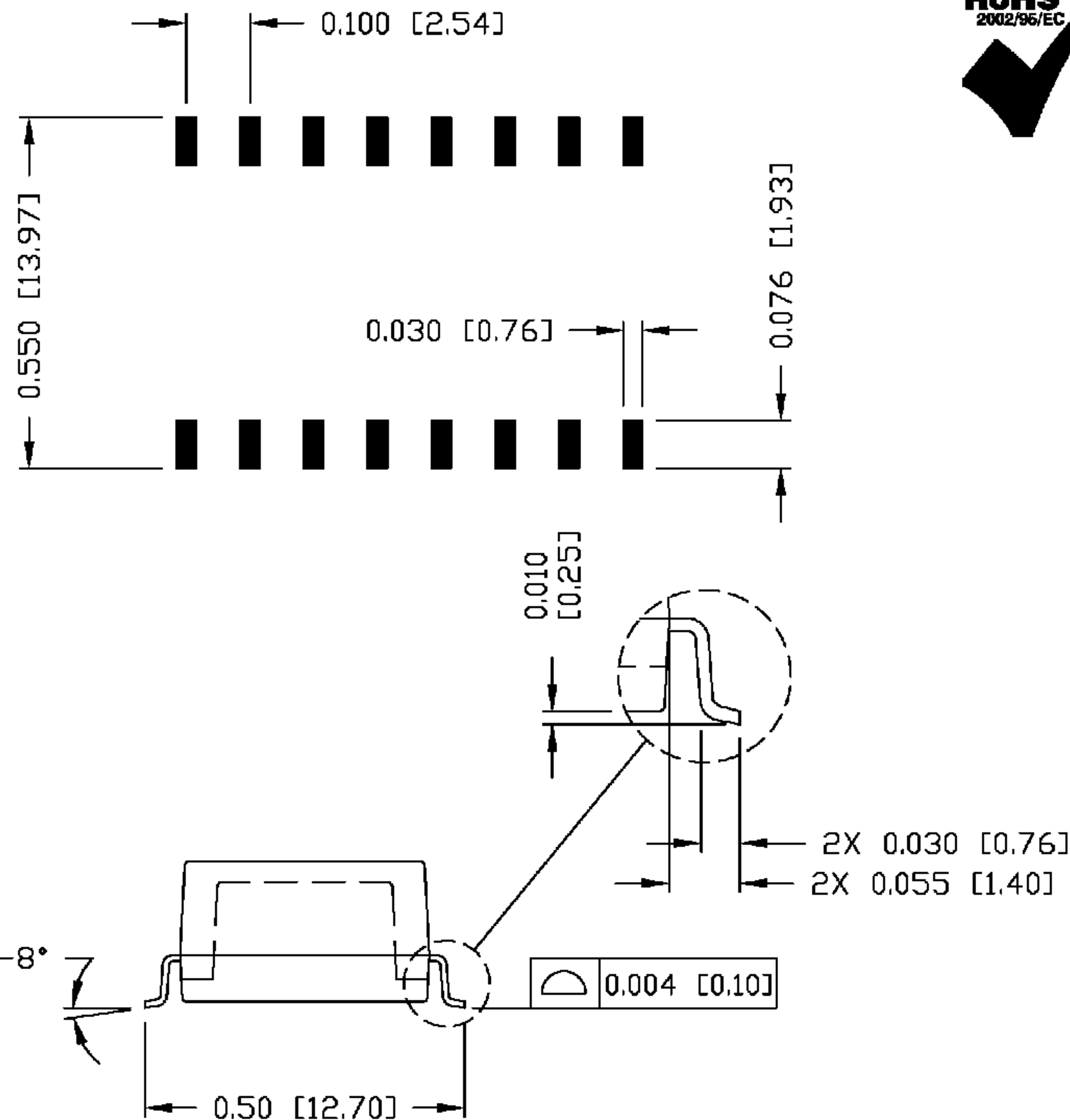
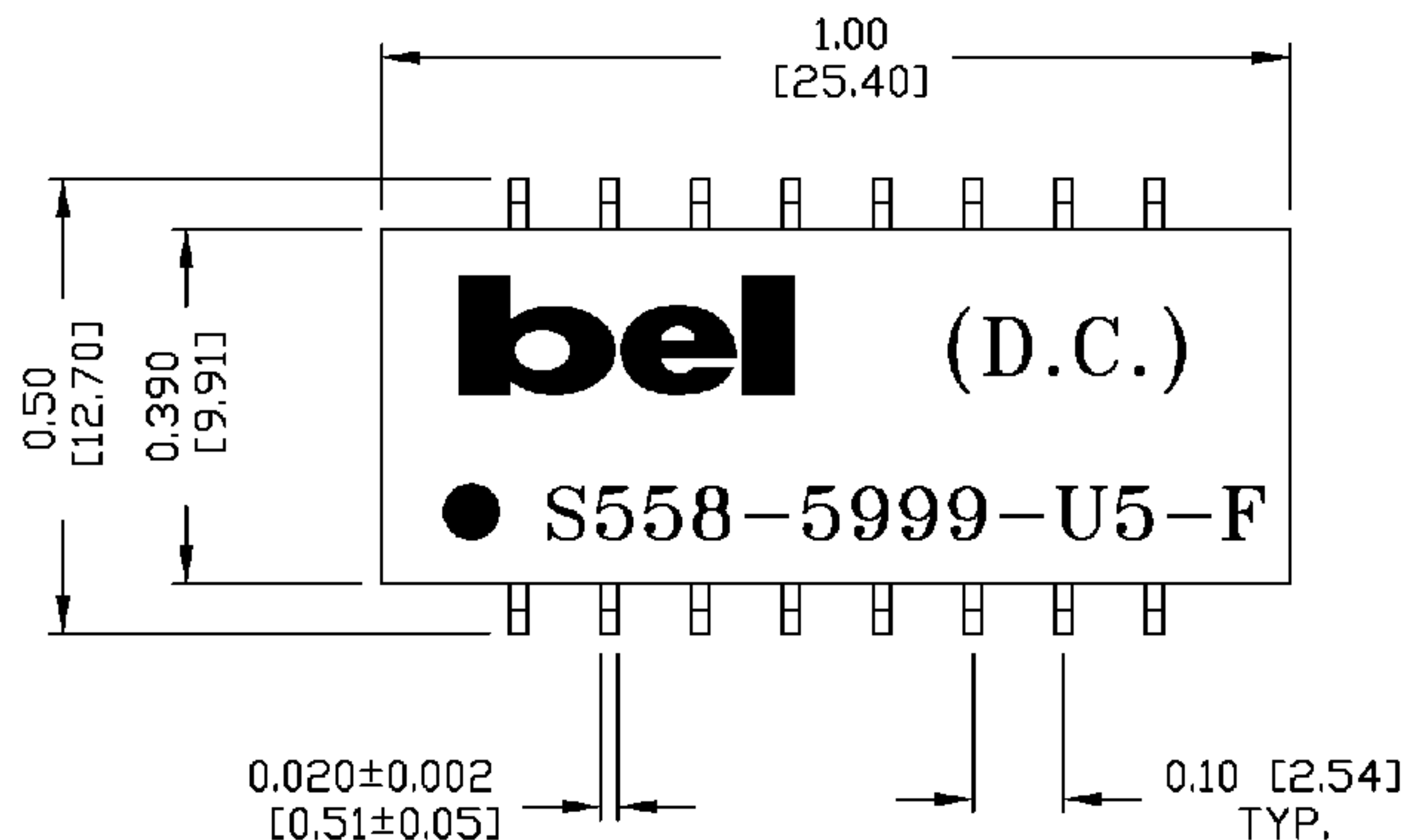
HIPOT

PER HAND-WORK-03

ORIGINATED BY	DATE	TITLE	PART NO. / DRAWING NO.	STANDARD DIM.	[ ] METRIC DIM. AS REFERENCE	 COMPONENTS FOR A CONNECTED PLANET	
HO	02-22-06	10/100BT MAGNETICS MODULE	X5585999U5-F	TOL. IN INCH	UNIT : INCH [mm]		REV. : A
DRAWN BY	DATE	S558-5999-U5-F	FILE NAME	.X	SCALE : N/A		SIZE : A4
DQ Chen	02-22-06		X5585999U5FA.DWG	.XX			PAGE : 2
				.XXX			

THE INFORMATION CONTAINED HEREIN IS CONSIDERED "PROPRIETARY" TO BEL FUSE INC. AND SHALL NOT BE COPIED, REPRODUCED OR DISCLOSED WITHOUT THE WRITTEN APPROVAL OF BEL FUSE INC.

SUGGESTED PCB PAD LAYOUT



2X 0°-8°

NOTES:

1. STANDARD MARKING REFER TO DOC. HAND-WORK-04.
2. PACKAGE CODE: "RNS001".

ORIGINATED BY	DATE	TITLE	PART NO. / DRAWING NO.	STANDARD DIM. TOL. IN INCH	[ ] METRIC DIM. AS REFERENCE	<p>COMPONENTS FOR A CONNECTED PLANET</p>
HO	02-22-06	MECHANICAL DRAWING	X5585999U5-F	.X	UNIT : INCH [mm]	
DRAWN BY	DATE	S558-5999-U5-F	FILE NAME	.XX ±0.01	SCALE : N/A	
DQ Chen	02-22-06		X5585999U5FA.DWG	.XXX ±0.005	REV. : A SIZE : A4 PAGE : 3	