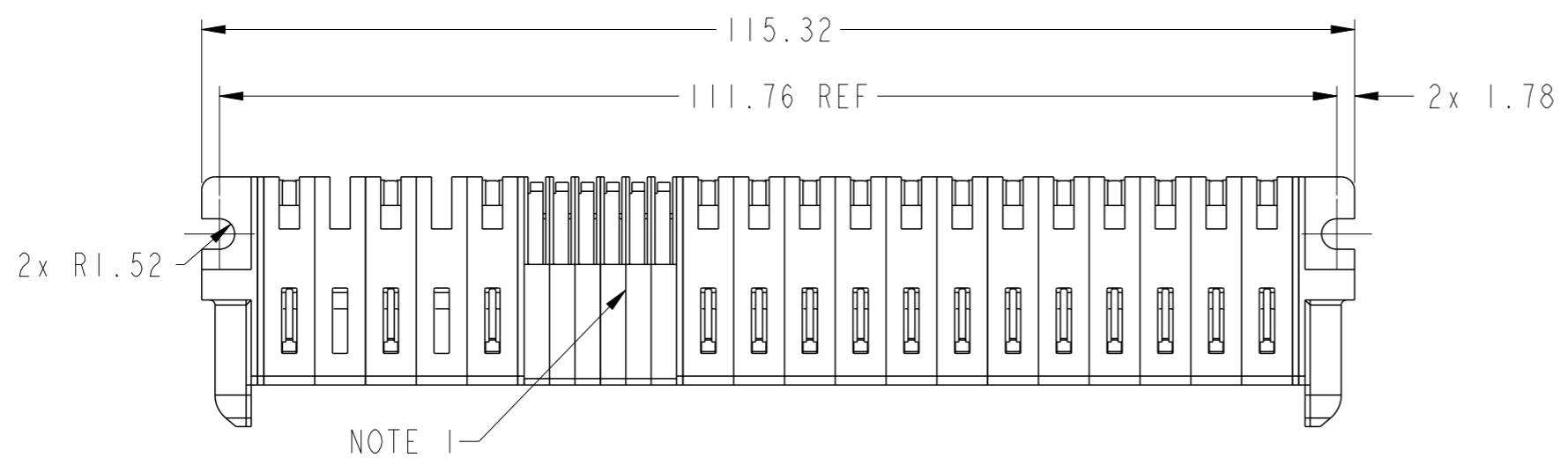
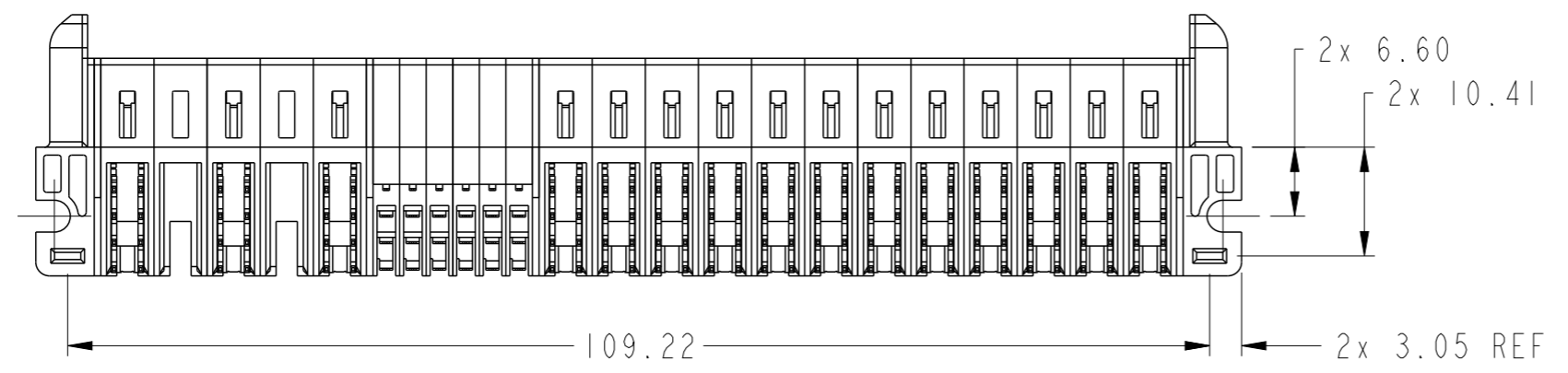
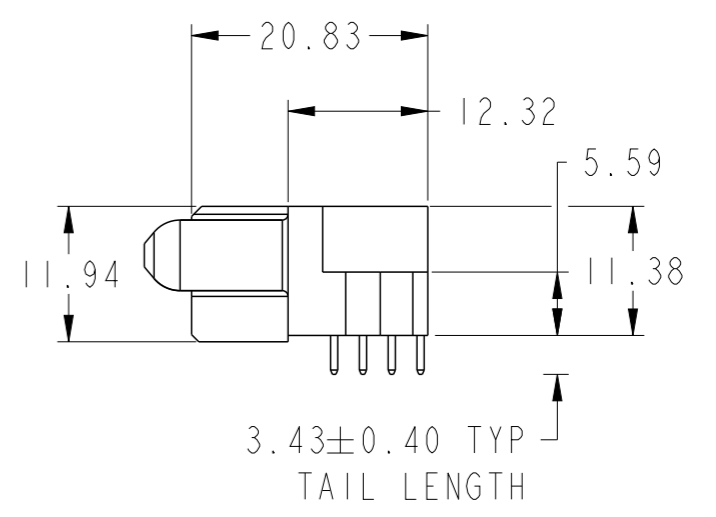
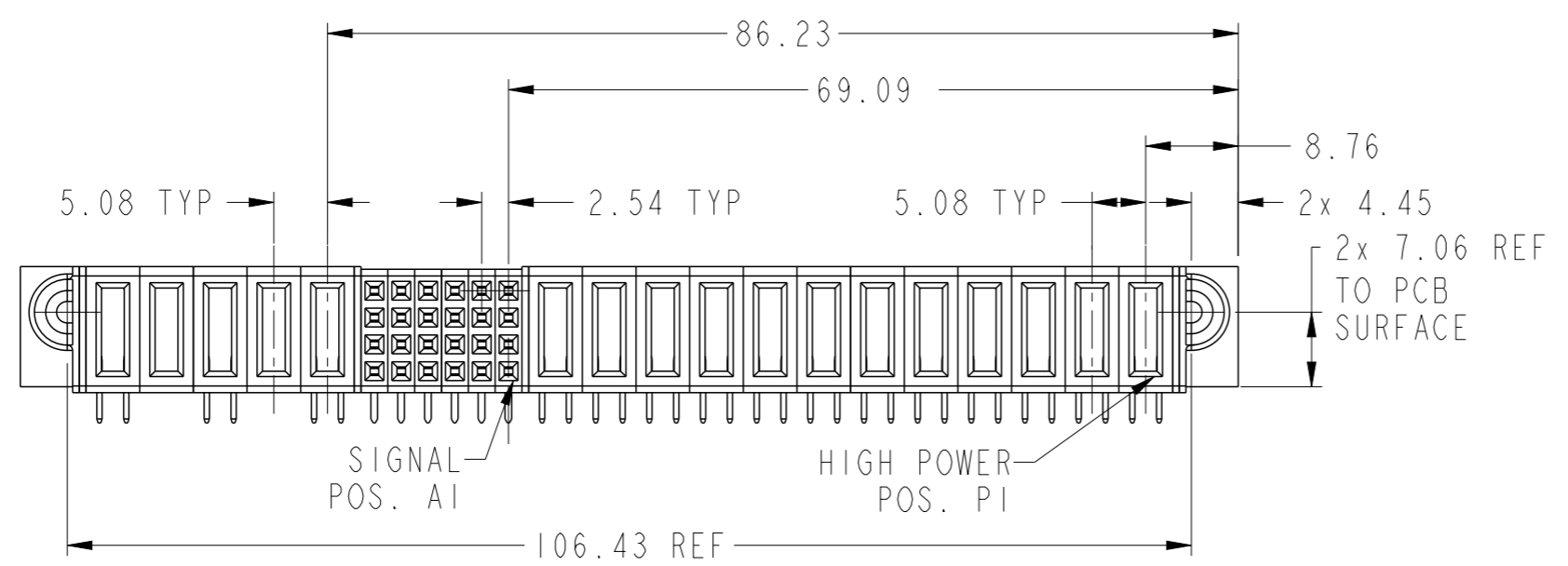


PRODUCT NUMBER SEE SHEET 2



NOTE 1

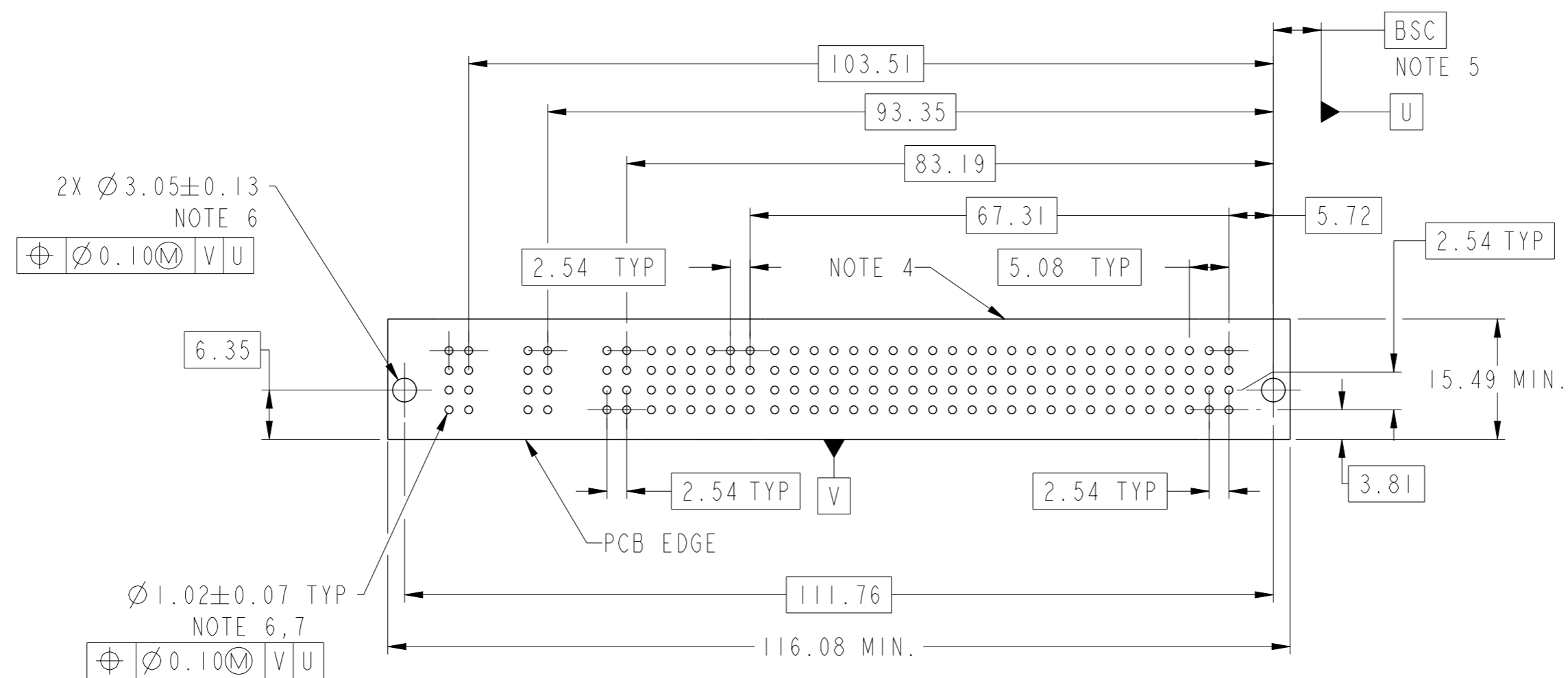


Copyright FCI.

spec ref	*	dr	Rainbow Zhan	2014/08/26	projection	MM	size	A3	scale	3:2
tolerance std	ASME Y14.5	eng	Rainbow Zhan	2014/09/02			ecn no	-	rel level	Released
TOLERANCES UNLESS OTHERWISE SPECIFIED		chr	Li-He	2014/09/02						
surface	<input checked="" type="checkbox"/> linear <input type="checkbox"/> angular	appr	Pei-Ming Zheng	2014/09/02	product family	PwrBlade+	rel level	Released		
ASME Y14.5	linear: 0.X ±0.5, 0.XX ±0.25, 0.XXX ±0.10 angular: 0° ±2°			title: 12HDP + 24S + 5HDP RA STB RECEPTACLE	dwg no: 10106134-H006001	rev: A				
www.fci.com		cat. no.		Product - Customer Drw		sheet 1 of 3				

PRODUCT NO. 10106134-H006001LF	ROWS DCBA	HIGH POWER					SIGNAL					HIGH POWER										E2			
		E1	P17	P16	P15	P14	P13	6	5	4	3	2	1	P12	P11	P10	P9	P8	P7	P6	P5		P4	P3	P2
		H3	X	H3	X	H3	H	H	H	H	H	H	H3	H3	H3	H3	H3	H3	H3	H3	H3	H3	H3	H3	H3
							G	G	G	G	G														
							F	F	F	F	F														
							E	E	E	E	E														

CODE	DESCRIPTION
E	STD SIGNAL CONTACT, ROW A
F	STD SIGNAL CONTACT, ROW B
G	STD SIGNAL CONTACT, ROW C
H	STD SIGNAL CONTACT, ROW D
H3	STD HIGH POWER CONTACT(3.43)
X	OMITTED



dr	Rainbow Zhan	2014/08/26	projection	MM	size	A3	scale	3:2
eng	Rainbow Zhan	2014/09/02			ecn no			
chr	Li-He	2014/09/02			-			
appr	Pei-Ming Zheng	2014/09/02	product family	PwrBlade+	rel level			
					Released			
		title 12HDP + 24S + 5HDP RA STB RECEPTACLE			dwg no 10106134-H006001		rev A	
www.fci.com		cat. no.		Product - Customer Drw			sheet 2 of 3	

Copyright FCI.

NOTES:

- 1) "FCI", PART NUMBER AND DATE CODE TO BE MARKED ON THIS SURFACE.  
THE MARK CAN BE OMITTED IF THERE IS NOT ENOUGH SPACE ON THIS SURFACE.
- 2) MATERIALS:  
-HOUSING - GLASS FILLED WITH HIGH TEMP THERMOPLASTIC, UL94V-0.  
-SIGNAL CONTACT - COPPER ALLOY.  
-POWER CONTACT - HIGH CONDUCTIVITY COPPER ALLOY.
- 3) PLATING SPECIFICATION REFER TO FCI 10116351
- 4) DENOTES CONNECTOR KEEP OUT ZONE.
- 5) DATUM AND BASIC DIMENSIONS WERE ESTABLISHED BY CUSTOMER.
- 6) ALL HOLE DIAMETERS ARE FINISHED HOLE SIZES.
- 7)  $1.15 \pm 0.025$ MM DRILLED HOLE PLATED WITH 0.00762MM MIN Sn  
OVER 0.0254-0.0762MM Cu PLATING TO ACHIEVE A  $1.02 \pm 0.07$ MM HOLE.
- 8) PRODUCT SPECIFICATION REFER TO FCI GS-12-658.  
APPLICATION SPECIFICATION REFER TO FCI GS-20-141.  
PRODUCT PACKAGED IN TRAYS, REFER TO FCI GS-14-1502.
- 9) THE VOID CORING IN BETWEEN POWER MODULES, SIGNAL  
MODULES AND END MODULES ARE OPTIONAL AND THE SHAPE  
MAY BE DIFFERENT FOR OPTIMIZE THE MOLDING PROCESS. THE  
VOID CORING WILL NOT EFFECT TO PRODUCT FUNCTION.



Copyright FCI.

dr	Rainbow Zhan	2014/08/26	projection 	MM 	size	A3	scale	3:2
eng	Rainbow Zhan	2014/09/02			ecn no	-		
chr	Li-He	2014/09/02			rel level	Released		
appr	Pei-Ming Zheng	2014/09/02	product family	PwrBlade+				
		title 12HDP + 24S + 5HDP RA STB RECEPTACLE		dwg no 10106134-H006001	rev A			
www.fci.com		cat. no.	Product - Customer Drw		sheet 3 of 3			