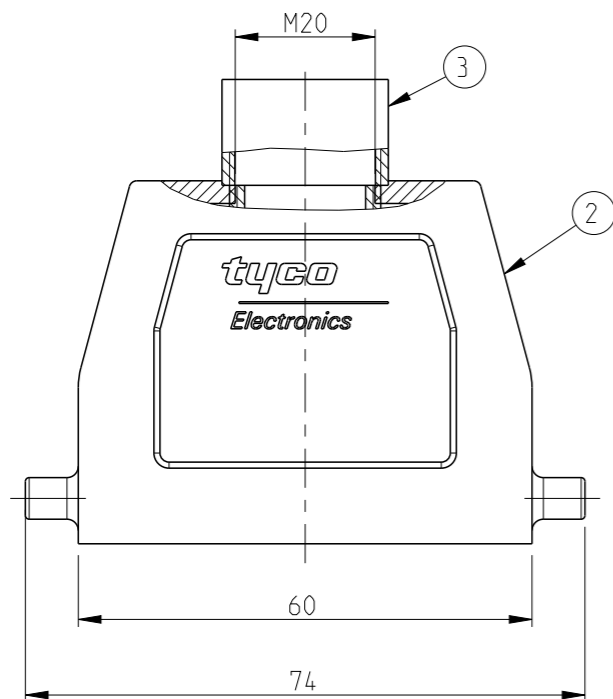
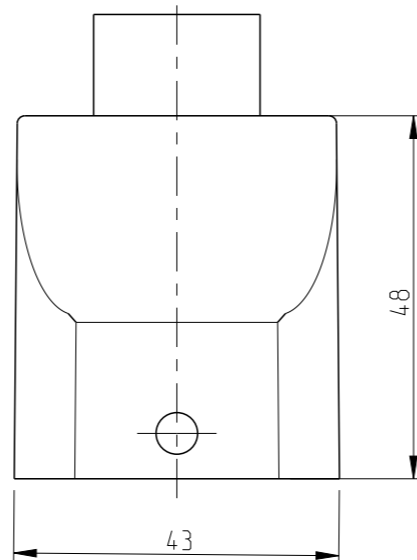


LOC	DIST	REVISIONS					
		P	LTR	DESCRIPTION	DATE	DWN	APVD
A1	-		A5	ECR-15-001994	27FEB2015	RK	MK0

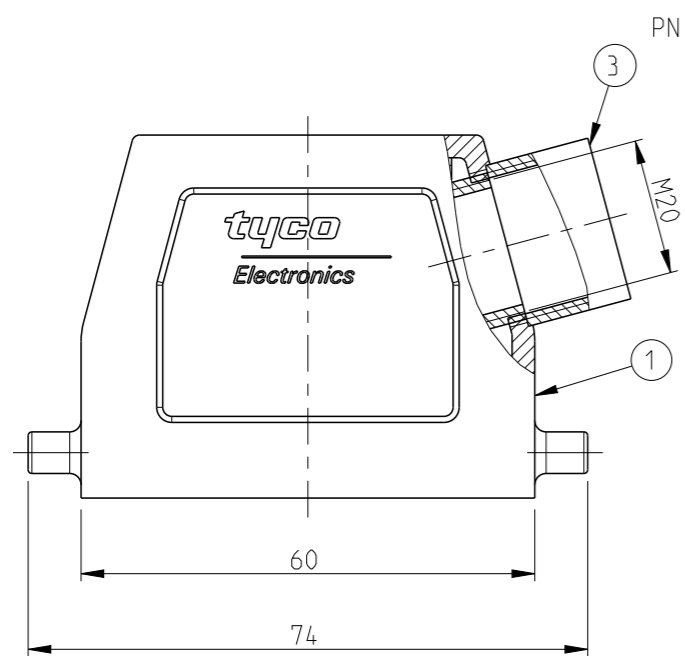


PN 0-2

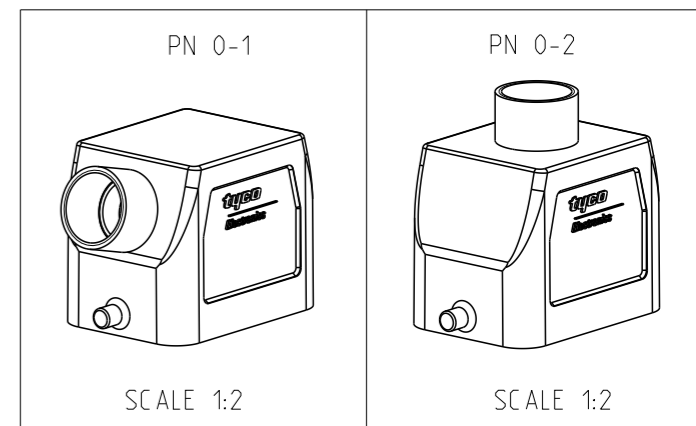
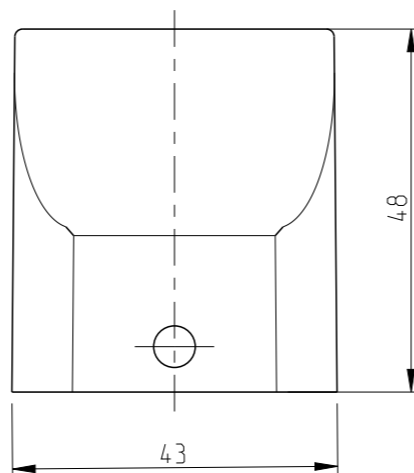


NOTES

- 1 Material: Housing: Aluminium Diecasting Alloy
- 2 Surface: Varnish-grey
- 3 Varnish on the inside not necessary
- 4 Packaging quantity: 5 pieces in a box



PN 0-1



QTY	REF	DESCRIPTION	MATERIAL	SURFACE	COLOR	ITEM NO	NOTES
1	1	Adapter round	Brass	Nickel plated	Blue	3	M20
1	-	Hood HB 6	Aluminium	-	Grey	2	-
-	1	Hood HB 6	Aluminium	-	Grey	1	-

ORDERING TEXT	
HB.6.STS.1.M20.Z	
HB.6.STO.1.M20.Z	

THIS DRAWING IS A CONTROLLED DOCUMENT.		DWN	Schneider	12.11.2002	 TE Connectivity
DIMENSIONS:		CHK	Schweiger	12.11.2002	
mm		APVD	-	-	
		PRODUCT SPEC	-	-	
TOLERANCES UNLESS OTHERWISE SPECIFIED:		APPLICATION SPEC	-	-	NAME
0 PLC ±		WEIGHT	-	-	Hood
1 PLC ±		CUSTOMER DRAWING	-	-	HB.6.STO/STS.1.M20.Z
2 PLC ±		SCALE	1:1	SHEET	1 OF 1
3 PLC ±		RESTRICTED TO	-	REV	A5
4 PLC ±		FINISH	-		
ANGLES ±					