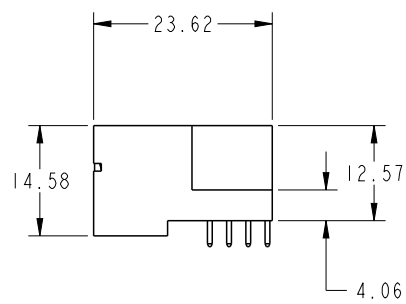
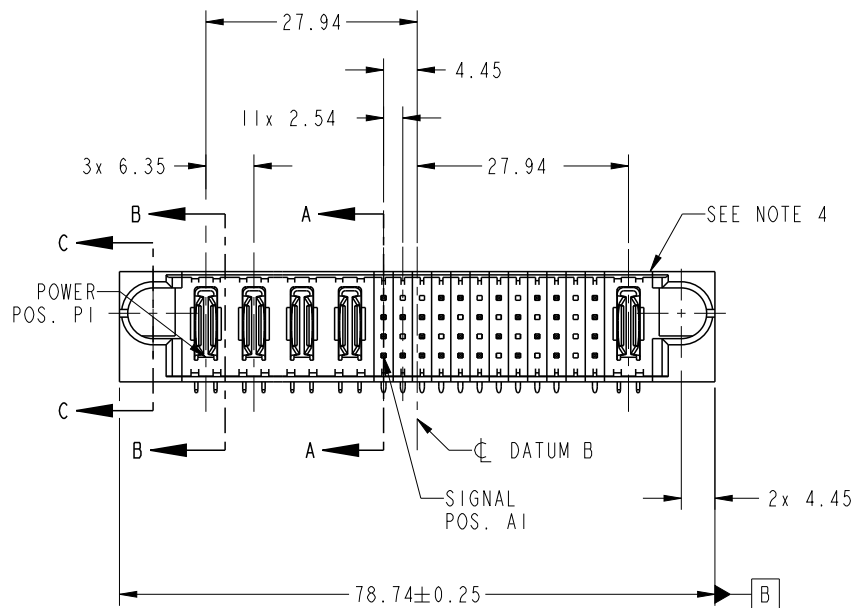


PRODUCT NO.	ROWS	POWER				SIGNAL								POWER								
		E1	P1	P2	P3	P4	1	2	3	4	5	6	7	8	9	10	11	12	P5	E2		
51939-849-- NOTE 3	D C B A		PA	PA	PA	PA	H	X	H	X	U	X	U	H	X	H	X	G	X	G	PA	



CODE	DIM "M" MATING LENGTH	CONTACT TYPE
H	[5.59]	SIGNAL
G	[5.59]	SIGNAL
F	[5.59]	SIGNAL
E	[5.59]	SIGNAL
S	[6.86]	SIGNAL
U	[6.86]	SIGNAL
T	[6.86]	SIGNAL
R	[6.86]	SIGNAL
PA	[N/A]	POWER
X	[N/A]	OMITTED

spec ref	*	dr	De-Ming Lu	2014/03/25	projection 	MM 	size	A4	scale	1:1
tolerance std	TOLERANCES UNLESS OTHERWISE SPECIFIED	eng	De-Ming Lu	2014/07/03			ecn no	ELX-DG-18112-1		
ASME Y14.5		chr	-	-				rel level	Released	
surface	linear	appr	Pei-Ming Zheng	2014/07/03	product family	PwrBlade				
ASME Y14.5		angular	0°	±2°	title	4P + 48S + 1P RIGHT ANGLE SOLDER HEADER				
					www.fci.com	cat. no.	-	Product - Customer Drw	sheet 1 of 4	
						dwg no	51939-849		rev	B

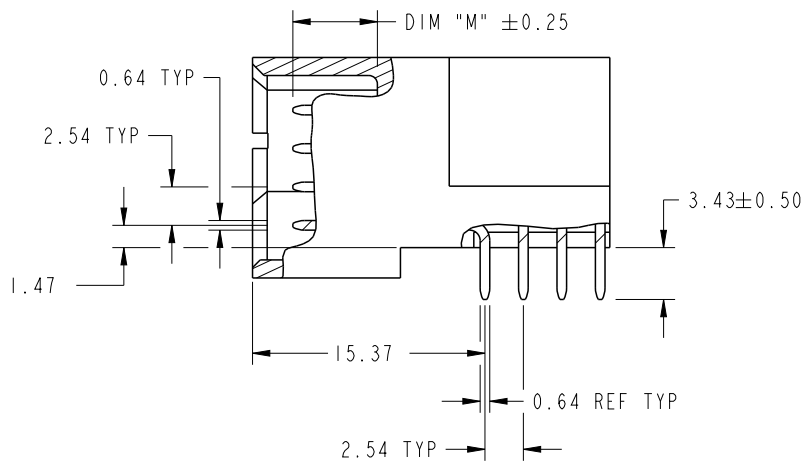


Copyright FCI.

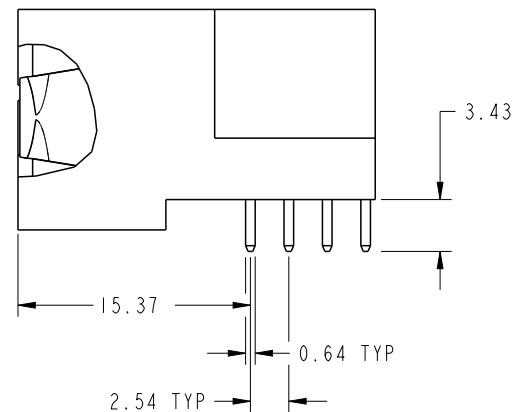
PrdE File - REV C - 2009-06-09

PRODUCT NUMBER

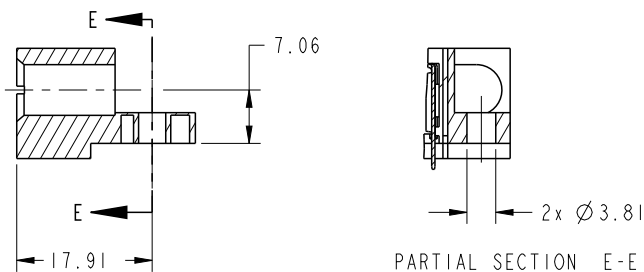
51939-849--  
NOTE: 3



BROKEN-OUT SECTION A-A  
SCALE 2:1



BROKEN-OUT SECTION B-B  
SCALE 2:1



SECTION C-C

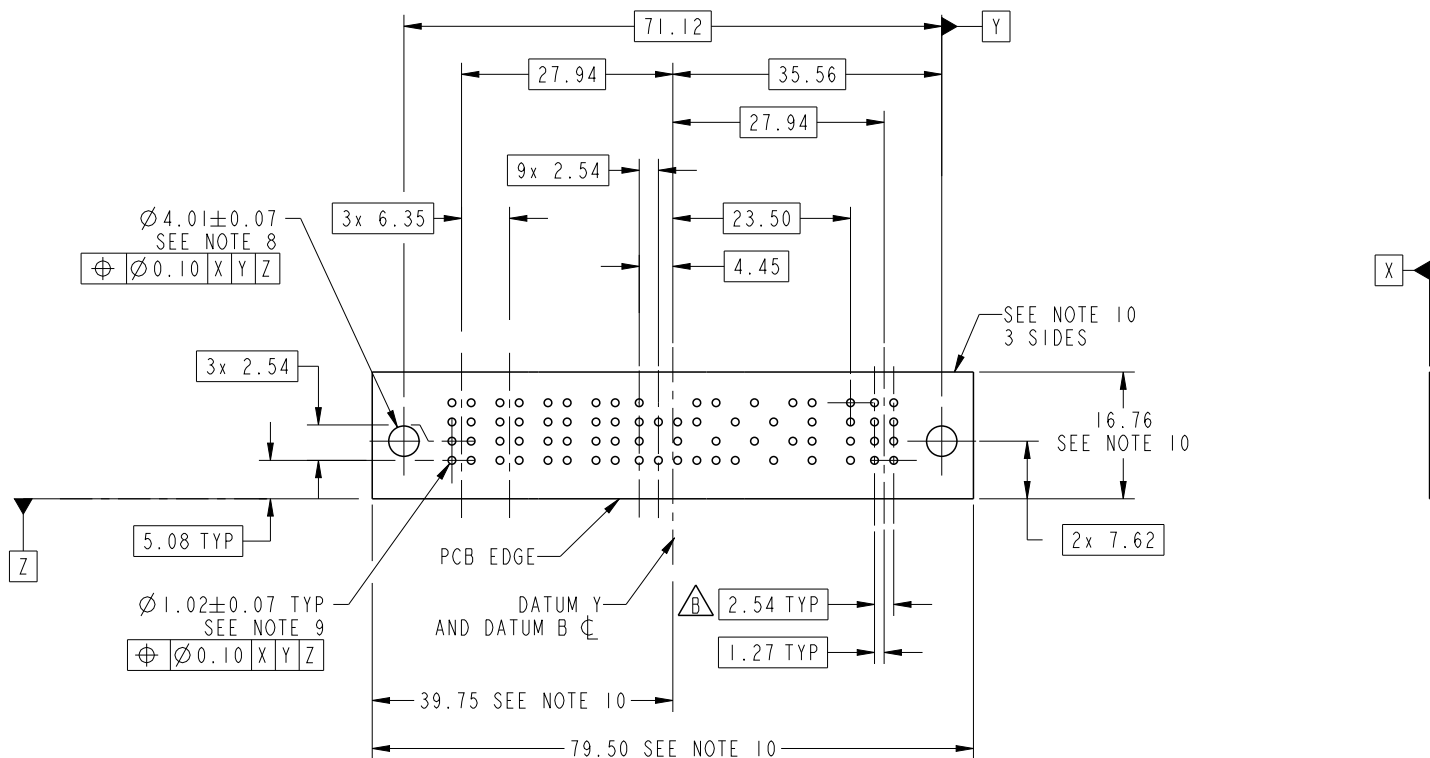
PARTIAL SECTION E-E

dr	De-Ming Lu	2014/03/25	projection 	MM ←→	size	A4	scale	1:1
eng	De-Ming Lu	2014/07/03			ecn no	ELX-DG-18112-1		
chr	-	-			rel level	Released		
appr	Pei-Ming Zheng	2014/07/03	product family	PwrBlade		rev	B	
		title			4P + 48S + 1P		dwg no	
www.fci.com		cat. no.			-		Product - Customer Drw	
							sheet 2 of 4	



PRODUCT NUMBER

51939-849\_\_  
NOTE: 3



RECOMMENDED PCB LAYOUT

dr	De-Ming Lu	2014/03/25	projection 	MM 	size	A4	scale	1:1
eng	De-Ming Lu	2014/07/03			ecn no	ELX-DG-18112-1		
chr	-	-			rel level	Released		
appr	Pei-Ming Zheng	2014/07/03	product family	PwrBlade		rel level	Released	
	title	4P + 48S + IP RIGHT ANGLE SOLDER HEADER			dwg no	51939-849		rev
www.fci.com	cat. no.	-	Product - Customer Drw			sheet 3 of 4		

PRODUCT NUMBER  
51939-849--  
NOTE: 3

NOTES:

1. DIMENSIONS AND TOLERANCES ARE IN ACCORDANCE WITH ASME Y14.5M, 1994 UNLESS OTHERWISE SPECIFIED.

CONNECTOR NOTES:

- 2. HOUSING MATERIAL: UL 94 V-0 GLASS FILLED HIGH-TEMP THERMOPLASTIC  
POWER CONTACT MATERIAL: COPPER ALLOY  
SIGNAL PIN MATERIAL: COPPER ALLOY
- 3. SEE ITEM 1 & 2 IN PRINT 10064183 FOR PLATING SPEC OF 51939-849 AND 51939-849LF RESPECTIVELY.
- 4. MANUFACTURER'S NAME, DATE CODE AND OPTIONAL P/N TO APPEAR ON THIS SURFACE. THE MARK CAN BE OMITTED IF THERE IS NOT ENOUGH SPACE ON THIS SURFACE.
- 5. PRODUCT SPECIFICATION GS-12-149.  
APPLICATION SPECIFICATION BUS-20-067.
- 6. PACKAGED IN TRAYS.

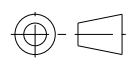

PCB NOTES:

- 7. ALL HOLE DIAMETERS ARE FINISHED HOLE SIZE.
- 8. MOUNTING HOLES, WHERE APPLICABLE, ARE UNPLATED.
- 9.  $\varnothing 1.151 \pm 0.025$  DRILLED HOLES PLATED WITH  
0.008 MIN SnPb OR Sn OVER 0.03  
TO 0.08 Cu PLATING TO ACHIEVE  
 $\varnothing 1.02 \pm 0.07$  HOLE.
- 10. CONNECTOR KEEP-OUT ZONE.

11. A  SYMBOL WILL BE NEXT TO ANY DIMENSION, VIEW, OR NOTE WHICH HAS BEEN MODIFIED WITH THE CURRENT DRAWING REVISION.



Copyright FCI.

dr	De-Ming Lu	2014/03/25	projection 	MM 	size	A4	scale	1:1			
eng	De-Ming Lu	2014/07/03			ecn no	ELX-DG-18112-1					
chr	-	-			product family	PwrBlade	rel level	Released			
appr	Pei-Ming Zheng	2014/07/03	FCI		title	4P + 48S + 1P RIGHT ANGLE SOLDER HEADER		dwg no	51939-849	rev	B
www.fci.com		cat. no.	-	Product - Customer Drw			sheet 4 of 4				