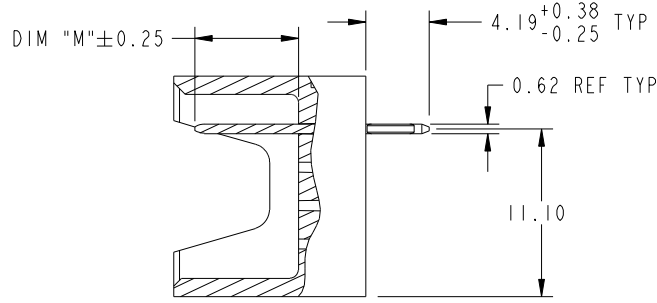
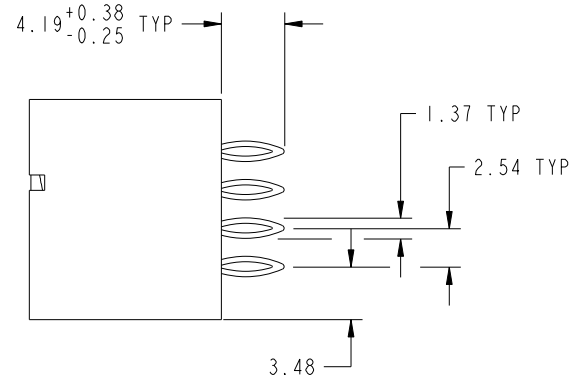




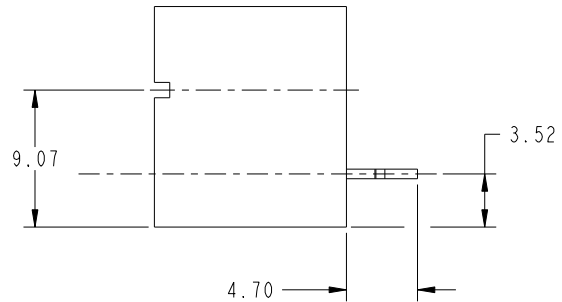
PRODUCT NUMBER  
51952-294\_\_  
NOTE 3



SECTION A-A  
SCALE 2:1



SCALE 2:1



SCALE 2:1

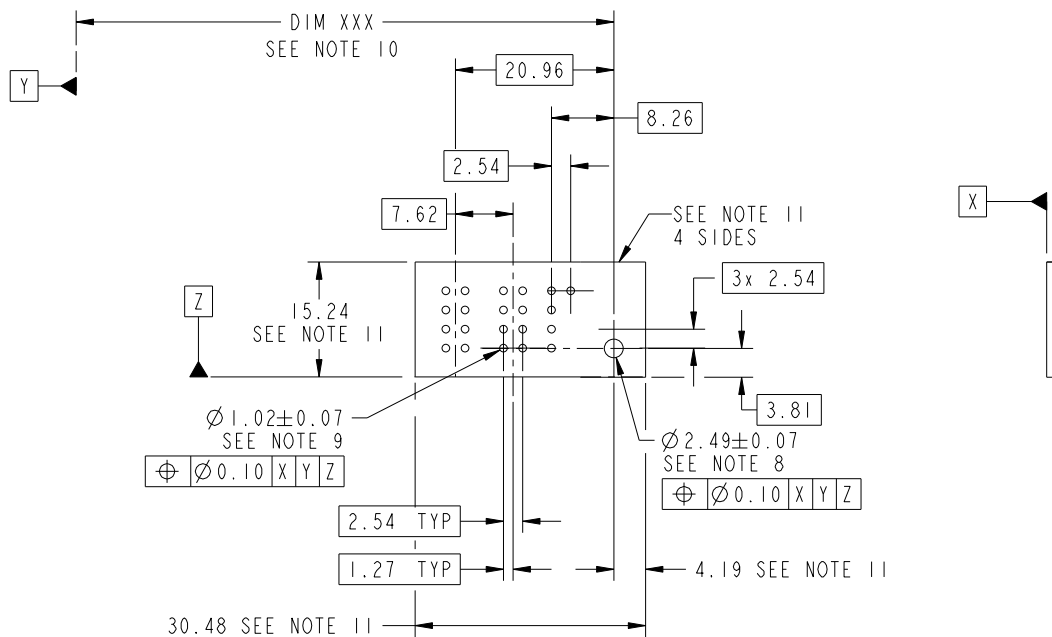


Copyright FCI.

dr	Luo Weller	2014/11/17	projection 	MM	size	A4	scale	1:1
eng	Luo Weller	2014/12/17			ecn no	-		
chr	-	-	product family	PwrBlade	rel level	Released		
appr	Pei-Ming Zheng	2014/12/17	title		2ACP + 8S	dwg no		51952-294
www.fci.com			title		VERTICAL PF HEADER	rev		A
cat. no.		&model_name		Product - Customer Drw			sheet 2 of 4	

PRODUCT NUMBER

51952-294\_\_  
NOTE 3



Copyright FCI.

dr	Luo Weller	2014/11/17	projection	MM	size	A4	scale	1:1	
eng	Luo Weller	2014/12/17			ecn no	-			
chr	-	-		product family	PwrBlade	rel level	Released		
appr	Pei-Ming Zheng	2014/12/17		title	2ACP + 8S		dwg no	51952-294	
					VERTICAL PF HEADER			rev	A
www.fci.com	cat. no.	&model_name	Product - Customer Drw			sheet 3 of 4			

PRODUCT NUMBER

51952-294\_\_  
NOTE 3

NOTES:

NOTES:

1. DIMENSIONS AND TOLERANCES ARE IN ACCORDANCE WITH ASME Y14.5M, 1994 UNLESS OTHERWISE SPECIFIED.

CONNECTOR NOTES:

- ② HOUSING MATERIAL: UL 94 V-0 GLASS FILLED HIGH-TEMP THERMOPLASTIC  
POWER CONTACT MATERIAL: COPPER ALLOY  
SIGNAL PIN MATERIAL: COPPER ALLOY
- 3. SEE ITEM 3 & 4 IN PRINT 10064183 FOR PLATING SPEC OF 51952-293 AND 51952-293LF RESPECTIVELY.

④ MANUFACTURER'S NAME, DATE CODE AND OPTIONAL P/N TO APPEAR ON THIS SURFACE. THE P/N CAN BE OMITTED IF THERE IS NOT ENOUGH SPACE ON THIS SURFACE.

5. PRODUCT SPECIFICATION GS-12-149.  
APPLICATION SPECIFICATION BUS-20-067.

6. PACKAGED IN TRAYS.

PCB NOTES:

- 7. ALL HOLE DIAMETERS ARE FINISHED HOLE SIZE.
- 8. MOUNTING HOLES, WHERE APPLICABLE, ARE UNPLATED.

⑨  $\varnothing 1.151 \pm 0.025$  DRILLED HOLES PLATED WITH  
0.008 MIN SnPb OR Sn OVER .001 [0.03]  
TO 0.08 Cu PLATING TO ACHIEVE  
 $\varnothing 1.02 \pm 0.07$  HOLE.

⑩ "DIM XXX" TO BE DETERMINED BY THE CUSTOMER.

⑪ CONNECTOR KEEP-OUT ZONE.

12. FOR PRESS FIR APPLICATION USE CAM TOOL 430169-XXX.

dr	Luo Weller	2014/11/17	projection	MM	size	A4	scale	1:1
eng	Luo Weller	2014/12/17			ecn no	-		
chr	-	-			rel level	Released		
appr	Pei-Ming Zheng	2014/12/17	product family	PwrBlade				
	title	2ACP + 8S		dwg no	51952-294		rev	A
www.fci.com	cat. no.	&model_name	Product - Customer Drw		sheet 4 of 4			