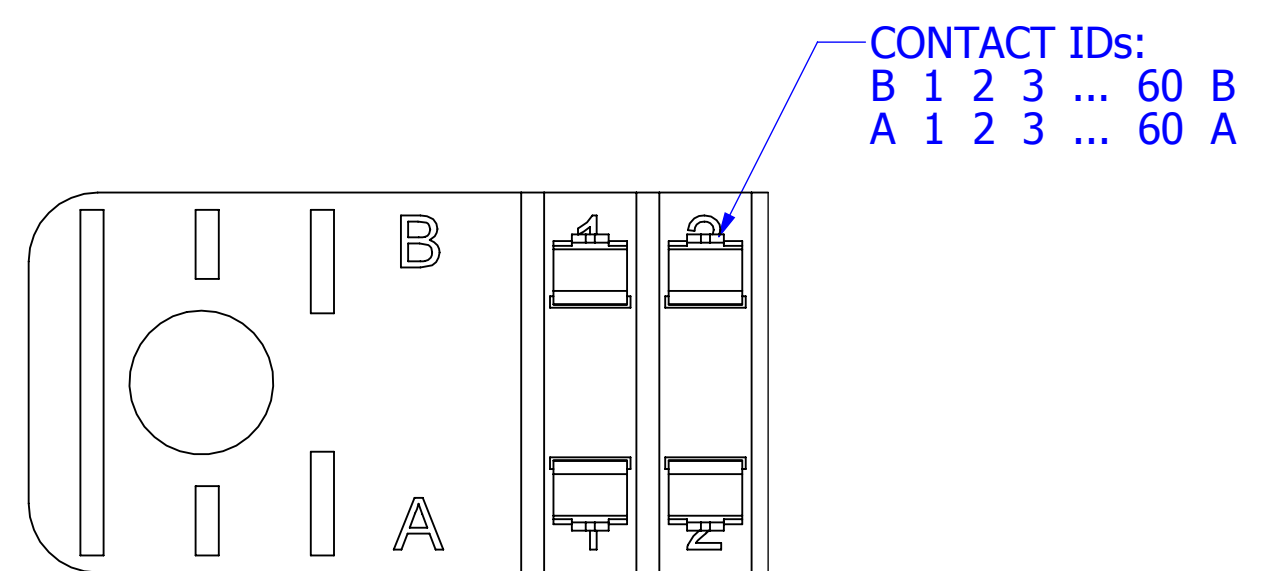
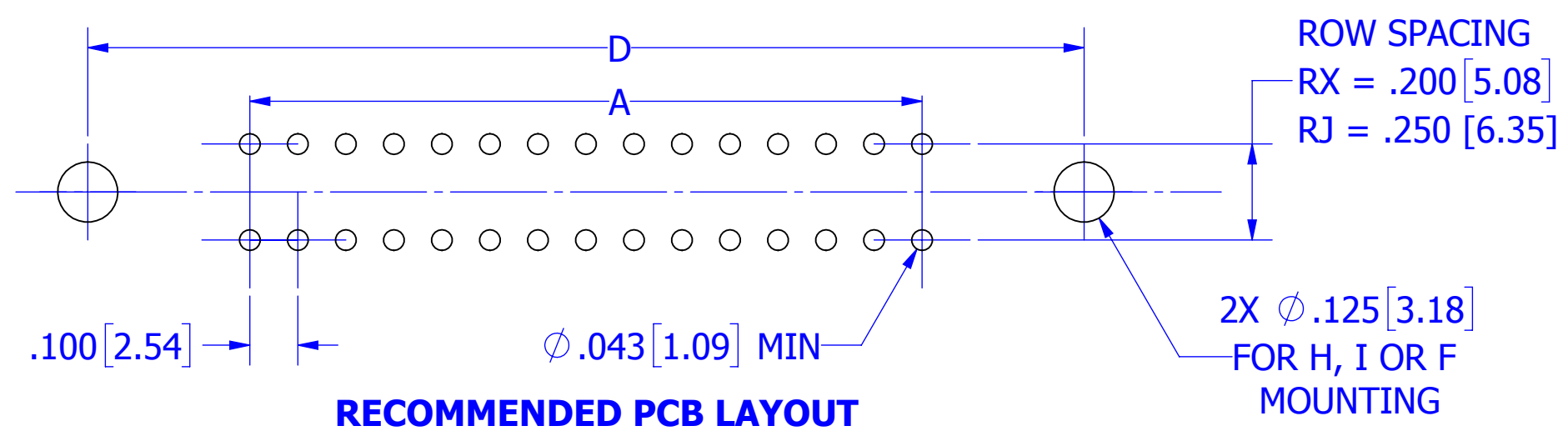
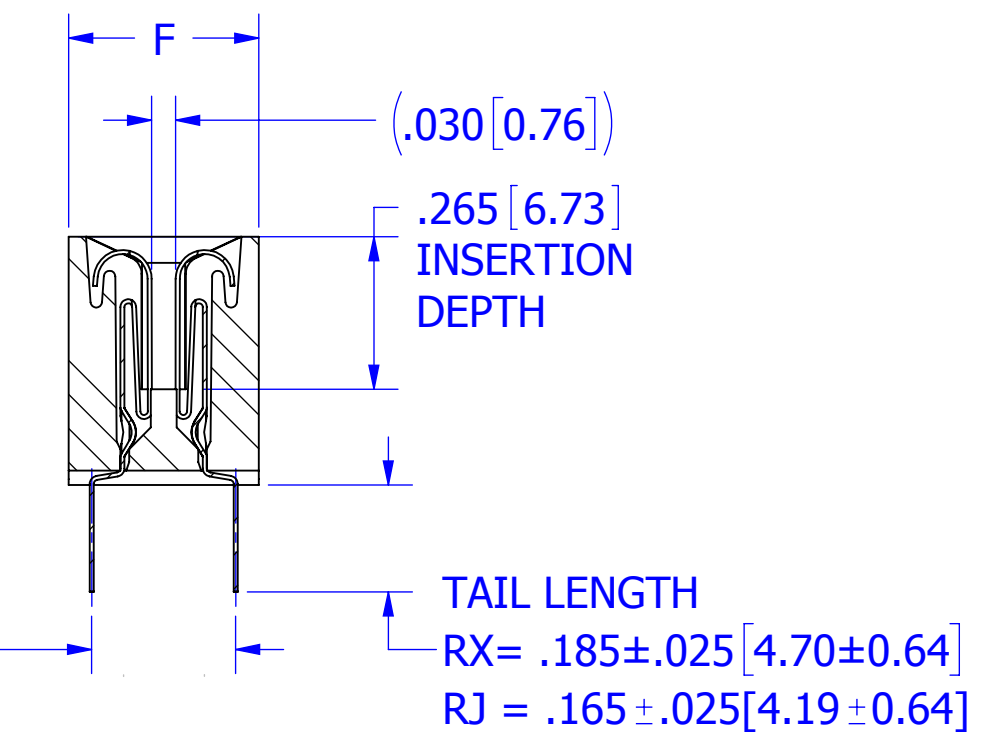
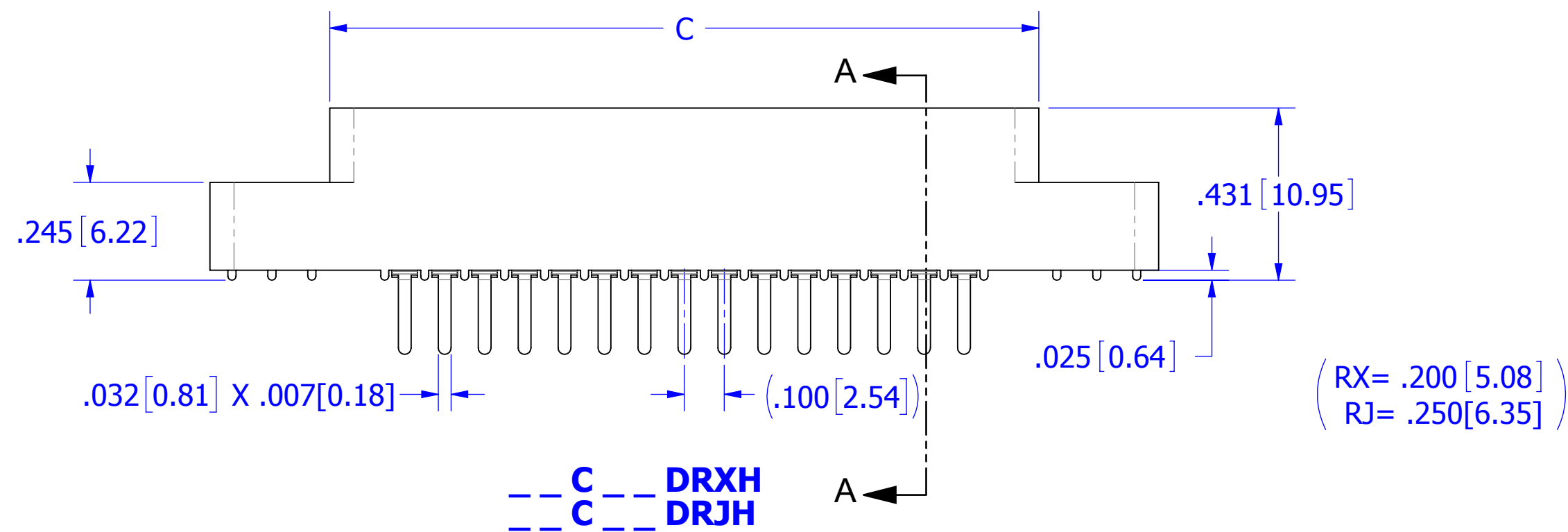
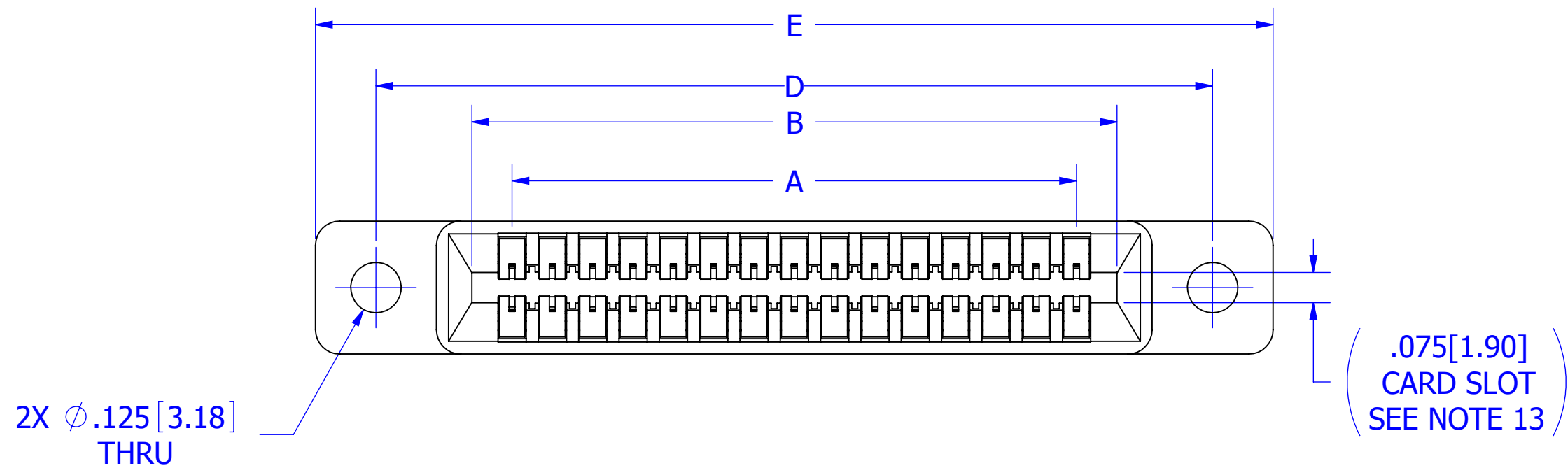


REVISIONS				
REV.	ECO. NO	DESCRIPTION	DATE	BY
H	3771	ADD 32 POSITION	11/28/2017	JT
J	3804	UPDATE P/N TO INCLUDE MOLDED KEY IN POSITION OPTION, OBSOLETE DWG 13146, 13136, 13073, 12989, 12955, 12810, 12578, 12540, 12770, 12629, 12539, 11987, 11219, 10569 (REPLACE WITH DWG 10881)	JH	1/22/2018

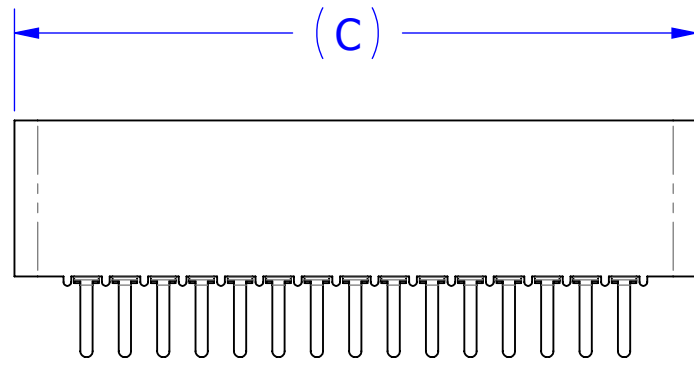
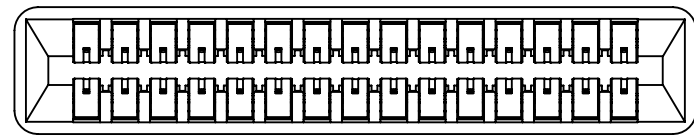


- NOTES:**
1. INSULATOR MATERIAL: SEE PART NUMBER CODING
 2. CONTACT MATERIAL: SEE PART NUMBER CODING
 3. PLATING: SEE PART NUMBER CODING
 4. OPERATING TEMPERATURE: SEE PART NUMBER CODING
 5. PROCESSING TEMP: SEE PART NUMBER CODING
 6. UL FLAMMABILITY RATING: 94V-0
 7. OPERATING VOLTAGE: 700 VAC
 8. CURRENT RATING: 3 AMP
 9. CONTACT RESISTANCE: 30 MILLI OHMS MAX
 10. INSULATION RESISTANCE: 5000 MEGA OHMS
 11. DURABILITY: 500 CYCLES MINIMUM
 12. CONNECTOR IDENTIFICATION: THE PART SHALL BE MARKED WITH A PART NUMBER AND LOT CODE
 13. BOARD THICKNESS ACCOMMODATED: $.062 \pm .008 [1.57 \pm 0.20]$
 14. INSERTION FORCE: 16 OZ MAX PER CONTACT PAIR WHEN USING A $.062 [1.57]$ TEST BLADE
INTERNAL INSPECTION TO BE PER SULLINS WORK INSTRUCTION WI7.3-01
 15. WITHDRAWAL FORCE: 1 OZ MIN PER CONTACT PAIR USING $.062 [1.57]$ TEST BLADE
 16. MODIFICATION: SEE PART NUMBER CODING

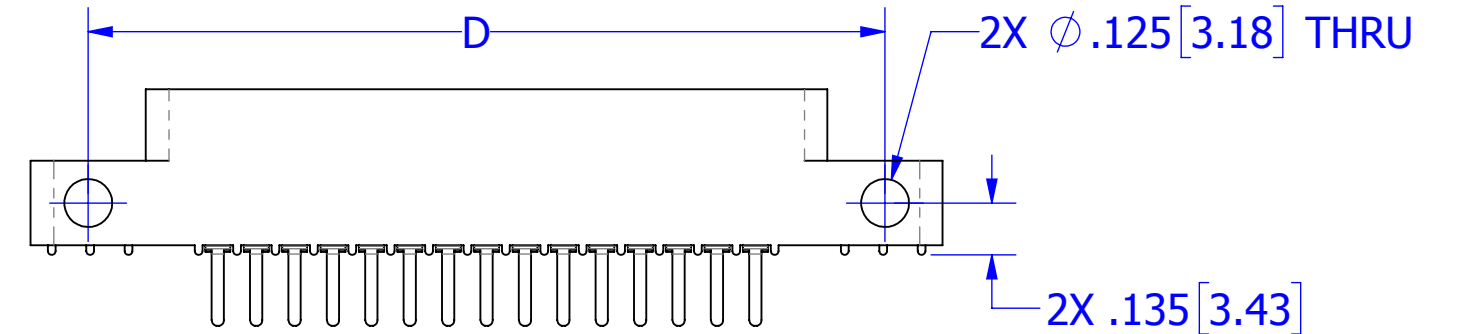
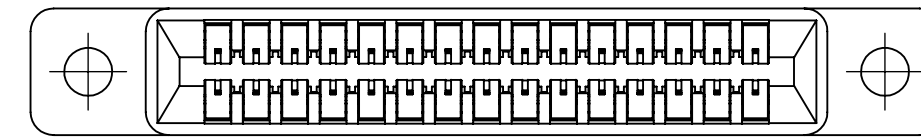


UNLESS OTHERWISE SPECIFIED: DIMENSIONS ARE IN INCHES [MM]		DRAWN	DATE	NAME	
			6/14/2012	JH	
TOLERANCES: ANGULAR: $\pm 1^\circ$ DECIMALS .XX = $\pm .02 [.5]$.XXX = $\pm .005 [.13]$.XXXX = $\pm .0005 [.013]$					TITLE CONNECTOR, .100 CC LP
THE INFORMATION HEREIN CONTAINS PROPRIETARY INFORMATION OF SULLINS ELECTRONICS AND IS NOT TO BE REPRODUCED, USED OR DISCLOSED TO OTHERS FOR ANY PURPOSE EXCEPT AS SPECIFICALLY AUTHORIZED IN WRITING BY AN OFFICER OF SULLINS ELECTRONICS.					PART NUMBER __ C __ D (RX,RJ) _ (S38, S73, S81, S328, S1098, S1860)
SIZE	CAGE CODE	DWG. NO.	REV		
C	54453	C10881	J		
SCALE: 2:1		SHEET 1 OF 4			

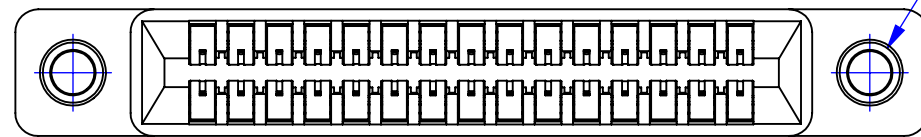
CUSTOMER COPY



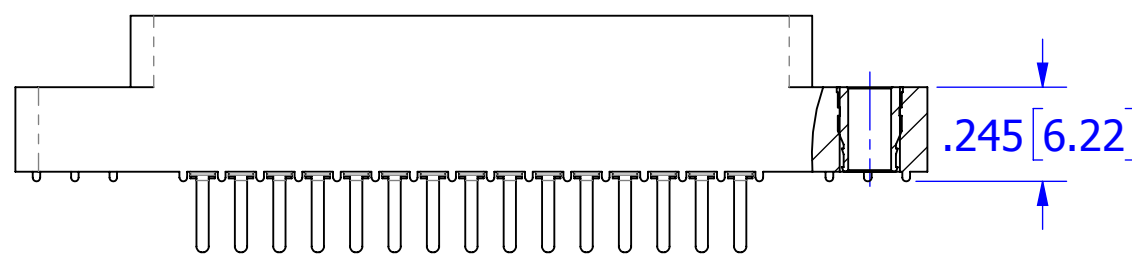
--- C --- DRXN
--- C --- DRJN



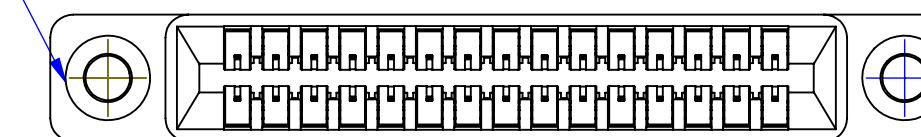
--- C --- DRXS
--- C --- DRJS



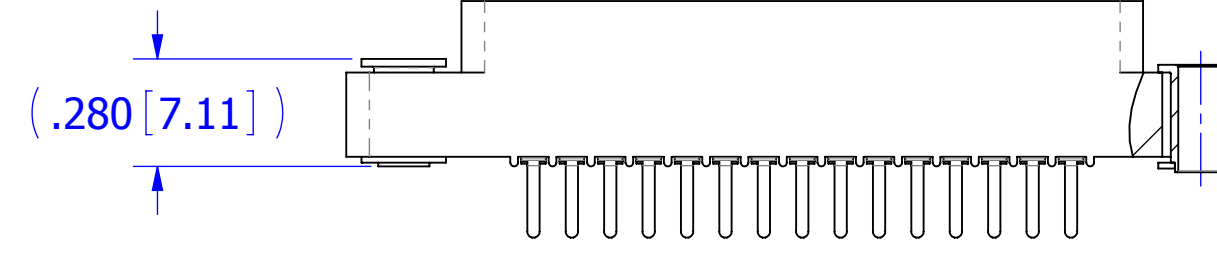
2X #4-40
THREADED INSERTS



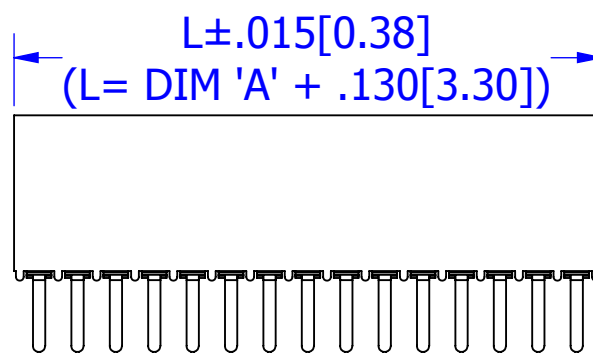
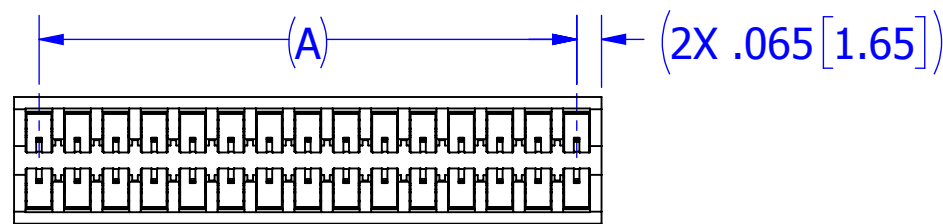
--- C --- DRXI
--- C --- DRJI



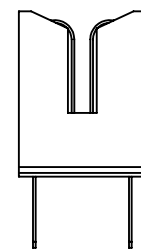
2X FLOATING BOBBIN
Ø .116 [2.95] CLEARANCE
FOR # 4 SCREW



--- C --- DRXF
--- C --- DRJF



--- C --- DRXB
--- C --- DRJB



CUSTOMER COPY

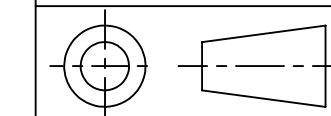


UNLESS OTHERWISE SPECIFIED:
DIMENSIONS ARE IN INCHES [MM]

TOLERANCES:
ANGULAR: ± 1°
DECIMALS
.XX = ± .02 [.5]
.XXX = ± .005 [.13]
.XXXX = ± .0005 [.013]

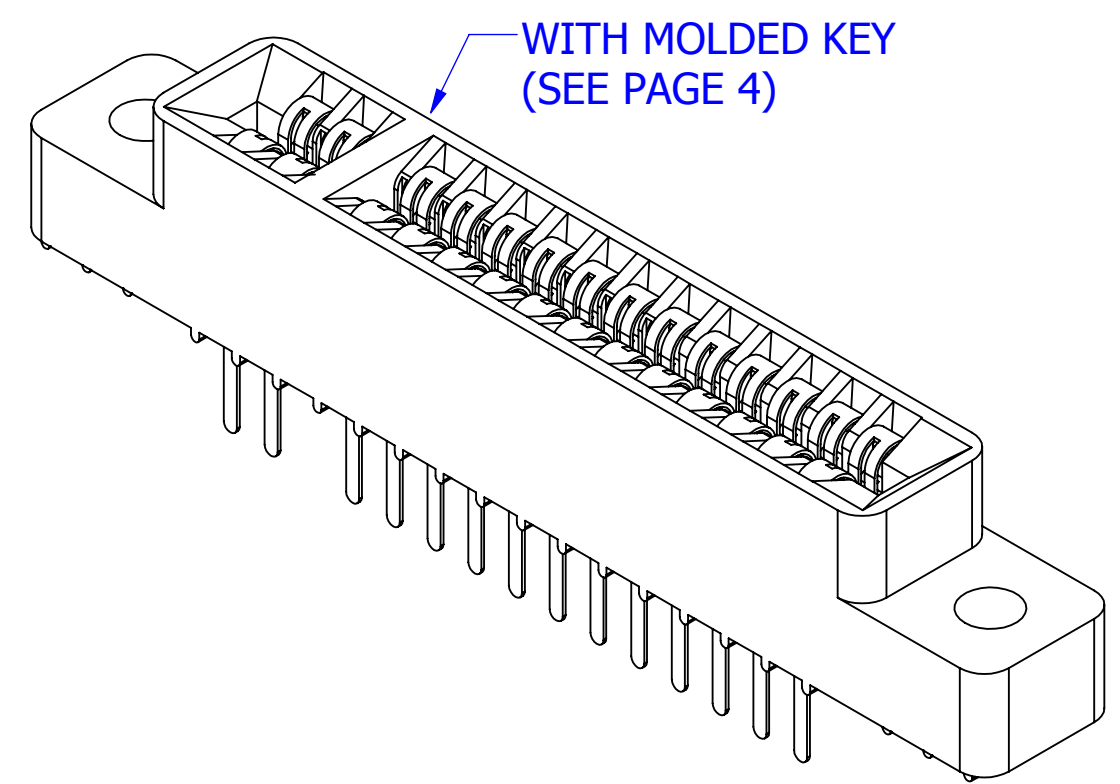
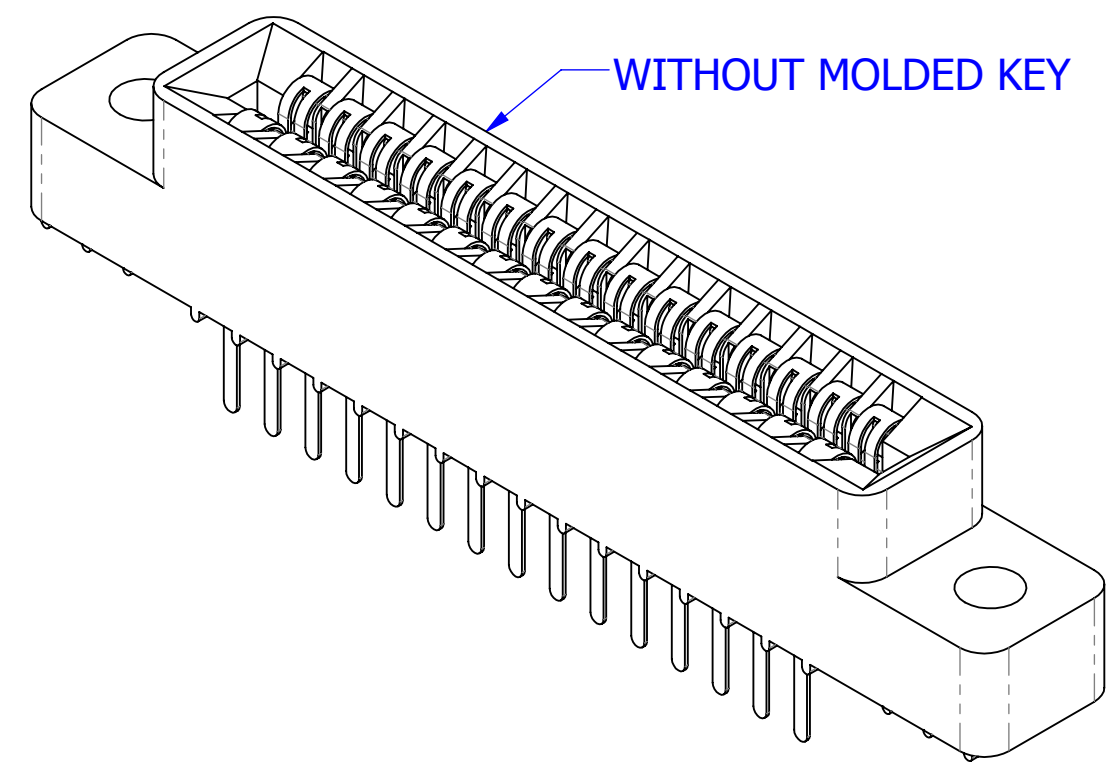
DRAWN DATE NAME
6/14/2012 JH

THE INFORMATION HEREIN CONTAINS
PROPRIETARY INFORMATION OF
SULLINS ELECTRONICS AND IS NOT
TO BE REPRODUCED, USED OR
DISCLOSED TO OTHERS FOR ANY
PURPOSE EXCEPT AS SPECIFICALLY
AUTHORIZED IN WRITING BY AN
OFFICER OF SULLINS ELECTRONICS.



TITLE CONNECTOR, .100 CC LP			
PART NUMBER --- C --- D(RX,RJ)_(S38, S73, S81, S328, S1098, S1860)			
SIZE C	CAGE CODE 54453	DWG. NO. C10881	REV J
SCALE: 2:1		SHEET 2 OF 4	

PART NUMBER	NO. OF POS.	A±.008[0.20]		B±.008[0.20]		C±.015[0.38]		D±.010[0.25]		E±.020[0.51]		F+.005/-0.015[+0.13/-0.38]	
		IN	MM	IN	MM	IN	MM	IN	MM	IN	MM	IN	MM
__C03D(RX,RJ)B	3	0.200	5.08	'B' MOUNTING ONLY									
__C04D(RX,RJ)_	4	0.300	7.62	0.500	12.70	0.675	17.15	0.975	24.77	1.275	32.39	0.330	8.38
__C05D(RX,RJ)_	5	0.400	10.16	0.600	15.24	0.775	19.69	1.075	27.31	1.375	34.93		
__C06D(RX,RJ)_	6	0.500	12.70	0.700	17.78	0.875	22.23	1.175	29.85	1.475	37.47		
__C07D(RX,RJ)_	7	0.600	15.24	0.800	20.32	0.975	24.77	1.275	32.39	1.575	40.01		
__C08D(RX,RJ)_	8	0.700	17.78	0.900	22.86	1.075	27.31	1.375	34.93	1.675	42.55		
__C10D(RX,RJ)_	10	0.900	22.86	1.100	27.94	1.275	32.39	1.575	40.01	1.875	47.63		
__C12D(RX,RJ)_	12	1.100	27.94	1.300	33.02	1.475	37.47	1.775	45.09	2.075	52.71		
__C13D(RX,RJ)_	13	1.200	30.48	1.400	35.56	1.575	40.01	1.875	47.63	2.175	55.25		
__C14D(RX,RJ)_	14	1.300	33.02	1.500	38.10	1.675	42.55	1.975	50.17	2.275	57.79		
__C15D(RX,RJ)_	15	1.400	35.56	1.600	40.64	1.775	45.09	2.075	52.71	2.375	60.33		
__C17D(RX,RJ)_	17	1.600	40.64	1.800	45.72	1.975	50.17	2.275	57.79	2.575	65.41		
__C18D(RX,RJ)_	18	1.700	43.18	1.900	48.26	2.075	52.71	2.375	60.33	2.675	67.95		
__C19D(RX,RJ)_	19	1.800	45.72	2.000	50.80	2.175	55.25	2.475	62.87	2.775	70.49		
__C20D(RX,RJ)_	20	1.900	48.26	2.100	53.34	2.275	57.79	2.575	65.41	2.875	73.03		
__C22D(RX,RJ)_	22	2.100	53.34	2.300	58.42	2.475	62.87	2.775	70.49	3.075	78.11		
__C23D(RX,RJ)_	23	2.200	55.88	2.400	60.96	2.575	65.41	2.875	73.03	3.175	80.65		
__C25D(RX,RJ)_	25	2.400	60.96	2.600	66.04	2.775	70.49	3.075	78.11	3.375	85.73		
__C26D(RX,RJ)_	26	2.500	63.50	2.700	68.58	2.875	73.03	3.175	80.65	3.475	88.27		
__C28D(RX,RJ)_	28	2.700	68.58	2.900	73.66	3.075	78.11	3.375	85.73	3.675	93.35		
__C30D(RX,RJ)_	30	2.900	73.66	3.100	78.74	3.275	83.19	3.575	90.81	3.875	98.43		
__C31D(RX,RJ)_	31	3.000	76.20	3.200	81.28	3.375	85.73	3.675	93.35	3.975	100.97		
__C32D(RX,RJ)_	32	3.100	78.74	3.300	83.82	3.475	88.27	3.775	95.89	4.075	103.51		
__C35D(RX,RJ)_	35	3.400	86.36	3.600	91.44	3.775	95.89	4.075	103.51	4.375	111.13		
__C36D(RX,RJ)_	36	3.500	88.90	3.700	93.98	3.875	98.43	4.175	106.05	4.475	113.67		
__C40D(RX,RJ)_	40	3.900	99.06	4.100	104.14	4.275	108.59	4.575	116.21	4.875	123.83		
__C43D(RX,RJ)_	43	4.200	106.68	4.400	111.76	4.575	116.21	4.875	123.83	5.175	131.45		
__C44D(RX,RJ)_	44	4.300	109.22	4.500	114.30	4.675	118.75	4.975	126.37	5.275	133.99		
__C49D(RX,RJ)_	49	4.800	121.92	5.000	127.00	5.175	131.45	5.475	139.07	5.775	146.69		
__C50D(RX,RJ)_	50	4.900	124.46	5.100	129.54	5.275	133.99	5.575	141.61	5.875	149.23		
__C52D(RX,RJ)_	52	5.100	129.54	5.300	134.62	5.475	139.07	5.775	146.69	6.075	154.31		
__C60D(RX,RJ)_	60	5.900	149.86	6.100	154.94	6.275	159.39	6.575	167.01	6.875	174.63		
__C65D(RX,RJ)_	65	6.400	162.56	6.600	167.64	6.775	172.09	7.075	179.71	7.375	187.33		
__C70D(RX,RJ)_	70	6.900	175.26	7.100	180.34	7.275	184.79	7.575	192.41	7.875	200.03		



PART NUMBER CODING

MATERIAL (INSULATOR/CONTACT)

- E = BLUE PBT/PHOSPHOR BRONZE**
OPERATING TEMP: -65°C TO +125°C
PROCESSING TEMP: WAVE/MANUAL SOLDERING ONLY
- R = GREEN PPS/PHOSPHOR BRONZE**
OPERATING TEMP: -65°C TO +125°C
PROCESSING TEMP: 260°C MAX FOR 20 SECONDS
- G = BLACK PA9T/PHOSPHOR BRONZE**
OPERATING TEMP: -65°C TO +125°C
PROCESSING TEMP: 260°C MAX FOR 20 SECONDS
- H = BLUE PBT/BERYLLIUM COPPER**
OPERATING TEMP: -65°C TO +125°C
PROCESSING TEMP: WAVE/MANUAL SOLDERING ONLY
- A = GREEN PPS/BERYLLIUM COPPER**
OPERATING TEMP: -65°C TO +150°C
PROCESSING TEMP: 260°C MAX FOR 20 SECONDS
- J = BLACK PA9T/BERYLLIUM COPPER**
OPERATING TEMP: -65°C TO +150°C
PROCESSING TEMP: 260°C MAX FOR 20 SECONDS
- F = GREEN PPS/SPINDAL (CONSULT FACTORY)**
OPERATING TEMP: -65°C TO +200°C
(CONSULT FACTORY FOR SPECIAL SOLDERING GUIDELINES)
AVAILABLE IN OVERALL GOLD ONLY (S OR M PLATING CODE)
- C = GREEN PPS/BERYLLIUM NICKEL (CONSULT FACTORY)**
OPERATING TEMP: -65°C TO +200°C
PROCESSING TEMP: 260°C MAX FOR 20 SECONDS
AVAILABLE IN OVERALL GOLD ONLY (S OR M PLATING CODE)
- X = TAN PEEK/SPINDAL (CONSULT FACTORY)**
OPERATING TEMP: -65°C TO +200°C
(CONSULT FACTORY FOR SPECIAL SOLDERING GUIDELINES)
AVAILABLE IN OVERALL GOLD ONLY (S OR M PLATING CODE)
- W = TAN PEEK/BERYLLIUM NICKEL (CONSULT FACTORY)**
OPERATING TEMP: -65°C TO +250°C
PROCESSING TEMP: 260°C MAX FOR 20 SECONDS
AVAILABLE IN OVERALL M PLATING ONLY

MODIFICATION CODE

- OMIT FOR STANDARD, EX: 'EBC22DRXH'
- S38 = BLACK PBT (MATERIAL CODES 'E' OR 'H' ONLY)
- S73 = INSERTION FORCE 8 OZ MAX
- S81 = GREEN PBT (MATERIAL CODES 'E' OR 'H' ONLY)
- S328 = BROWN PPS (MATERIAL CODES 'R', 'A', 'F', OR 'C' ONLY)
- S1098 = BLACK PPS (MATERIAL CODES 'R', 'A', 'F', OR 'C' ONLY)
- S1860 = GREEN PPS (MATERIAL CODES 'R', 'A', 'F', OR 'C' ONLY)
- OTHER S# FOR PARTS WITH MOLDED KEY (SEE KEY LOCATION TABLE ON PAGE 4)

MOUNTING STYLE

- H = .125" DIA. CLEARANCE HOLES
- N = NO MOUNTING EARS
- S = .125" DIA. SIDE MOUNTING
- I = #4-40 THREADED INSERT
- F = FLOATING BOBBIN
- B = OPEN CARDSLOT

TERMINATION

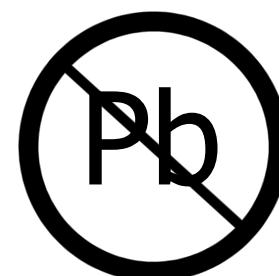
- RX = .200[5.08] ROW SPACING X .185[4.70] DIP SOLDER TAIL LENGTH
- RJ = .250[6.35] ROW SPACING X .165[4.19] DIP SOLDER TAIL LENGTH
(SEE SECTION A-A ON PAGE 1)

NUMBER OF POSITIONS
(CONTACTS PER ROW)

PLATING

- ALL PLATINGS HAVE .000050" NICKEL UNDERPLATE
- CONTACT SURFACE**
- B = .000010" GOLD
- C = .000030" GOLD
- G = .000010" GOLD
- Y = .000030" GOLD
- S = .000010" GOLD
- M = .000030" GOLD
- *E = .000100" PURE TIN, MATTE
- TERMINATION**
- .000100" PURE TIN, MATTE
- .000100" PURE TIN, MATTE
- .000005" GOLD
- .000005" GOLD
- .000010" GOLD OVERALL
- .000010" GOLD OVERALL
- .000100" PURE TIN, MATTE OVERALL
- .000100" PURE TIN, MATTE OVERALL

*OVERALL TIN ONLY AVAILABLE ON MATERIAL CODES E, R, & G



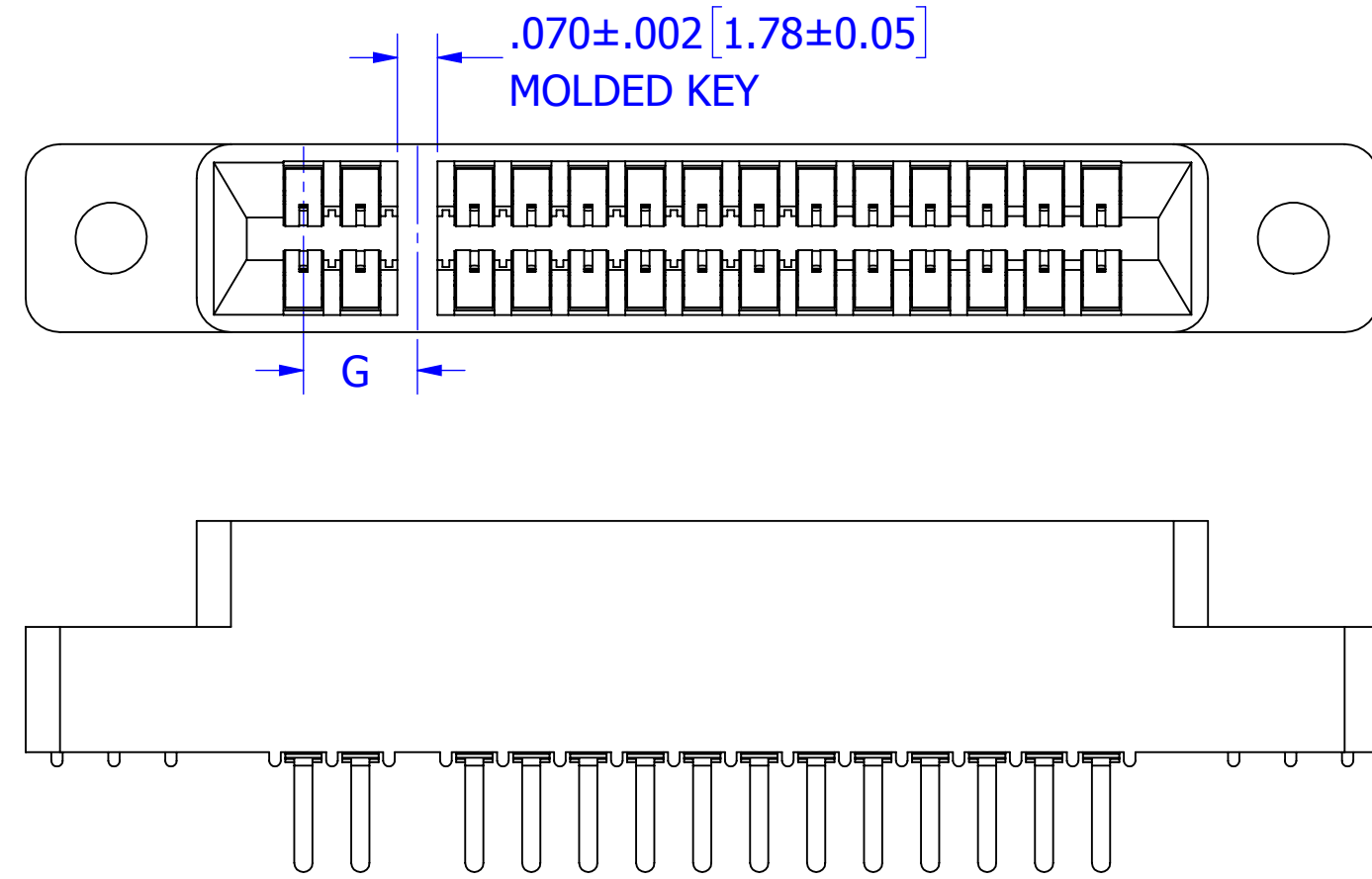
RoHS COMPLIANT

CUSTOMER COPY

UNLESS OTHERWISE SPECIFIED: DIMENSIONS ARE IN INCHES (MM)		DRAWN	DATE	NAME	
			6/14/2012	JH	
TOLERANCES:					THE INFORMATION HEREIN CONTAINS PROPRIETARY INFORMATION OF SULLINS ELECTRONICS AND IS NOT TO BE REPRODUCED, USED OR DISCLOSED TO OTHERS FOR ANY PURPOSE EXCEPT AS SPECIFICALLY AUTHORIZED IN WRITING BY AN OFFICER OF SULLINS ELECTRONICS.
ANGULAR: ± 1°					
DECIMALS .XX = ± .02 [.5] .XXX = ± .005 [.13] .XXXX = ± .0005 [.013]					
TITLE					CONNECTOR, .100 CC LP
PART NUMBER					__C__D(RX,RJ)_-(S38, S73, S81, S328, S1098, S1860)
SIZE	CAGE CODE	DWG. NO.	REV		
C	54453	C10881	J		
SCALE: 3:1					SHEET 3 OF 4

STANDARD KEY LOCATION TABLE***

MOLDED KEY IN POSITION	G±.008[0.20]		MODIFICATION NUMBER (S#)	
	INCH	MM	DEFAULT	BROWN PPS
			MATERIAL & COLOR	(MTL CODE 'R, A, F, OR C' ONLY)
01	N/A	N/A	S2146	
02	0.100	2.54	S2001	
03	0.200	5.08	S1732	
04	0.300	7.62	S1769	
05	0.400	10.16	S2067	S1871
06	0.500	12.70	S1442	
07	0.600	15.24	S1632	
08	0.700	17.78	S1180	S1151
09	0.800	20.32	S1172	
10	0.900	22.86	S1599	
11	1.000	25.40		
12	1.100	27.94	S1810	S1500
13	1.200	30.48	S1114	
14	1.300	33.02		S1013
15	1.400	35.56	S1036	
16	1.500	38.10	S2174	
17	1.600	40.64	S1812	
18	1.700	43.18		
19	1.800	45.72		
20	1.900	48.26	S1293	
21	2.000	50.80	S1221	
22	2.100	53.34	S1808	
23	2.200	55.88		
24	2.300	58.42	S1788	
25	2.400	60.96	S2068	
26	2.500	63.50		
27	2.600	66.04		
28	2.700	68.58	S1242	
29	2.800	71.12		
30	2.900	73.66		
31	3.000	76.20		
32	3.100	78.74		
33	3.200	81.28		
34	3.300	83.82		
35	3.400	86.36		
36	3.500	88.90		
37	3.600	91.44		
38	3.700	93.98	S1306	
39	3.800	96.52		
40	3.900	99.06		
41	4.000	101.60	S1546	
42	4.100	104.14	S1405	
43	4.200	106.68		
44	4.300	109.22		
45	4.400	111.76		
46	4.500	114.30		S1809
47	4.600	116.84		
48	4.700	119.38		
49	4.800	121.92		
50	4.900	124.46	S1561	
51	5.000	127.00	S1376	
52	5.100	129.54	S2247	
53	5.200	132.08		
54	5.300	134.62		
55	5.400	137.16		
56	5.500	139.70		
57	5.600	142.24		
58	5.700	144.78	S346	
59	5.800	147.32		
60	5.900	149.86		
61	6.000	152.40		
62	6.100	154.94		
63	6.200	157.48		
64	6.300	160.02		
65	6.400	162.56		
66	6.500	165.10		
67	6.600	167.64		
68	6.700	170.18		
69	6.800	172.72		
70	6.900	175.26		
LAST POSITION			S1192	



('H' MOUNTING AS SHOWN FOR EXAMPLE)

***CONNECTOR TOTAL POSITIONS MUST BE AT LEAST ONE POSITION LONGER THAN KEY LOCATION

CUSTOMER COPY



UNLESS OTHERWISE SPECIFIED: DIMENSIONS ARE IN INCHES [MM]	DRAWN	DATE	NAME	
		6/14/2012	JH	
TOLERANCES: ANGULAR: ± 1° DECIMALS .XX= ± .02 [.5] .XXX= ± .005 [.13] .XXXX= ± .0005 [.013]	<small>THE INFORMATION HEREIN CONTAINS PROPRIETARY INFORMATION OF SULLINS ELECTRONICS AND IS NOT TO BE REPRODUCED, USED OR DISCLOSED TO OTHERS FOR ANY PURPOSE EXCEPT AS SPECIFICALLY AUTHORIZED IN WRITING BY AN OFFICER OF SULLINS ELECTRONICS.</small>			TITLE
	CONNECTOR, .100 CC LP, KEY IN POSITION			PART NUMBER
	SIZE	CAGE CODE	DWG. NO.	REV
	C	54453	C10881	J
	SCALE: 2:1	SHEET 4 OF 4		