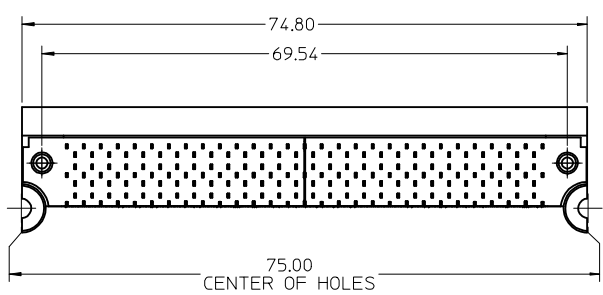


SECTION Y-Y
TERMINAL TAIL
CROSS SECTION



- NOTES
- MATERIAL
CONNECTOR HOUSING: GLASS FILLED LCP, 94 V-0, COLOR BLACK
OVERMOLDING ON TERMINAL: GLASS FILLED LCP, COLOR: BLACK
TERMINALS: COPPER ALLOY, SPRING TEMPER
 - TERMINAL FINISH: CONTACT AREA: 0.754m MIN. HARD GOLD
OVER 1.254m MIN. NICKEL.
75791-0001 COMPLIANT AREA: 0.75-1.504m TIN
OVER 0.75-1.504m NICKEL
75791-0002 COMPLIANT AREA: 0.75-1.504m 90/10
TIN LEAD OVER 0.75-1.504m NICKEL
 - REFER TO PS-75800-001 PRODUCT SPEC FOR ALL ELECTRICAL, MECHANICAL
AND ENVIROMENTAL SPECIFICATIONS.
 - REFER TO PK-75791-001 FOR ALL PACKAGING SPECIFICATIONS.
 - REFER TO AS-75800-001 FOR BOARD APPLICATION INFORMATION.
 - DATE CODE AND PART NUMBER TO BE LASER ETCHED OR APPLIED BY A LABEL.
INFO TO INCLUDE PART NUMBER, MANUFACTURING FACILITY AND DATE CODE
IN THE FORMAT OF WEEK AND LAST TWO DIGITS OF THE YEAR, WWYY.

PART NUMBER	COMPLIANT TAIL PLATING
75791-0001	TIN
75791-0002	90/10 TIN LEAD

SOLID MODEL NUMBER
EM-75791-001

ADDED LABEL OPTION
EC NO: UCP2009-1176
DRAWN/HAVERY 2008/11/07
CHKD: 2008/11/11
APPR: MBANAKIS 2008/11/12

QUALITY SYMBOLS
▽=0
▽=0

GENERAL TOLERANCES (UNLESS SPECIFIED)

	mm	INCH
4 PLACES ±	---	±---
3 PLACES ±	---	±.005
2 PLACES ±	0.13	±.010
1 PLACE ±	0.25	±---

ANGULAR ±1/2°

DRAFT WHERE APPLICABLE
MUST REMAIN
WITHIN DIMENSIONS

DIMENSION STYLE
MM ONLY

DRAWN BY: DATE

CHECKED BY: DATE

APPROVED BY: DATE

MATERIAL NO.
SEE CHART

SIZE C

SCALE
2:1

DESIGN UNITS
METRIC

THIRD ANGLE PROJECTION

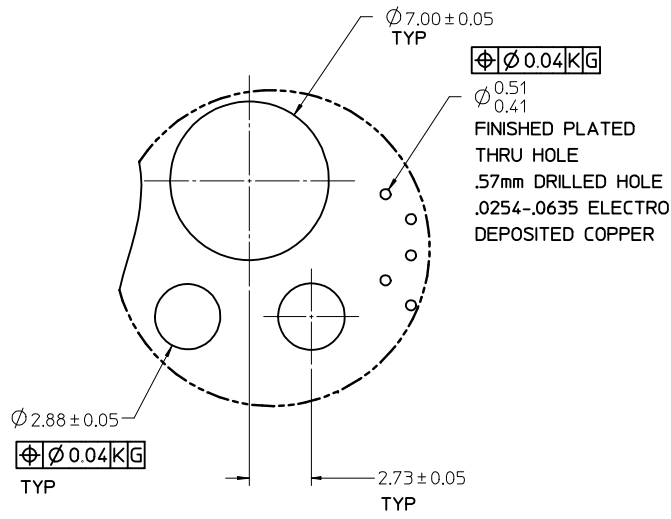
ADVANCED MC B+ TALL
STYLE CONNECTOR SALES
DRAWING

molex MOLEX INCORPORATED

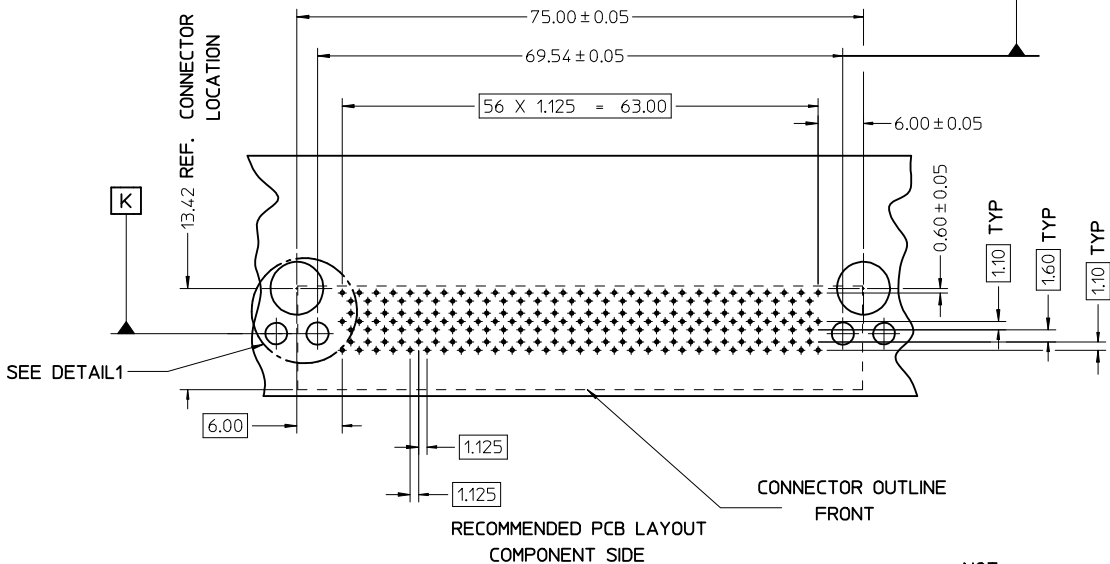
DOCUMENT NO. SD-75791-001

SHEET NO.
1 OF 2

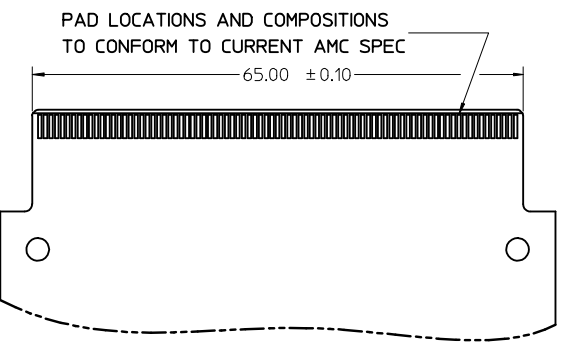
THIS DRAWING CONTAINS INFORMATION THAT IS PROPRIETARY TO MOLEX
INCORPORATED AND SHOULD NOT BE USED WITHOUT WRITTEN PERMISSION



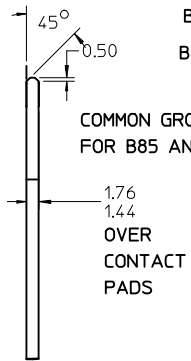
DETAIL1
SCALE 6:1



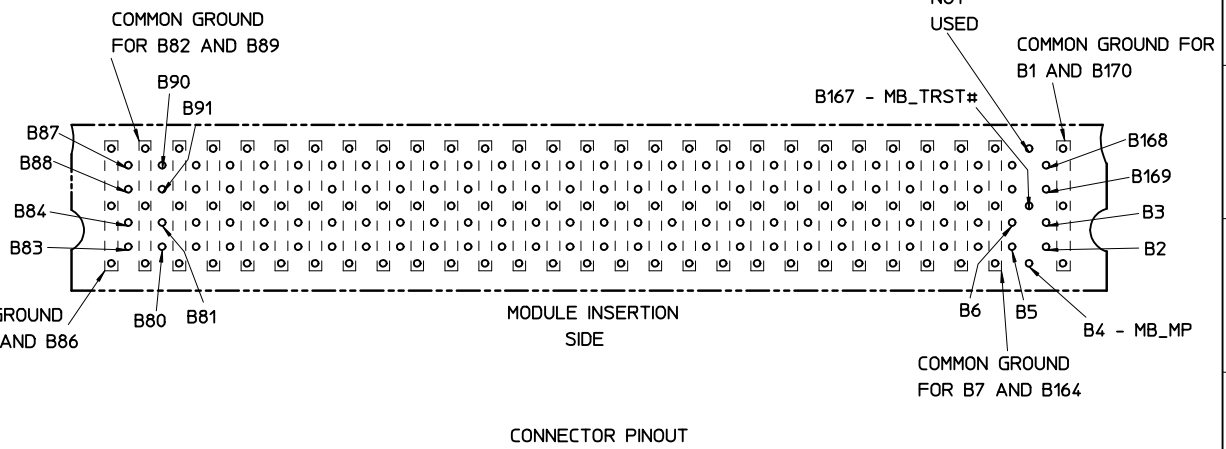
RECOMMENDED PCB LAYOUT
COMPONENT SIDE



PARTIAL1
SCALE 2:1



PARTIAL2
SCALE 2:1



CONNECTOR PINOUT

SEE SHEET 1 EC NO: UCP2009-1176 DRW: HAVERY CHKD: 2008/11/11 APPR: MBANAKIS 2008/11/12	QUALITY SYMBOLS ▽=0 ▽=0	GENERAL TOLERANCES (UNLESS SPECIFIED) <table border="1"> <tr> <th></th> <th>mm</th> <th>INCH</th> </tr> <tr> <td>4 PLACES</td> <td>± .005</td> <td>± .0005</td> </tr> <tr> <td>3 PLACES</td> <td>± .010</td> <td>± .0010</td> </tr> <tr> <td>2 PLACES</td> <td>± .013</td> <td>± .0010</td> </tr> <tr> <td>1 PLACE</td> <td>± 0.25</td> <td>± .010</td> </tr> </table>		mm	INCH	4 PLACES	± .005	± .0005	3 PLACES	± .010	± .0010	2 PLACES	± .013	± .0010	1 PLACE	± 0.25	± .010	DIMENSION STYLE MM ONLY DRAWN BY: _____ DATE: _____ CHECKED BY: _____ DATE: _____ APPROVED BY: _____ DATE: _____	SCALE 2:1 DESIGN UNITS METRIC THIRD ANGLE PROJECTION	TITLE ADVANCED MC B+ TALL STYLE CONNECTOR SALES DRAWING
		mm	INCH																	
	4 PLACES	± .005	± .0005																	
	3 PLACES	± .010	± .0010																	
2 PLACES	± .013	± .0010																		
1 PLACE	± 0.25	± .010																		
MATERIAL NO. SEE CHART PG1	DOCUMENT NO. SD-75791-001	SHEET NO. 2 OF 2	MOLEX INCORPORATED																	
DRAFT WHERE APPLICABLE MUST REMAIN WITHIN DIMENSIONS																				
THIS DRAWING CONTAINS INFORMATION THAT IS PROPRIETARY TO MOLEX INCORPORATED AND SHOULD NOT BE USED WITHOUT WRITTEN PERMISSION																				