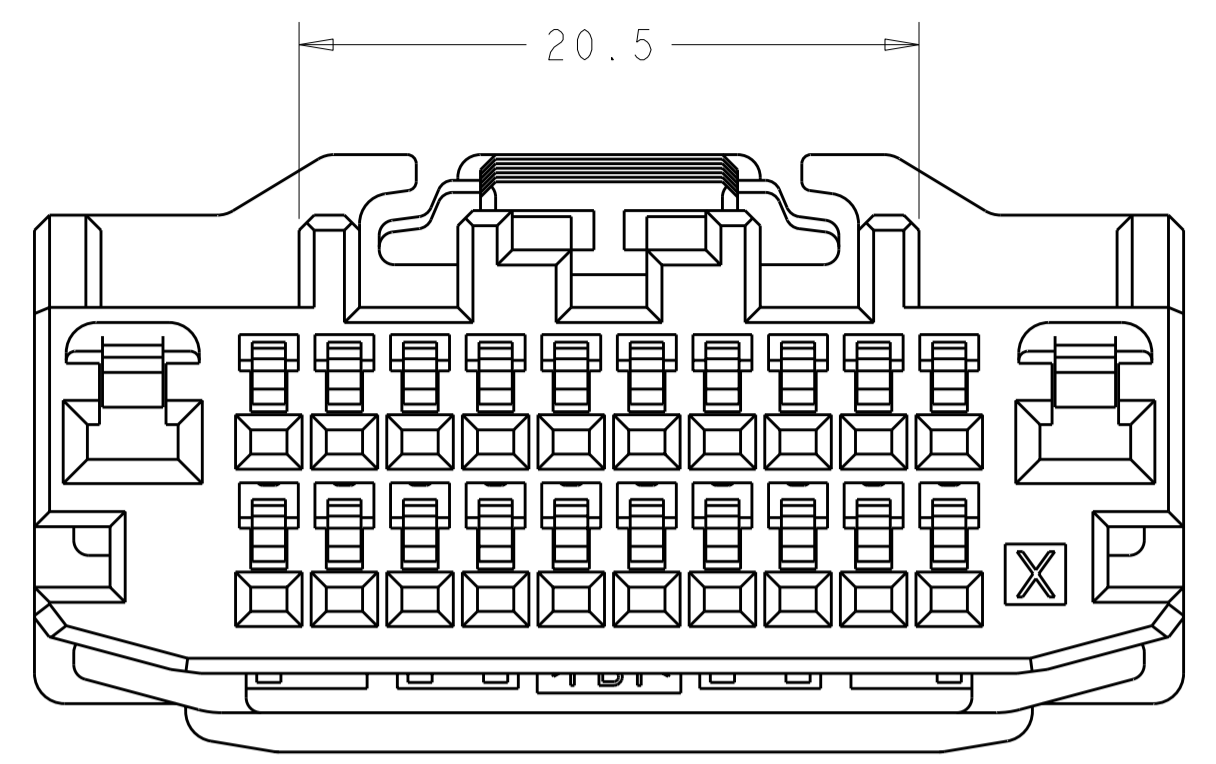
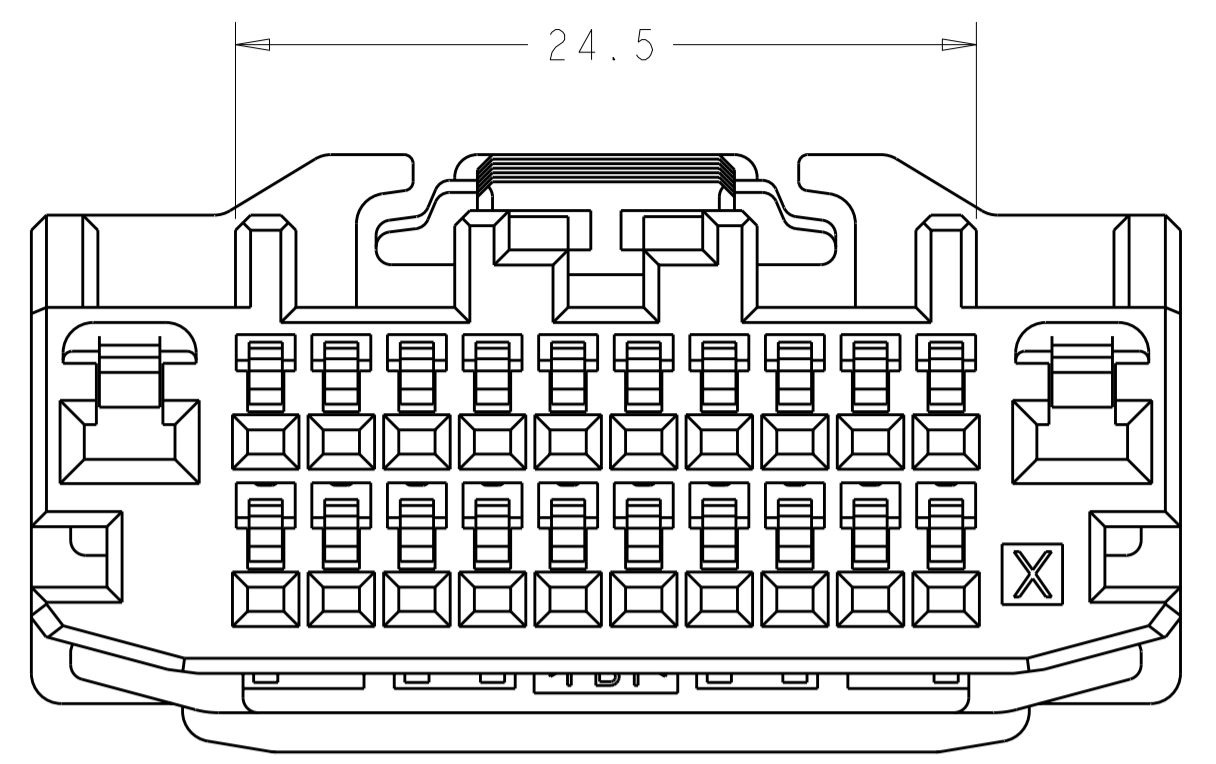


THIS DRAWING IS UNPUBLISHED. RELEASED FOR PUBLICATION 20  
 © COPYRIGHT 20 BY TYCO ELECTRONICS CORPORATION. ALL RIGHTS RESERVED.

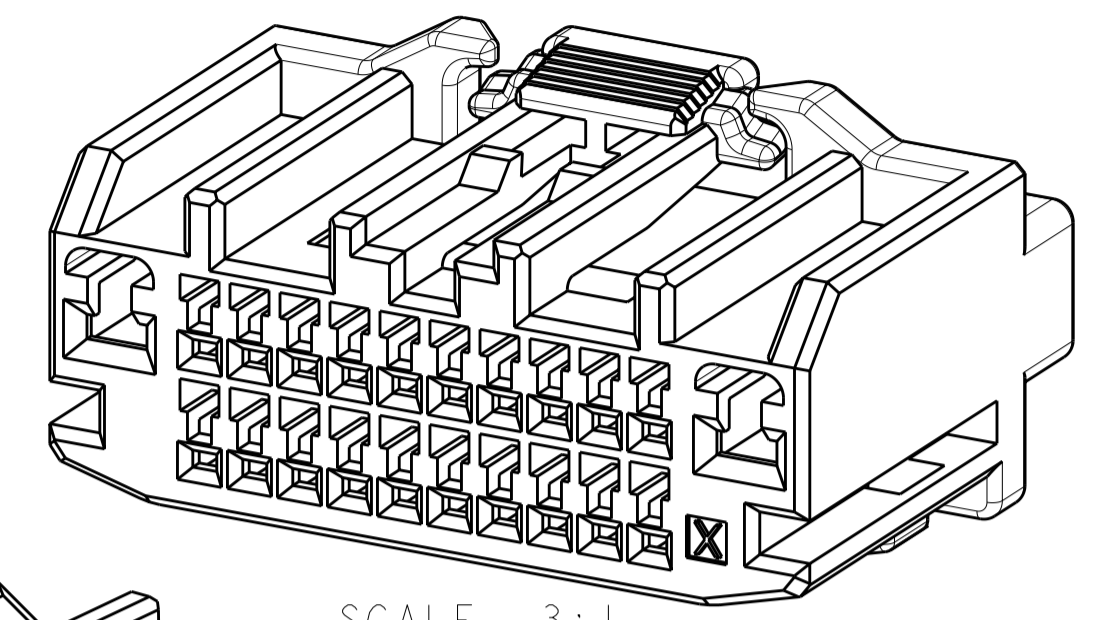
LOC	DIST	REVISIONS				
P	LTR	DESCRIPTION	DATE	DWN	APVD	
D		REV PER ECR-06-007120	31MAR2006	MBH	AV	
DI		REV PER ECR-10-012887	18JUN2010	VSS	MB	



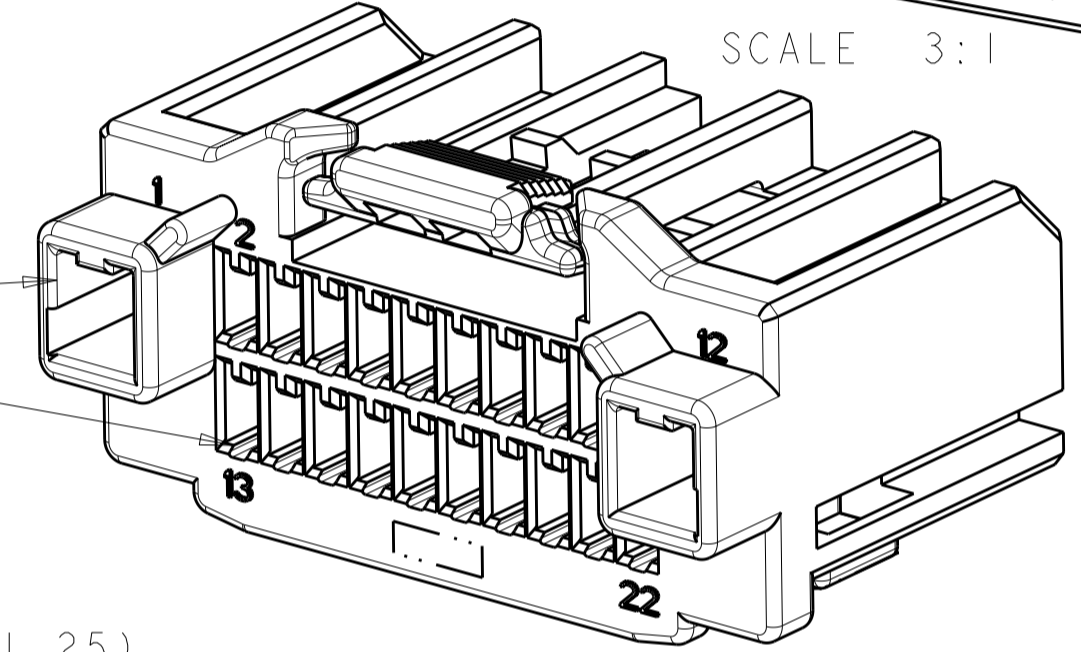
1438761-6  
KEY "A"  
GRAY



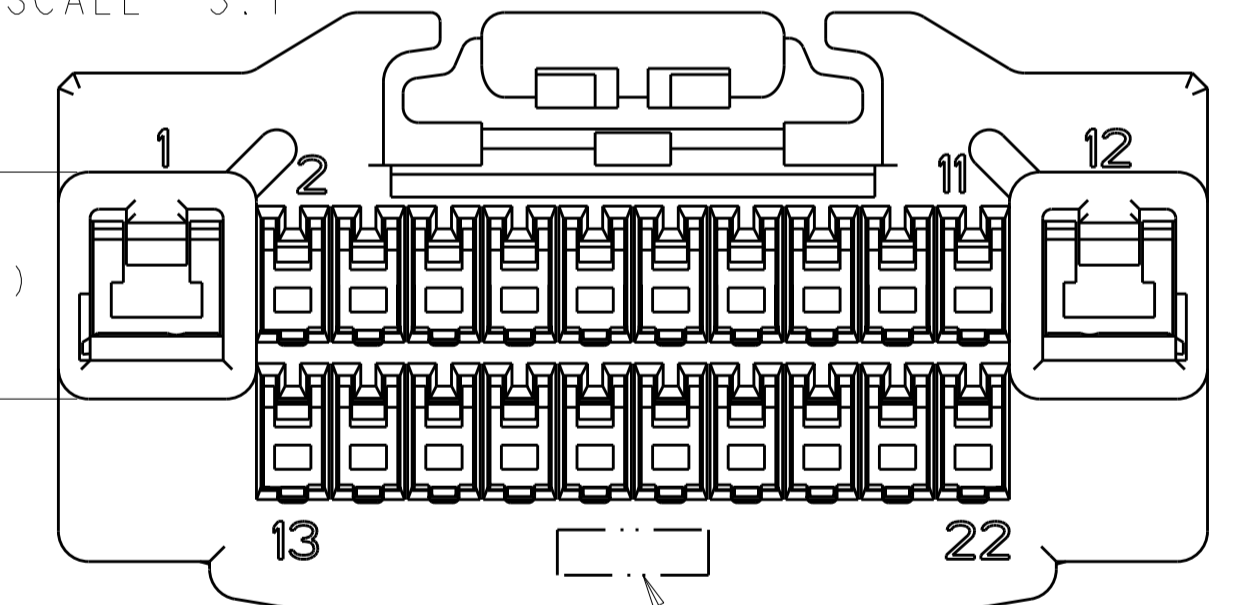
1438759-1  
KEY "B"  
WHITE



SCALE 3:1

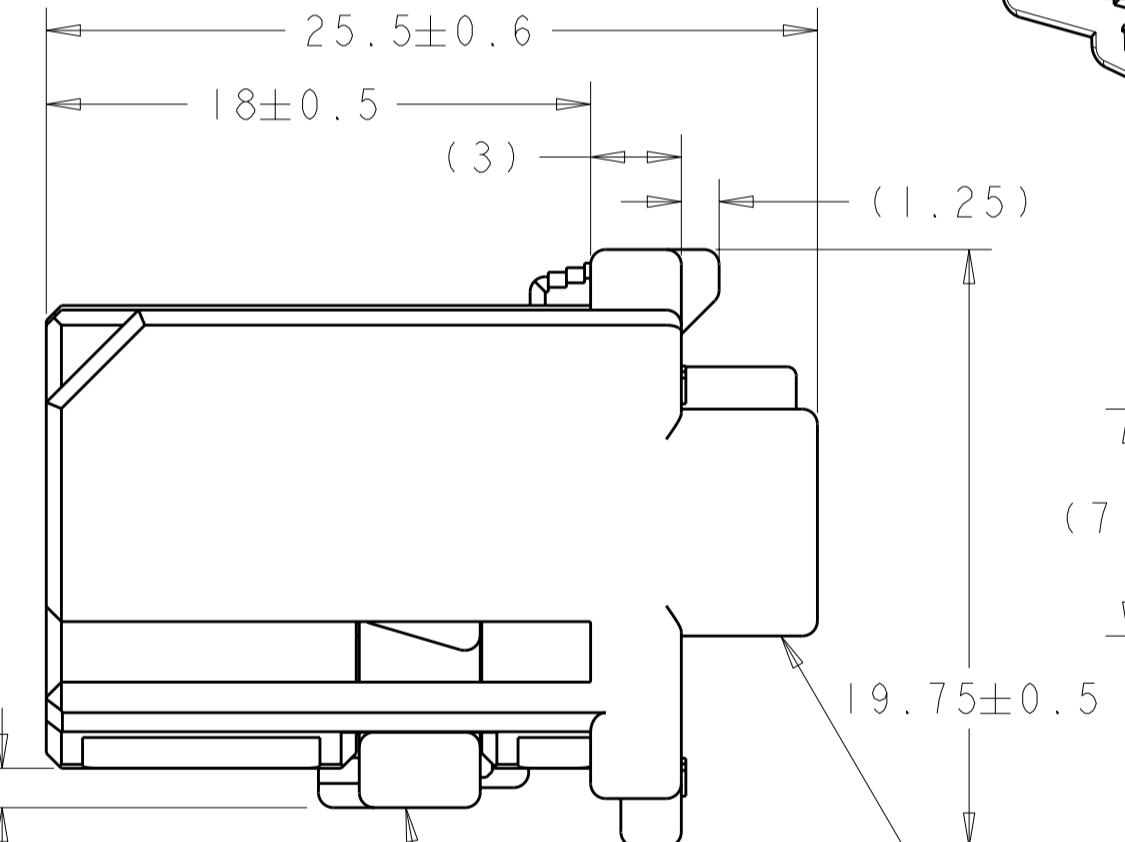
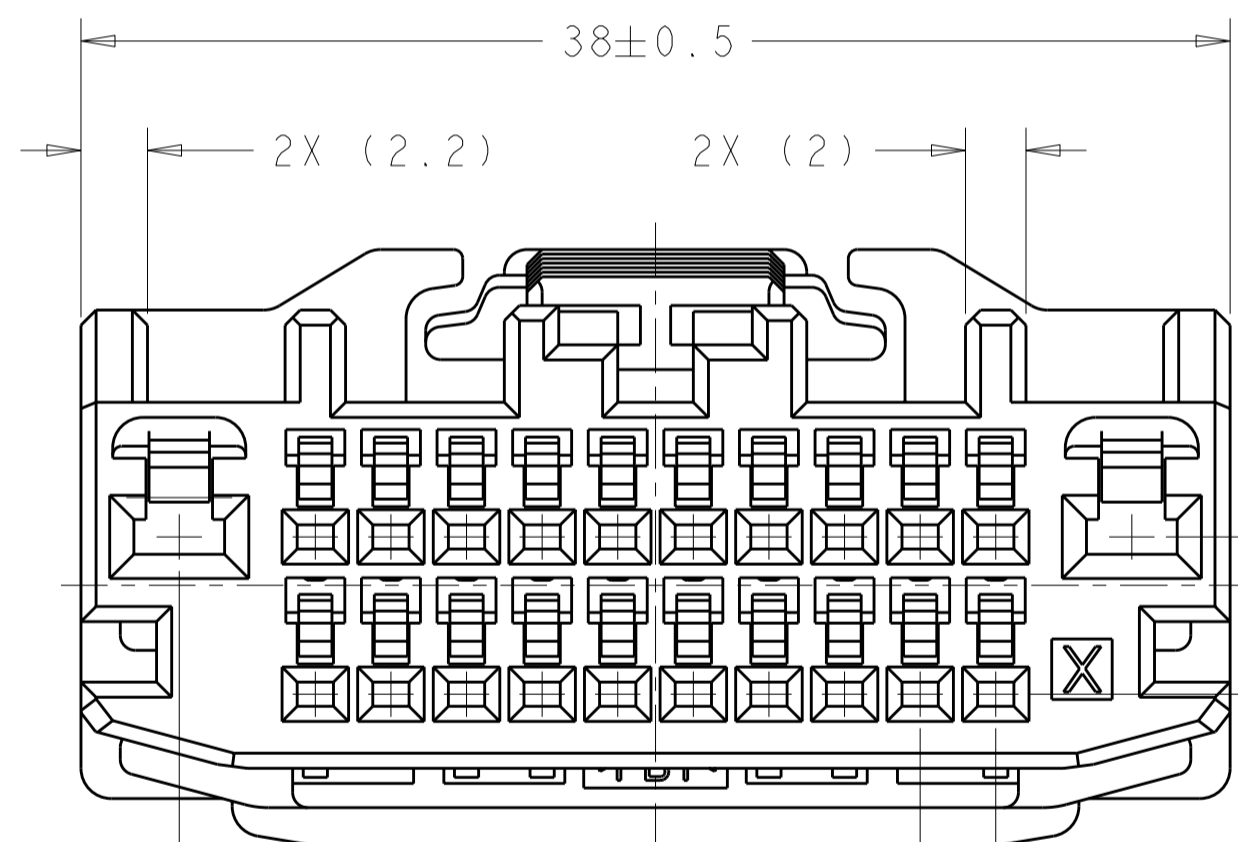


SCALE 3:1



COMPANY LOGO

2.8 CONTACT CIRCUIT 1  
040 CONTACT CIRCUIT 13



PLUG HOUSING

LOCK PLATE

LOCK PLATE TRAVEL

NOTES:

- APPLIED CONTACT PART NUMBERS:  
175265 TIN PLATING, 040 CONTACT  
175266 SELECT GOLD PLATING, 040 CONTACT  
1326030 TIN PLATING, 2.8 CONTACT
- LOCK PLATE SHOWN IN THE SHIPPING POSITION.
- VISUAL BLEMISHES MAY BE PRESENT ON EXTERNAL SURFACES DUE TO BULK PACKAGING METHODS. THESE BLEMISHES THAT DO NOT AFFECT CONNECTOR FORM, FIT, OR FUNCTION ARE CONSIDERED ACCEPTABLE.
- LOCK PLATE COMPONENT FORCES:  
INSERTION FORCE (SEATING): 75N MAX.  
REMOVAL FROM PLUG HOUSING: 15N MIN.

-KEY "B" SHOWN-

<small>THIS DRAWING IS A CONTROLLED DOCUMENT FOR TYCO ELECTRONICS CORPORATION IT IS SUBJECT TO CHANGE AND THE CONTROLLING ENGINEERING ORGANIZATION SHOULD BE CONTACTED FOR THE LATEST REVISION.</small>		DWN M. HITCHCOCK 16SEP2004 CHK G. MARTIN 16SEP2004 APVD T. MEHAFFEY 16SEP2004	<b>Tyco Electronics</b> Tyco Electronics Harrisburg, PA 17105-3608
DIMENSIONS: mm 	TOLERANCES UNLESS OTHERWISE SPECIFIED: 0 PLC ±0.0 1 PLC ±0.3 2 PLC ±0.1 3 PLC ±0.0000 4 PLC ±0.0000 ANGLES ±1 FINISH	PRODUCT SPEC 108-2217 APPLICATION SPEC 114-13158 WEIGHT - CUSTOMER DRAWING	NAME 22-WAY HYBRID PLUG ASSEMBLY SIZE A2 CAGE CODE 00779 DRAWING NO. 1438759 RESTRICTED TO - SCALE 4:1 SHEET 1 OF 1 REV DI