

**PLEASE CHECK WWW.MOLEX.COM FOR LATEST PART INFORMATION**

**Part Number:** [1718250100](#)  
**Status:** **Active**  
**Overview:** Super Sabre™ Connector System  
**Description:** Super Sabre™ Female Crimp Terminal

**Documents:**

<a href="#">Drawing (PDF)</a>	<a href="#">Product Specification TS-171825-001-001 (PDF)</a>
<a href="#">Product Specification PS-171825-001-001 (PDF)</a>	<a href="#">RoHS Certificate of Compliance (PDF)</a>

**General**

Product Family	Crimp Terminals
Series	<a href="#">171825</a>
Application	Power, Signal
Crimp Quality Equipment	Yes
Overview	<a href="#">Super Sabre™ Connector System</a>
Product Name	Super Sabre™
UPC	887191539317

**Physical**

Gender	Female
Material - Metal	Copper
Material - Plating Mating	Silver
Material - Plating Termination	Matte Tin, Nickel
Net Weight	0.497/g
Packaging Type	Reel
Wire Insulation Diameter	n/a
Wire Size AWG	10, 12
Wire Size mm <sup>2</sup>	N/A

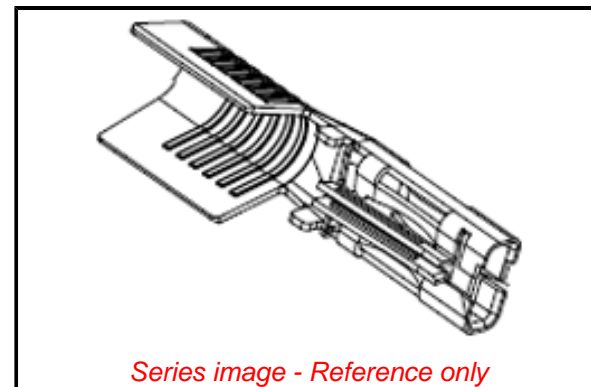
**Solder Process Data**

Lead-freeProcess Capability	N/A
-----------------------------	-----

**Material Info**

**Reference - Drawing Numbers**

Product Specification	PS-171825-001-001, TS-171825-001-001
Sales Drawing	SD-171825-001



*Series image - Reference only*

**EU ELV**

**Not Relevant**

**EU RoHS**

**Compliant**

**REACH SVHC**

Not Contained Per  
-ED/01/2017 (12  
January 2017)

**Halogen-Free**

**Status**

**Low-Halogen**

**Need more information on product environmental compliance?**

Email [productcompliance@molex.com](mailto:productcompliance@molex.com)  
Please visit the [Contact Us](#) section for any non-product compliance questions.

China ROHS

ELV

RoHS Phthalates

Green Image

Not Relevant

Not Contained

**Search Parts in this Series**

[171825](#) Series

**Mates With**

[171826-0100](#)

**Use With**

[44441](#) 7.50mm Pitch Sabre™ Receptacle Crimp Housing