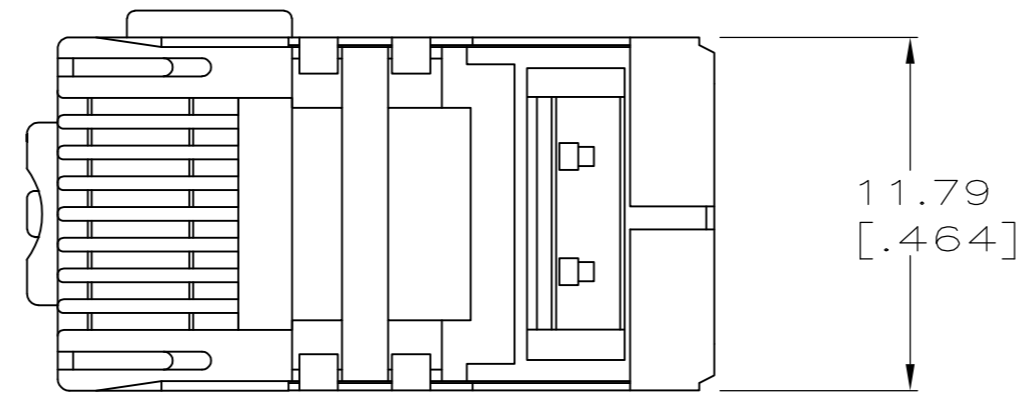
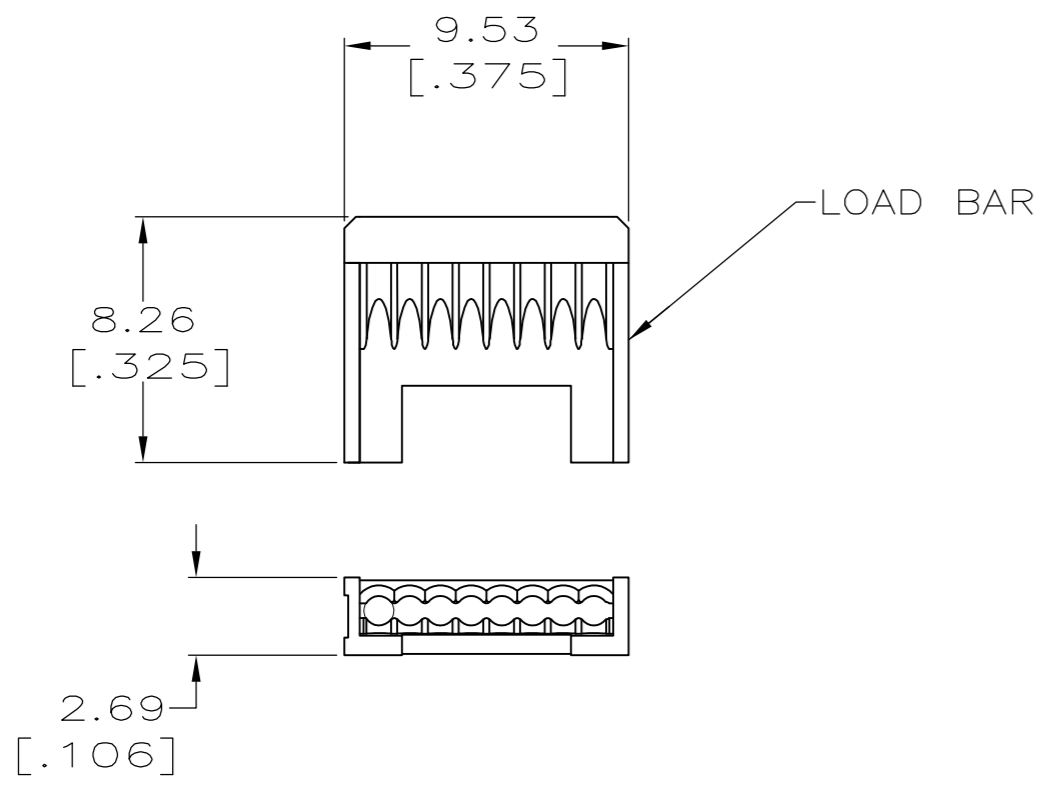
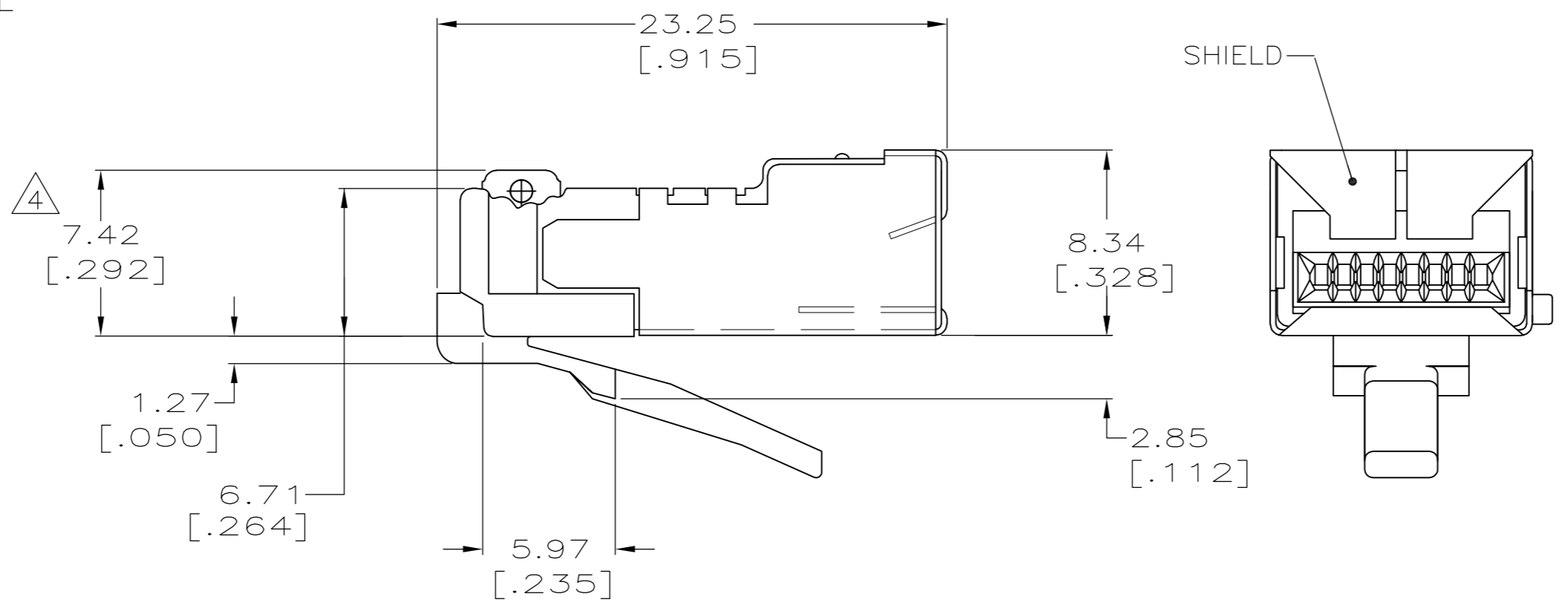
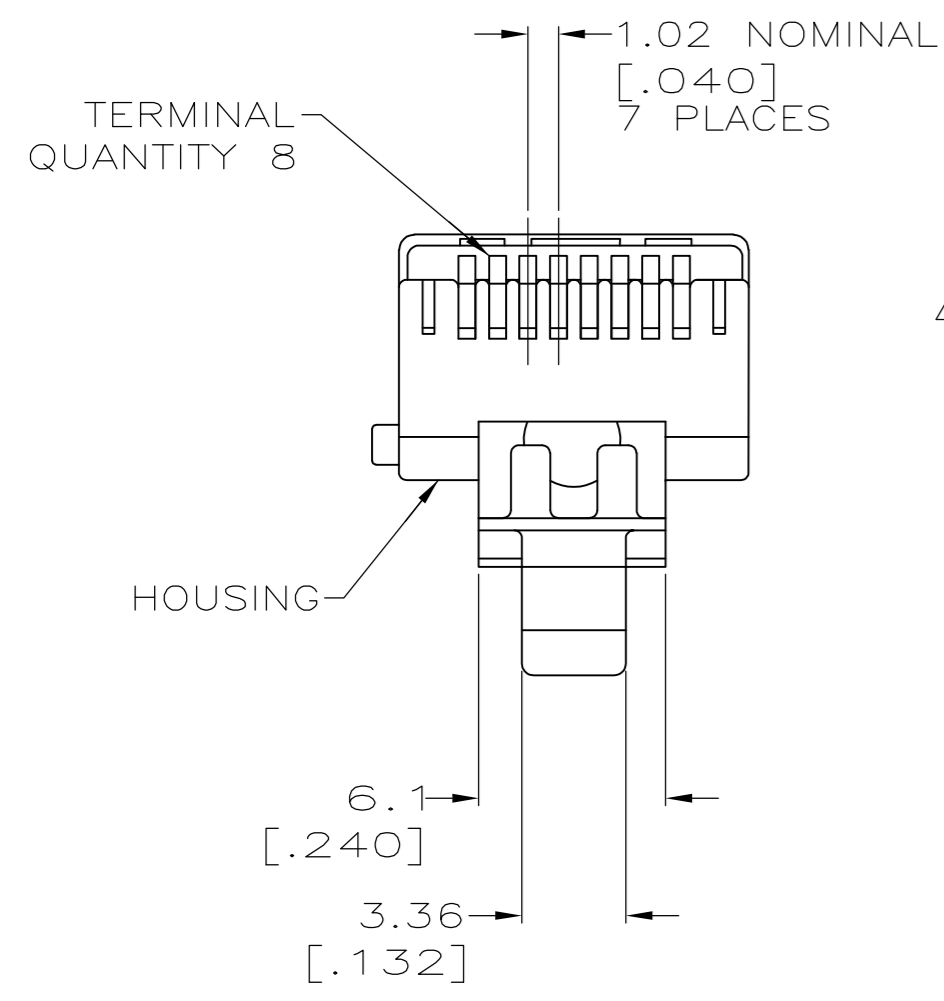


THIS DRAWING IS UNPUBLISHED. RELEASED FOR PUBLICATION  
 © COPYRIGHT BY TYCO ELECTRONICS CORPORATION. ALL RIGHTS RESERVED.

LOC	DIST	REVISIONS					
HM	00	P	LTR	DESCRIPTION	DATE	DWN	APVD
		C		ECO-12-017274	09OCT2012	JM	JG



- △ DIMENSIONS ARE MAXIMUM UNLESS OTHERWISE SPECIFIED.
- △ MATERIAL: HOUSING – POLYCARBONATE, CLEAR. TERMINAL – PHOSPHOR BRONZ, PLATED WITH 1.27 $\mu$ m [.000050] MINIMUM THICK GOLD IN LOCALIZED GOLD PLATE AREA, OVER 2.54 $\mu$ m [.000100] MINIMUM THICK NICKEL UNDERPLATE. SHIELD – COPPER ALLOY PLATED WITH 1.27 $\mu$ m [.000050] MINIMUM SEMI-BRIGHT (SATIN) NICKEL. LOAD BAR – PBT POLYESTER, BLACK.
- 3. PLUG WILL ACCEPT A 24 OR 26 AWG STRANDED CONDUCTOR, PROVIDED THE INSULATED CONDUCTOR DIAMETER IS 0.89 [.035] TO 0.99 [.039] WITH A FOIL SHIELDED, PLIABLE, LOOSE CABLE JACKET OF 4.83 [.190] TO 5.33 [.210] DIAMETER OR A FOIL SHIELDED, RIGID, HARD CABLE JACKET OF 4.83 [.190] TO 5.08 [.200] DIAMETER.
- △ TERMINATED DIMENSION 6.15 [.242] MAXIMUM.
- △ PACKAGED 500 ASSEMBLIES AND 500 LOAD BARS PER CARTON.



△	5-406999-2
PACKAGED	PART NUMBER

THIS DRAWING IS A CONTROLLED DOCUMENT.		DWN	L. HALL	15MAR2005	Tyco Electronics Corporation Harrisburg, Pa 17105-3608
DIMENSIONS: mm [INCHES]		CHK	C. DOOLEY	15MAR2005	
TOLERANCES UNLESS OTHERWISE SPECIFIED:		APVD	C. DOOLEY	15MAR2005	
0 PLC ± - 1 PLC ± - 2 PLC ± - 3 PLC ± - 4 PLC ± - ANGLES ± - FINISH ± -		NAME	C. DOOLEY		
		PRODUCT SPEC	108-1163-2		MODULAR PLUG ASSEMBLY, 8 POSITION, SHIELDED, ROUND CABLE, STRANDED WIRE, HIGH PERFORMANCE, KEYED
MATERIAL		APPLICATION SPEC	114-6053		RESTRICTED TO
△		WEIGHT	-		SIZE
△		CUSTOMER DRAWING	SCALE	4:1	CAGE CODE
			SHEET	1 OF 1	DRAWING NO
			REV	C	00779
					C=406999