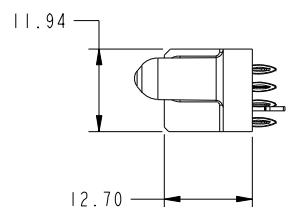
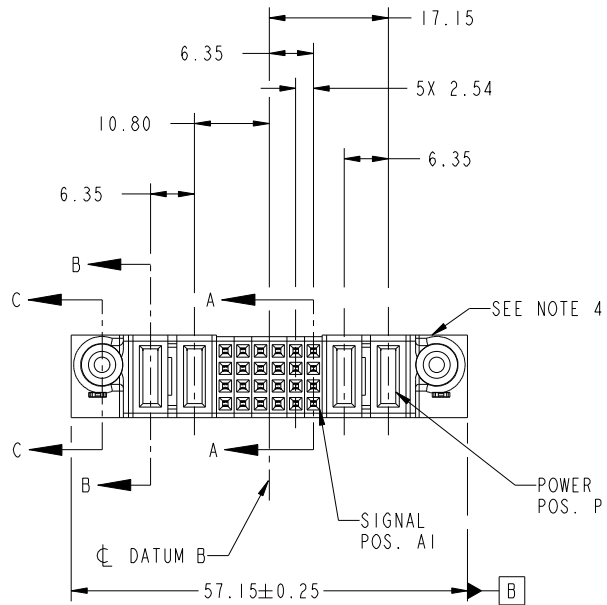


Tous droits strictement reserves. Reproduction ou communication a des tiers interdite sous quelque forme que ce soit sans autorisation écrite du propriétaire. Propriete de c FCI. Droits de reproduction FCI.



All rights strictly reserved. Reproduction or issue to third parties in any form whatever is not permitted without written authority from the proprietor. Property of FCI. Copyright FCI.

PRODUCT NO.	ROWS	POWER		SIGNAL							POWER				
		E2	P4	P3	6	5	4	3	2	1	P2	P1	E1		
51750-099-- NOTE : 3	D C B A		PC	PC	F	F	F	F	F	F	F	F	PF	PF	



CODE	DIM "M" MATING LENGTH	CONTACT TYPE
F	[N/A]	SIGNAL
PC	[1.07]	POWER
PF	[2.34]	POWER
HA	[N/A]	HOLD-DOWN

mat'l code				SEE NOTE 2		tolerances unless otherwise specified		CUSTOMER	
ltr	ecn no.	dr	date	linear	0.X ±0.50	projection	FCI		
A	DG10-0083	AL	02/26/10	angles	0.XX ±0.25	MM	www.fciconnect.com		
				dr	0.XXX ±0.10	scale	title 2P + 24S + 2P		
				enr	0° ±2°	1:1	VERTICAL PRESS FIT RECEPTACLE		
				chr	Anson Liu 02/26/10		product family PwrBlade code 213		
				appd	Jerome Chen 02/26/10		size dwg no 51750-099 sheet 1 of 4		
					PM Zheng 02/26/10				
					JOSEPH HSIA 02/26/10				

sheet index	revision sheet	A	A	A	A
		1	2	3	4

CONFIDENTIAL

cage code 22526

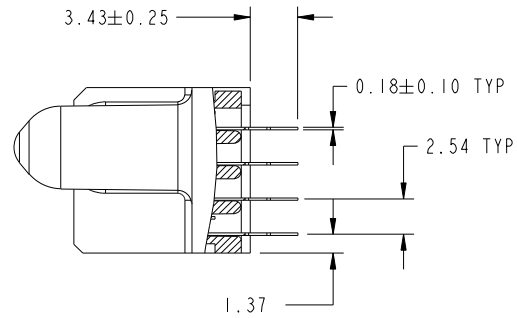
Pro/E

Tous droits strictement reserves. Reproduction ou communication a des tiers interdite sous quelque forme que ce soit sans autorisation écrite du propriétaire. Propriete de c FCI. Droits de reproduction FCI.

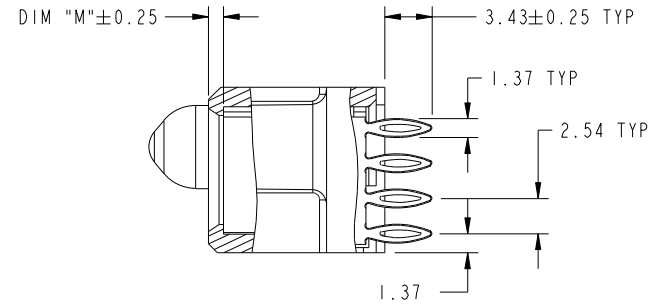


All rights strictly reserved. Reproduction or issue to third parties in any form whatever is not permitted without written authority from the proprietor. Property of FCI. Copyright FCI.

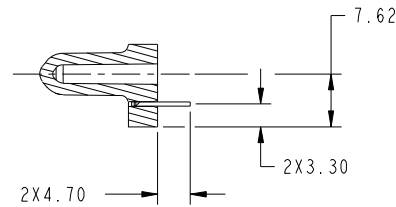
PRODUCT NUMBER
51750-099__
NOTE : 3



SECTION A-A
SCALE 2:1



SECTION B-B
SCALE 2:1



SECTION C-C

CONFIDENTIAL

mat'l code				SEE NOTE 2	tolerances unless otherwise specified		CUSTOMER		www.fciconnect.com	
ltr	ecn no.	dr	date	linear	0.X ±0.50	COPY		projection		title
A					0.XX ±0.25					2P + 24S + 2P VERTICAL PRESS FIT RECEPTACLE
				angles	0.XXX ±0.10	scale		product family		code
				dr	0° +2°	1:1		PwrBlade		213
				enr	Anson Liu 02/26/10			size		sheet
				chr	Jerome Chen 02/26/10			A		2
				appd	PM Zheng 02/26/10			51750-099		
					JOSEPH HSIA 02/26/10					
sheet index	revision sheet									

cage code 22526

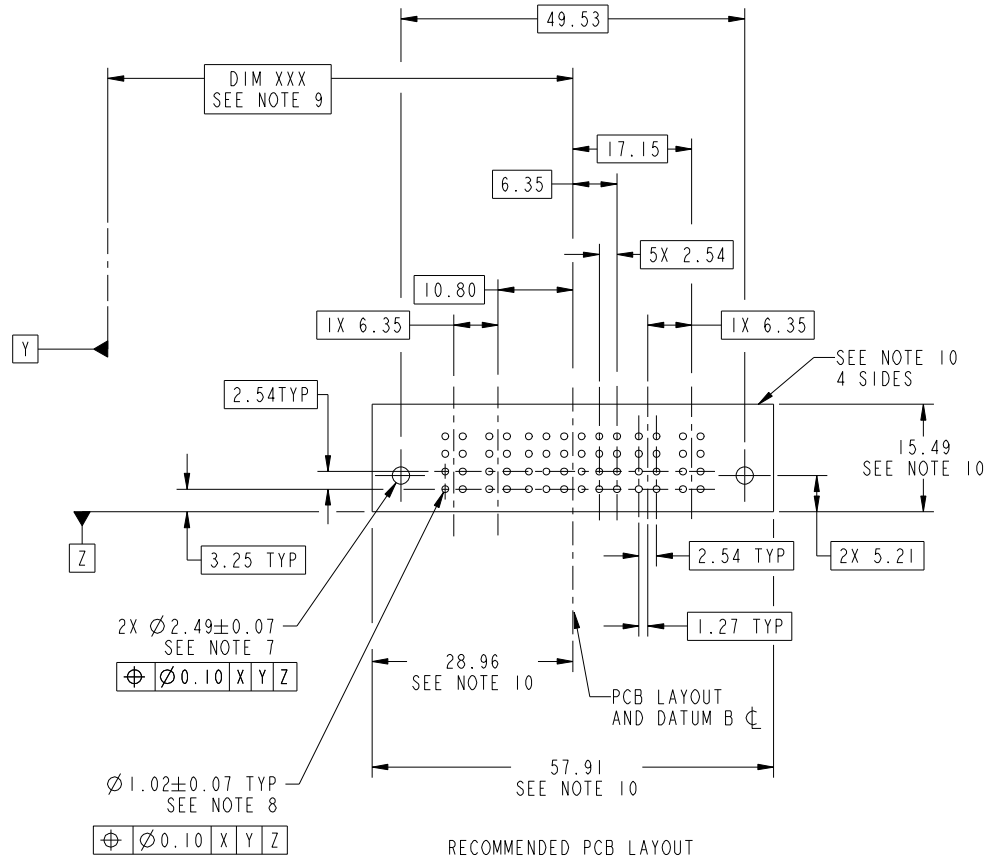
Pro/E

Tous droits strictement reserves. Reproduction ou communication a des tiers interdite sous quelque forme que ce soit sans autorisation écrite du propriétaire. Propriete de c FCI. Droits de reproduction FCI.



All rights strictly reserved. Reproduction or issue to third parties in any form whatever is not permitted without written authority from the proprietor. Property of FCI. Copyright FCI.

PRODUCT NUMBER
51750-099__
NOTE : 3



RECOMMENDED PCB LAYOUT

CONFIDENTIAL

mat'l code				SEE NOTE 2		tolerances unless otherwise specified		CUSTOMER		FCI www.fciconnect.com	
ltr	ecn no.	dr	date	linear	0.X ± 0.50	COPY		projection		title	
A					0.XX ± 0.25	MIM				2P + 24S + 2P VERTICAL PRESS FIT RECEPTACLE	
				angles	0.XXX ± 0.10	scale		product family		code	
				dr	0° + 2°	1:1		PwrBlade		213	
				enr	Anson Liu 02/26/10			size		sheet	
				chr	Jerome Chen 02/26/10			dwg no		3	
				appd	PM Zheng 02/26/10			A		51750-099	
					JOSEPH HSIA 02/26/10						
sheet index	revision sheet										

cage code 22526

Pro/E

Tous droits strictement reserves. Reproduction ou communication a des tiers interdite sous quelque forme que ce soit sans autorisation écrite du propriétaire. Propriete de c FCI. Droits de reproduction FCI.



All rights strictly reserved. Reproduction or issue to third parties in any form whatever is not permitted without written authority from the proprietor. Property of FCI. Copyright FCI.

PRODUCT NUMBER
51750-099__
NOTE : 3

NOTES:

1. DIMENSIONS AND TOLERANCES ARE IN ACCORDANCE WITH ASME Y14.5M, 1994 UNLESS OTHERWISE SPECIFIED.
- CONNECTOR NOTES:
2. HOUSING MATERIAL: UL 94 V-0 GLASS FILLED HIGH-TEMP THERMOPLASTIC
POWER CONTACT MATERIAL: COPPER ALLOY
SIGNAL PIN MATERIAL: COPPER ALLOY
3. PLATING SPEC
SEE ITEM 7 & 8 IN PRINT 10064183 FOR PLATING SPEC OF 51750-099 AND 51750-099LF RESPECTIVELY.
4. MANUFACTURER'S NAME, P/N, AND DATE CODE TO APPEAR ON THIS SURFACE.
5. PRODUCT SPECIFICATION GS-12-149.
APPLICATION SPECIFICATION BUS-20-067
- PCB - NOTES:
6. ALL HOLE DIAMETERS ARE FINISHED HOLE SIZE.
7. MOUNTING HOLES, WHERE APPLICABLE, ARE UNPLATED.
8. $\varnothing 1.151 \pm 0.025$ DRILLED HOLES PLATED WITH 0.008 MIN SnPb OVER 0.03 TO 0.08 Cu PLATING TO ACHIEVE $\varnothing 1.02 \pm 0.07$ HOLE.
9. "DIM XXX" TO BE DETERMINED BY THE CUSTOMER.
10. CONNECTOR KEEP-OUT ZONE.

CONFIDENTIAL

mat'l code		SEE NOTE 2		tolerances unless otherwise specified		CUSTOMER		www.fciconnect.com	
ltr	ecn no.	dr	date	linear	0.X ±0.50	COPY		title	
A					0.XX ±0.25	projection		2P + 24S + 2P	
				angles	0.XXX ±0.10			VERTICAL PRESS FIT RECEPTACLE	
				dr	0° +2°			product family PwrBlade code	
				enr	Anson Liu 02/26/10	size		213	
				chr	Jerome Chen 02/26/10	scale		sheet	
				appd	PM Zheng 02/26/10	1:1		4	
					JOSEPH HSIA 02/26/10	A		51750-099	
sheet index	revision sheet								

cage code 22526

Pro/E