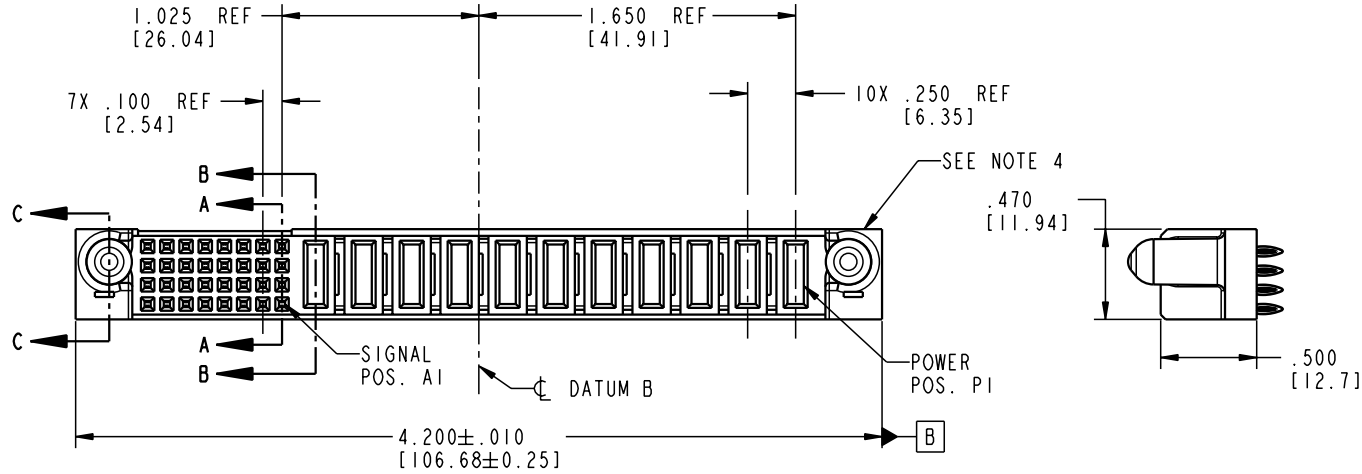


Tous droits strictement réservés. Reproduction ou communication o des liens interdite sous quelque forme que ce soit sans autorisation écrite du propriétaire. Propriété de c FCI. Droits de reproduction FCI.

All rights strictly reserved. Reproduction or issue to third parties in any form, whenever is not permitted without written authority from the proprietor. Property of FCI. Copyright FCI.

PRODUCT NO.	ROWS	SIGNAL								POWER																								
		E2	8	7	6	5	4	3	2	1	P11	P10	P9	P8	P7	P6	P5	P4	P3	P2	P1	E1												
51752-012	D C B A		F	F	F	F	F	F	F	F	F	F	F	F	F	F	F	F	F	F	F	PF	PC	PF	PC	PF	PC	PF	PC	PF	PC	PF	PC	



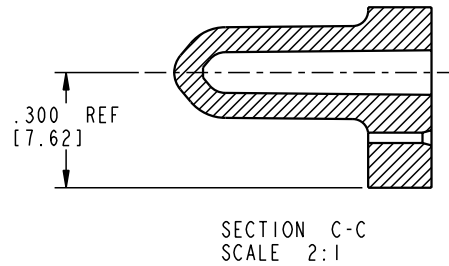
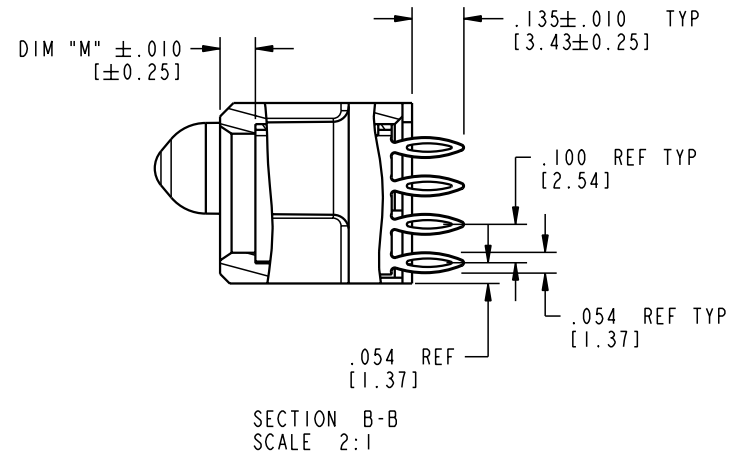
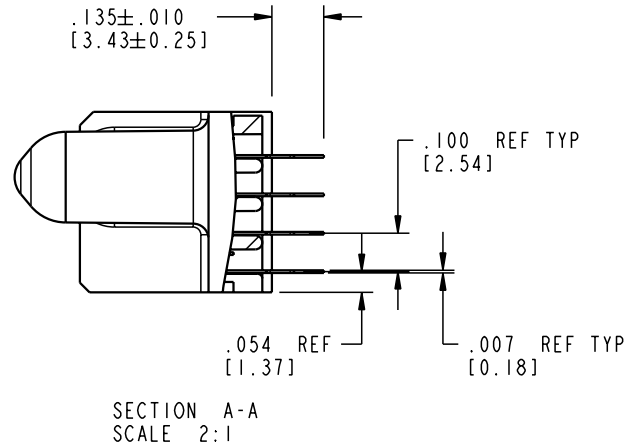
CODE	DIM "M" MATING LENGTH	CONTACT TYPE
F	N/A [N/A]	SIGNAL
PC	.042 [1.07]	POWER
PF	.092 [2.34]	POWER

mat'l code				SEE NOTE 2		tolerances unless otherwise specified		CUSTOMER		 www.fciconnect.com	
ltr	ecn no.	dr	date	linear	.XX±.01/0.X±0.3		COPY		 title IIP + 32S VERTICAL PRESS-FIT RECEPT product family PwrBlade code 213 size dwg no A 51752-012 sheet 1 of 4		
A	V04-0751	TAB	07/23/04		.XXX±.005/0.XX±0.13		projection				
					.XXX±.0020/0.XXX±0.051		 scale 1:1				
					° ± °						
				dr	T. BRUNGARD	07/23/04					
				engr	M. GRAY	07/23/04					
				chr	M. GRAY	07/23/04					
				appd	M. GRAY	07/23/04					
sheet index	revision sheet	A	A	A	A						
		1	2	3	4						

Tous droits strictement réservés. Reproduction ou communication o des tiers interdite sous quelque forme que ce soit sans autorisation écrite du propriétaire. Propriete de c FCI. Droits de reproduction FCI.

All rights strictly reserved. Reproduction or issue to third parties in any form, whatever is not permitted without written authority from the proprietor. Property of FCI. Copyright FCI.

PRODUCT NUMBER
51752-012



mat'l code				SEE NOTE 2		tolerances unless otherwise specified		CUSTOMER		 www.fciconnect.com	
ltr	ecn no.	dr	date	linear	.XX±.01/0.X±0.3		COPY		title		
A					.XXX±.005/0.XX±0.13		projection		IIP + 32S		
					.XXX±.0020/0.XXX±0.051				VERTICAL PRESS-FIT RECEIPT		
				angles	0° ± 2°		INCH/MM		product family		code
				dr	T. BRUNGARD	07/23/04	scale		PwrBlade		213
				engr	M. GRAY	07/23/04	1:1		size		sheet
				chr	M. GRAY	07/23/04			A		51752-012
				appd	M. GRAY	07/23/04					2 of 4
sheet index		revision sheet									

Pro/E

cage code 22526

PDM: Rev:A

STATUS: Released

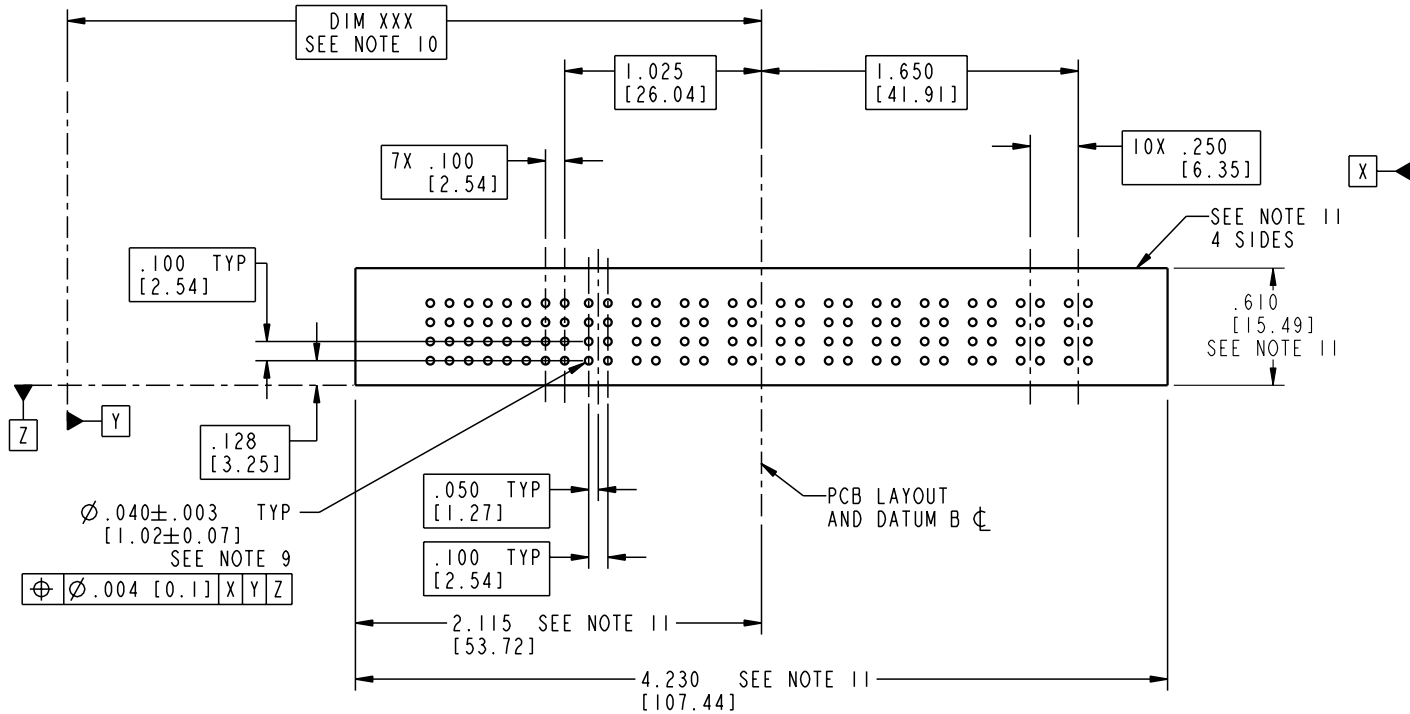
Printed: Dec 20, 2010


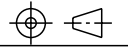
Tous droits strictement réservés. Reproduction ou communication o des tiers interdite sous quelque forme que ce soit sans autorisation écrite du propriétaire. Propriété de c FCI. Droits de reproduction FCI.

A FCI

All rights strictly reserved. Reproduction or issue to third parties in any form whatever is not permitted without written authority from the proprietor. Property of FCI. Copyright FCI.

PRODUCT NUMBER
51752-012



mat'l code				SEE NOTE 2		tolerances unless otherwise specified		CUSTOMER		 www.fciconnect.com	
ltr	ecn no.	dr	date	linear	.XX ± .01/0.X ± 0.3	projection	COPY		title		
A				angles	.XXX ± .005/0.XX ± 0.13		INCH/MM		IIP + 32S		
				dr	.XXX ± .0020/0.XXX ± 0.051	$0^\circ \pm 2^\circ$	scale		VERTICAL PRESS-FIT RECEIPT		
				enr	T. BRUNGARD 07/23/04		1:1		product family		code
				chr	M. GRAY 07/23/04				PwrBlade		213
				appd	M. GRAY 07/23/04				size		sheet
					M. GRAY 07/23/04				A 51752-012		3 of 4
sheet index	revision sheet										

Pro/E

cage code 22526

PDM: Rev:A

STATUS: Released

Printed: Dec 20, 2010

Tous droits strictement réservés. Reproduction ou communication o des tiers interdite sous quelque forme que ce soit sans autorisation écrite du propriétaire. Propriete de c FCI. Droits de reproduction FCI.

A
FCI

All rights strictly reserved. Reproduction or issue to third parties in any form, whatever is not permitted without written authority from the proprietor. Property of FCI. Copyright FCI.

B

PRODUCT NUMBER
51752-012

NOTES:

1. DIMENSIONS AND TOLERANCES ARE IN ACCORDANCE WITH ASME Y14.5M, 1994 UNLESS OTHERWISE SPECIFIED.

CONNECTOR NOTES:

2 HOUSING MATERIAL: UL 94 V-0 GLASS FILLED

HIGH-TEMP THERMOPLASTIC
POWER CONTACT MATERIAL: COPPER ALLOY
SIGNAL PIN MATERIAL: COPPER ALLOY

3. PLATING:
SIGNAL PINS: 30u"/0.76um Au OVER 50u"/1.27um Ni
POWER CONTACTS: 50u"/1.27um Ni UNDER ALL WITH 30u"/0.76um Au ON CONTACT AREA AND SnPb ON PCB INTERFACE

4 MANUFACTURER'S NAME, P/N, AND DATE CODE TO APPEAR ON THIS SURFACE.

5. PRODUCT SPECIFICATION GS-12-149.
APPLICATION SPECIFICATION BUS-20-067.

6. PACKAGED IN TRAYS.

PCB NOTES:


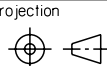
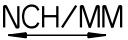
7. ALL HOLE DIAMETERS ARE FINISHED HOLE SIZE.

8 MOUNTING HOLES, WHERE APPLICABLE, ARE UNPLATED.

9 $\varnothing .0453 \pm .0010$ [1.151 \pm 0.025] DRILLED HOLES PLATED WITH .0003 [0.008] MIN SnPb OVER .001 [0.03] TO .003 [0.08] Cu PLATING TO ACHIEVE $\varnothing .040 \pm .003$ [1.02 \pm .07] HOLE.

10 "DIM XXX" TO BE DETERMINED BY THE CUSTOMER.

11 CONNECTOR KEEP-OUT ZONE.

mat'l code				SEE NOTE 2		tolerances unless otherwise specified		CUSTOMER		 FCI www.fciconnect.com	
ltr	ecn no.	dr	date	linear	.XX±.01/0.X±0.3		COPY		 title IIP + 32S VERTICAL PRESS-FIT RECEPT		
A					.XXX±.005/0.XX±0.13		projection				
					angles	.XXX±.0020/0.XXX±0.051		 INCH/MM scale 1:1			
				dr	T. BRUNGARD	07/23/04	product family		PwrBlade	code	213
				enr	M. GRAY	07/23/04	size		dwg no	4 of 4	
				chr	M. GRAY	07/23/04	A		51752-012		sheet
				appd	M. GRAY	07/23/04					4 of 4
sheet index		revision sheet									

A

B

1 | 2

3 |

4

1 | 2

Pro/E

3 |

cage code 22526

4