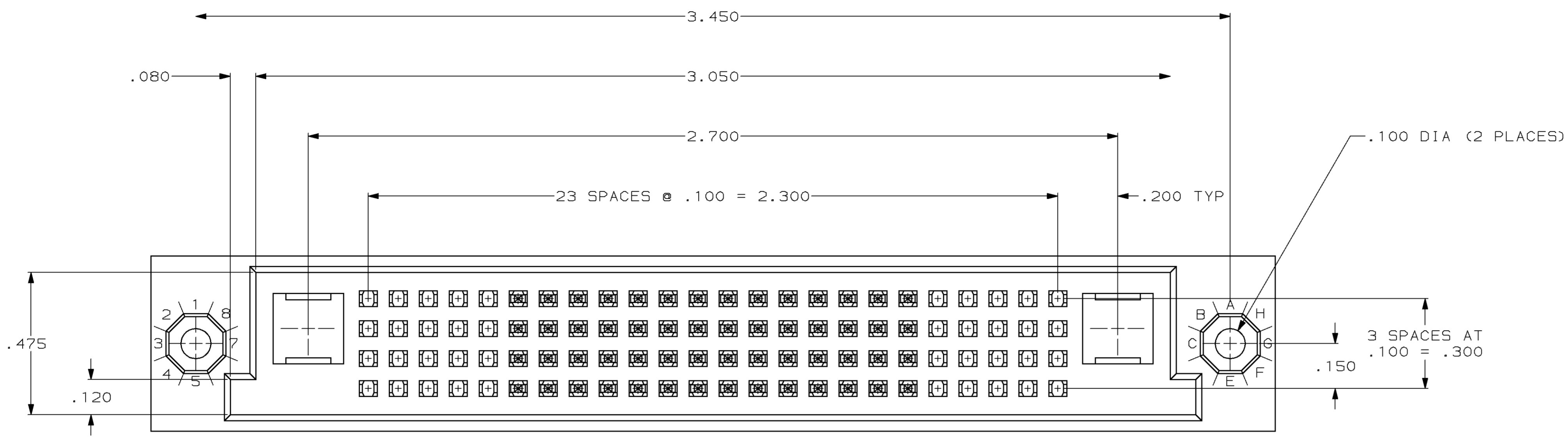
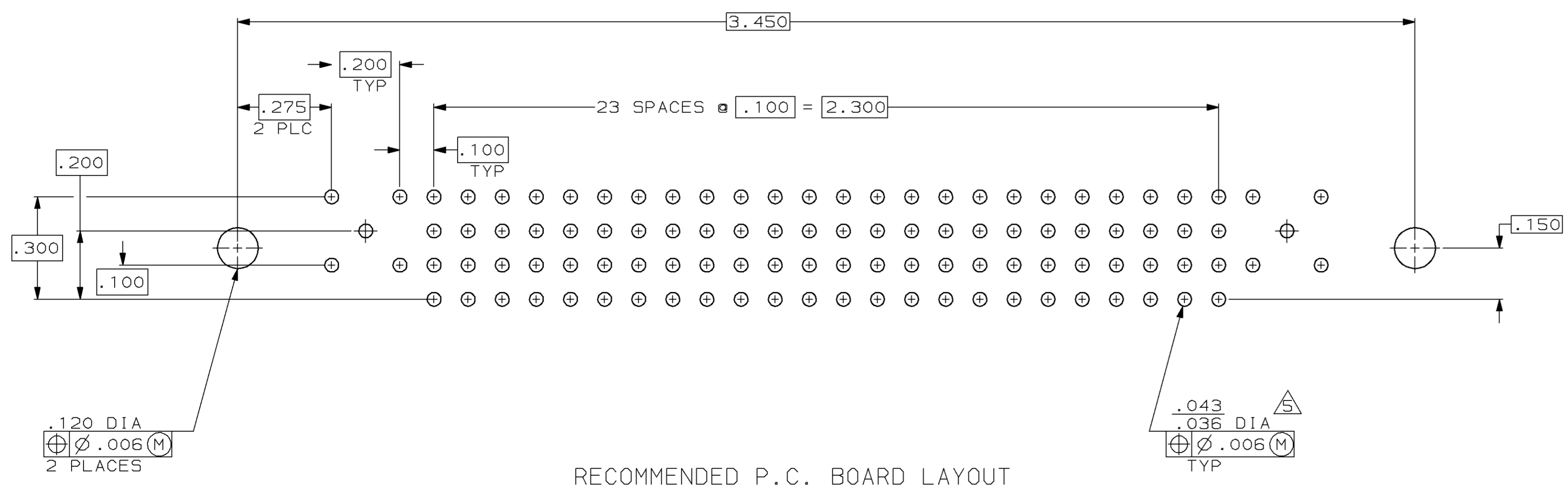
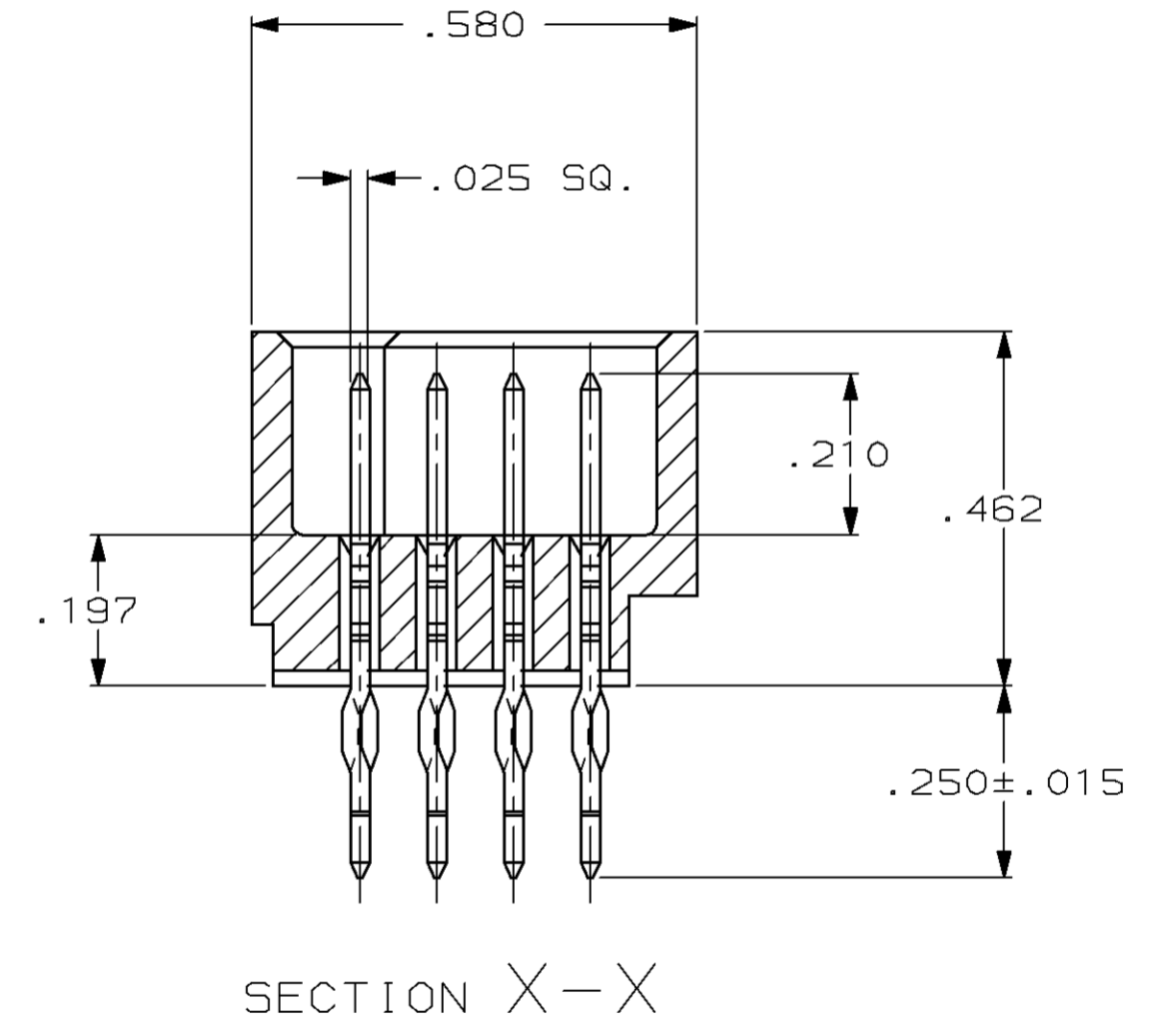
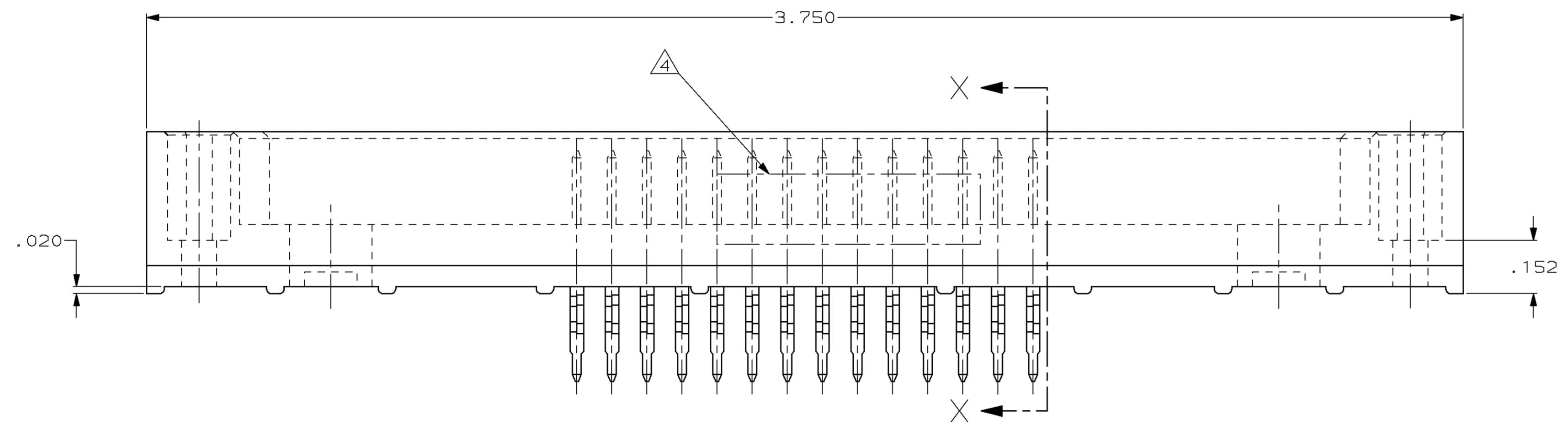


DRAWING MADE IN THIRD ANGLE PROJECTION
 THIS DRAWING IS UNPUBLISHED. RELEASED FOR PUBLICATION
 © COPYRIGHT 19 BY AMP INCORPORATED, HARRISBURG, PA. ALL INTERNATIONAL RIGHTS RESERVED. AMP PRODUCTS MAY BE COVERED BY U.S. AND FOREIGN PATENTS AND/OR PATENTS PENDING.

		REVISIONS				
P	F	ZONE	LTR	DESCRIPTION	DATE	APPROVED
				DRAWN PER PPR. 91-5412-010	02/17/92	TH
			A	PER EC 0010-1248-95	T.S. 10-31-95	GS



- △ HOUSING MATERIAL: THERMOPLASTIC, COLOR-NATURAL (BROWN).
- △ CONTACT MATERIAL: COPPER ALLOY.
- △ CONTACT FINISH: .000030 GOLD IN CONTACT AREA, OVER .000050/.000100 NICKEL UNDERPLATE. TIN-LEAD PLATED POSTS.
- △ 'AMP', PART NO. & DATE CODE MARKED IN THIS APPROX AREA.
- △ DRILL SIZE .0453±.0010 DIA. PLATED THRU HOLE, WITH .0010/.00030 COPPER, WITH .00030 TIN-LEAD. FINISHED HOLE AFTER PLATING .037/.043 AND AFTER REFLOW .036/.043.



UNLESS OTHERWISE SPECIFIED DIMENSIONS ARE IN INCHES MM		CONTRACT NO	
TOLERANCES ON:	DECIMALS ±.005	DR 2/17/92	T.HOFFMAN
ANGLES	±	CHK 02/19/92	J.D.WEARY
MATERIAL		APPD 02/19/92	J.D.WEARY
FINISH		APPD 02/19/92	J.D.WEARY
		DSGN APPD	
		OTHER APPD	

AS SHOWN		650801-1
DESCRIPTION		PART NO
AMP AMP INCORPORATED Harrisburg, Pa.		
NAME		
H.D.I. SERIES 100 PIN ASSEMBLY, 4 ROW 96 POSITION, SELECT LOADED 57 SIG., 2 COAX PORTS		
SIZE	FSCM NO	DRAWING NO
D	00779	650801
SCALE	4:1	SHEET 1 OF 1