

4

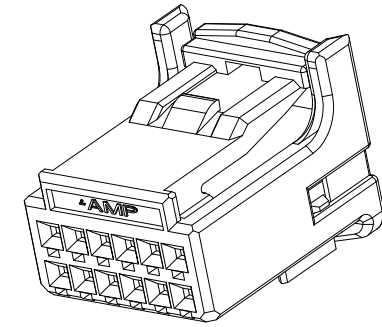
3

2

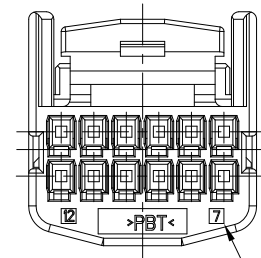
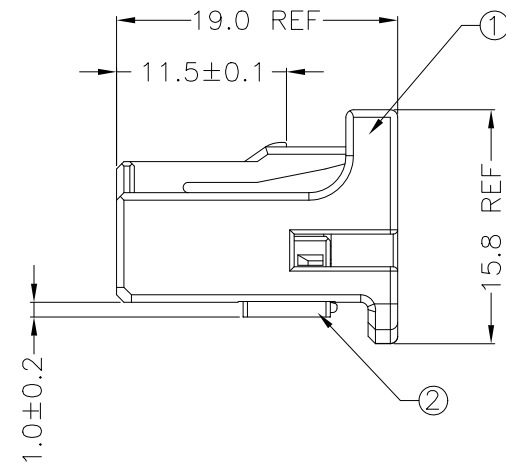
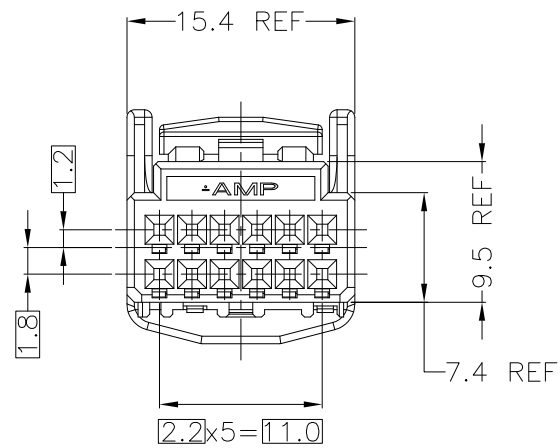
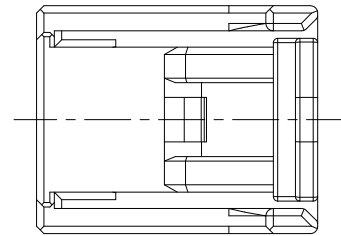
1

THIS DRAWING IS UNPUBLISHED. RELEASED FOR PUBLICATION  
COPYRIGHT BY TYCO ELECTRONICS CORPORATION, ALL RIGHTS RESERVED.

LOC	DIST	REVISIONS					
		P	LTR	DESCRIPTION	DATE	DWN	APVD
DS	-		O	RELEASED(FC00-0092-02)	18,JUN,'02	HS	CS
			A	REVISED(ECR-06-022215)	26,JUN,'07	SW	JK



3-D VIEW  
(SCALE 2:1)



CIRCUIT NUMBER

NOTES;

1. RETAINER SHOULD BE SET TO THE PRE-ASSEMBLY POSITION WITHIN THE PLUG HOUSING WHEN SHIPPED TO THE CUSTOMER
2. THE RETENTION LATCH OF THE RETAINER MUST BE OUT SIDE OF PLUG HOUSING WHEN PRE-ASSEMBLY
3. RETAINER RETENTION FORCE FROM HOUSING; 20N MIN.
4. PART NUMBER OF CAP HOUSING : 1318772
5. APPLIED TERMINAL :

PART NO.	WIRE RANGE
1123343-1	0.3~0.5SQ

NO	COLOR	MATERIAL	DESCRIPTION	Q'TY	REV
2	WHITE	PBT	DBL HSG	1	1
1	Ⓐ BLACK	PBT	PLUG HSG	1	
	WHITE	PBT	PLUG HSG		1

<small>THIS DRAWING IS A CONTROLLED DOCUMENT FOR TYCO ELECTRONICS CORPORATION IT IS SUBJECT TO CHANGE AND THE CONTROLLING ENGINEERING ORGANIZATION SHOULD BE CONTACTED FOR THE LATEST REVISION.</small>		DWN : SW NA CHK : YM CHOI APVD : JK SONG PRODUCT SPEC : ----- APPLICATION SPEC : 114-5250				AMP KOREA, kyungsan, korea	
DIMENSIONS: mm 		TOLERANCES UNLESS OTHERWISE SPECIFIED: 0 <XX<10 ± 0.2 10<XX<30 ± 0.25 30<XX ± 0.3 ANGLES ± 3°		NAME 025 12P PLUG ASSEMBLY		SIZE CAGE CODE DRAWING NO RESTRICTED TO A3 00779 C- 936348 -	
MATERIAL SEE TABLE		FINISH : ----- WEIGHT : 2.1g		CUSTOMER DRAWING		SCALE : 2:1 SHEET 1 OF 1 REV A	