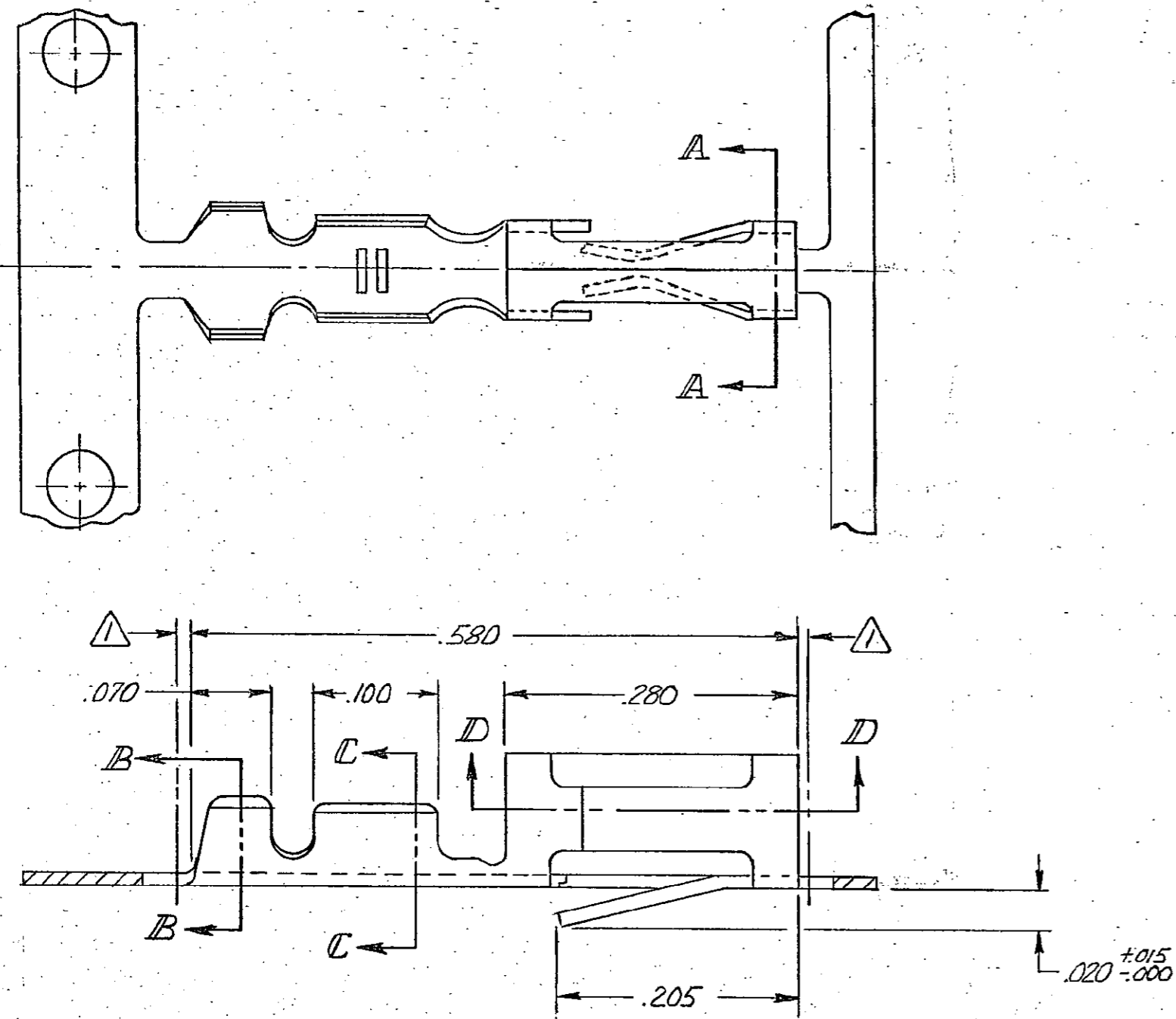
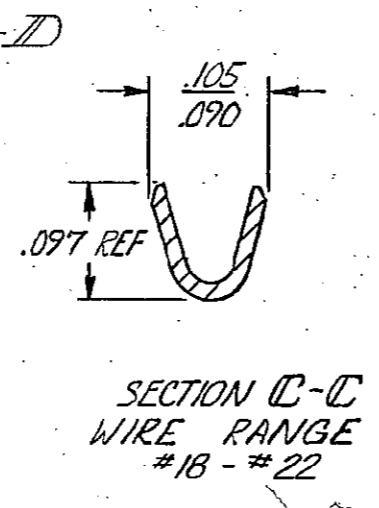
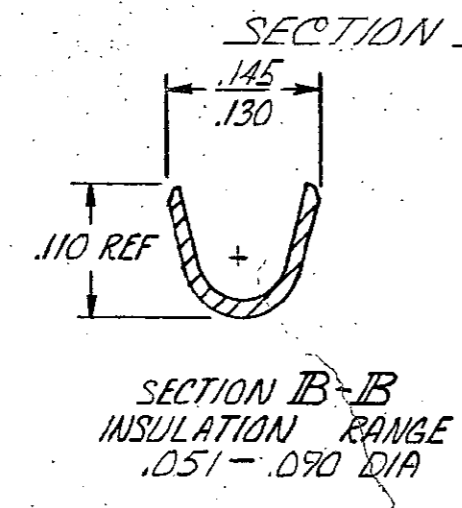
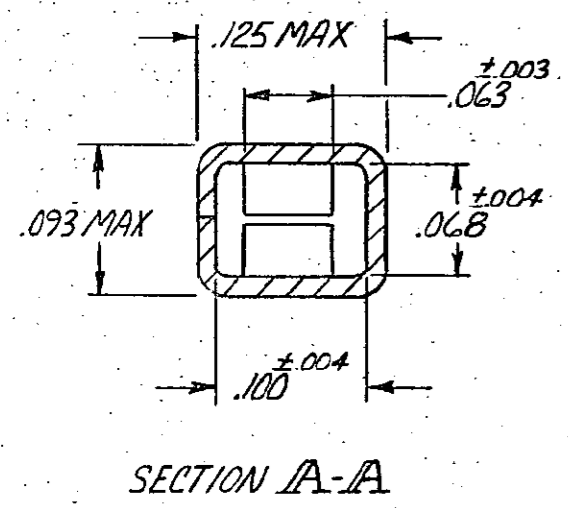
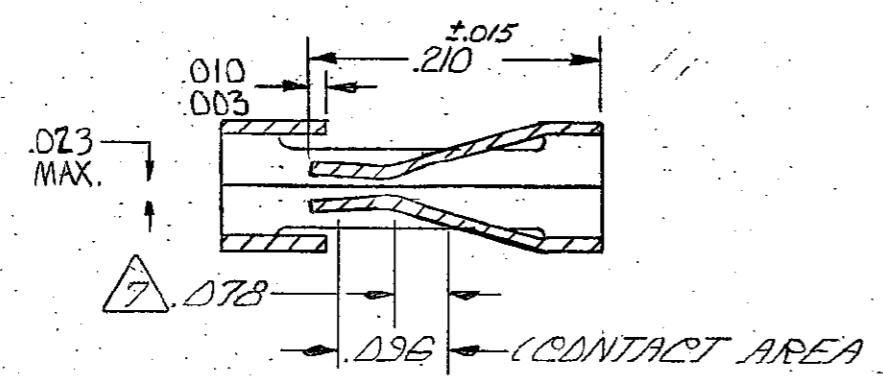
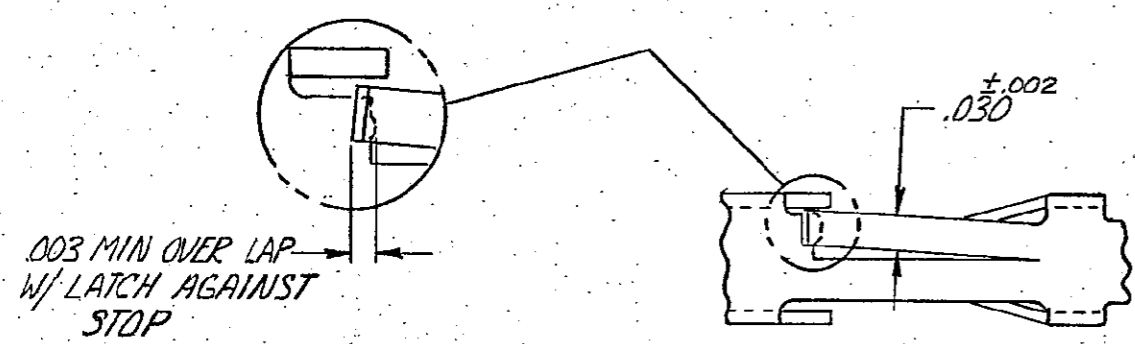


© COPYRIGHT

| REVISIONS |   |      |     |                           |         |          |
|-----------|---|------|-----|---------------------------|---------|----------|
| P         | F | ZONE | LTR | DESCRIPTION               | DATE    | APPROVED |
|           |   |      | K1  | REVISED PER ECO-11-005294 | 06APR11 | HMR      |



- ① .010 MAX CUT-OFF TAB FOR LOOSE PIECE.
- ② GOLD FLASH OVER .000050 NICKEL ENTIRE CONTACT, .000015 GOLD ON CONTACT AREA
- ③ GOLD FLASH OVER .000050 NICKEL ENTIRE CONTACT .000030 GOLD ON CONTACT AREA.
- ④ .000016 MIN TIN.
- ⑤ LUBRICATED
- ⑥ .000100-.000200 BRIGHT TIN OVER .000030 NICKEL.
- ⑦ POINT OF MEASUREMENT FOR PLATING THICKNESS.
- ⑧ .000015 GOLD ON CONTACT AREA, .000050-.000100 BRIGHT TIN-LEAD ON TERMINATION AREA, ALL OVER .000050 NICKEL ENTIRE TERMINAL.
- ⑨ .000030 GOLD ON CONTACT AREA, .000050-.000100 BRIGHT TIN-LEAD ON TERMINATION AREA, ALL OVER .000050 NICKEL ENTIRE TERMINAL.
- ⑩ OBSOLETE PART NUMBER.



|        |                 |          |             |   |          |
|--------|-----------------|----------|-------------|---|----------|
| ⑨      | ⑩               | 102104-6 | 102100-9/10 |   |          |
| ⑧      | ⑩               | 102104-5 | 102100-8/10 |   |          |
| ⑥      | ⑤               | ⑩        | 102104-4    | ⑩ | 102100-6 |
| ④      | ⑤               | 102104-3 | 102100-5    |   |          |
| ③      | 102104-2        | 102100-2 |             |   |          |
| ②      | 102104-1        | 102100-1 |             |   |          |
| FINISH | LOOSE PIECE P/N | PART NO  |             |   |          |

|   |   |  |                        |
|---|---|--|------------------------|
| UNLESS OTHERWISE SPECIFIED DIMENSIONS ARE IN INCHES.<br>TOLERANCES ON:<br>DECIMALS $\pm .005$<br>ANGLES $\pm$ | CONTRACT NO   | TE Connectivity<br>NAME<br>CONTACT, MOD I, RECEPTACLE, CRIMP SNAP-IN, HIGH PRESSURE, #18 - #22AWG, SIDE FEED |                        |
|   | DR<br>R. Bedwin 4/12/78<br>CHK<br>J. White 4-27-78<br>APPD<br>D. Zimmerman 4/28/78<br>APPD<br>R. Smith 5/1/78 |  |                        |
| FINISH<br>SEE TABLE   | OTHER APPD  | SIZE<br>C  | CODE IDENT NO<br>00779 |
|   |   | DRAWING NO<br>102100   | SHEET                  |

CUSTOMER DRAWING