

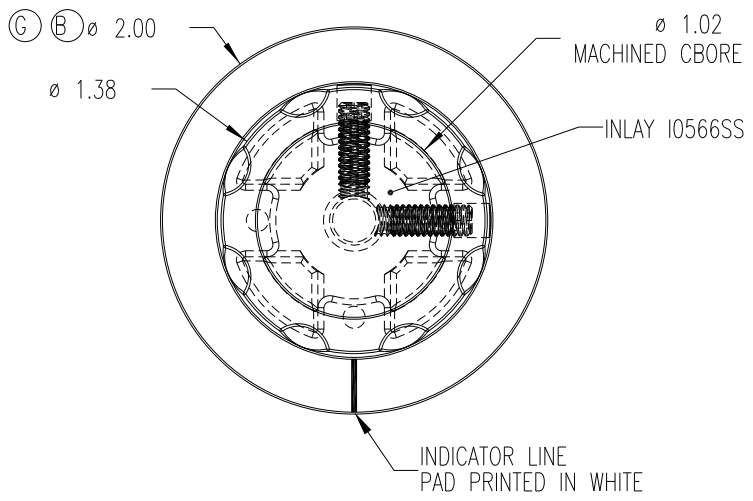
PART NAME: KNOB SCALE: 1:1 DATE: 1/21/97 DR. BY: HD



P/N 1940BE

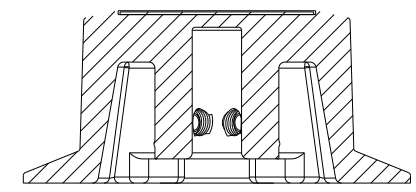
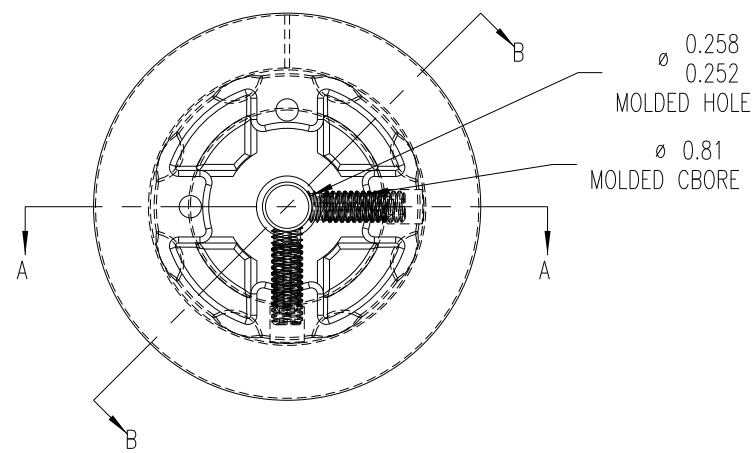
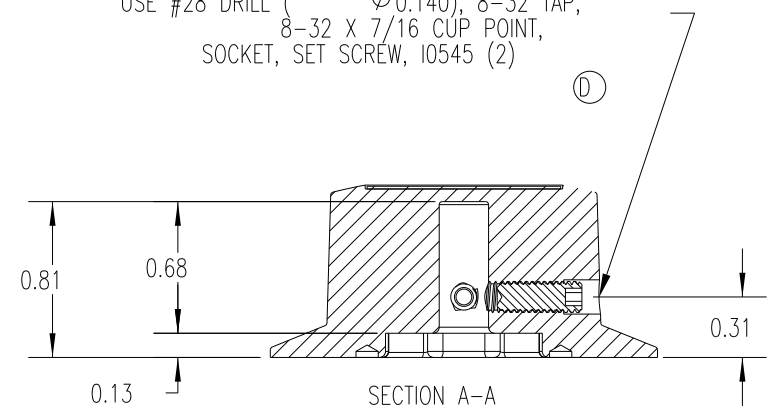
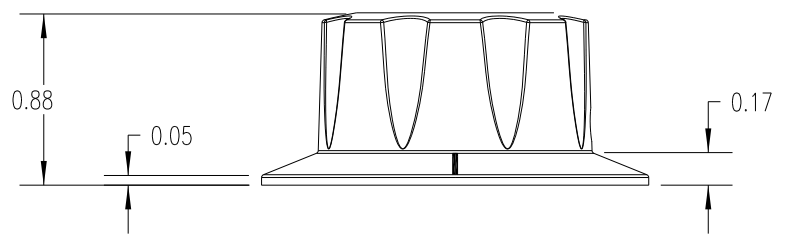
THIS DRAWING IS THE PROPERTY OF DAVIES MOLDING COMPANY, IS SUBMITTED SOLELY AS A DESIGN OR ENGINEERING PROJECT. WE ACCEPT NO RESPONSIBILITY WHATSOEVER FOR THE PRACTICAL APPLICATION OF THE PIECES MADE TO THIS DESIGN.

BASE PART	1940-01
INLAY	I0566SS
SET SCREW	I0545



ⓔ PACK IN EGG CRATE CONTAINERS

ⓕ  $\square \phi 0.177 \nabla 3/16$  (#16 DRILL)  
 USE #28 DRILL ( $\phi 0.140$ ), 8-32 TAP,  
 8-32 X 7/16 CUP POINT,  
 SOCKET, SET SCREW, I0545 (2)



ⓓ MATERIAL: 04311 PHENOLIC (B41)  
 COLOR: BLACK

H	WAS 02511 PHENOLIC (B11)	JAM	7/16/08
G	WAS $\phi 2.03$ , REDRAW	JAM	2/6/08
F	WAS $\square \phi 3/16$	DS	3/8/07
E	ADD PACKING INFORMATION	DD	4/7/05
D	WAS I0022	TS	5/31/01
-	UPDATED/HAD TOOLBOX	ST	12/5/00
C	WAS I0454	ST	12/5/00
-	CLEANED DRAWING	JAM	10/23/00
B	WAS $\phi 2.00$	TL	9/24/99
A	WAS I0022	TS	9/24/98

TOLERANCES: UNLESS OTHERWISE SPECIFIED	DO NOT SCALE DRAWING
DECIMALS: X.XXX ± .005 X.XX ± .015	MM: X.XX ± 0.15MM X.X ± 0.4MM
FRACTIONS ± 1/64	ANG. ± 1°

CHANGES