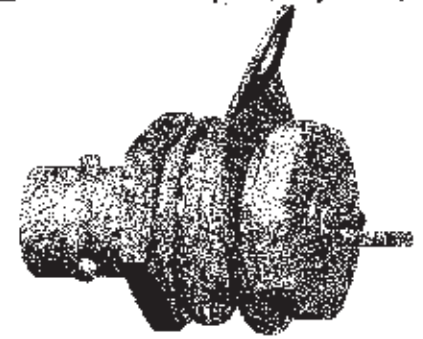
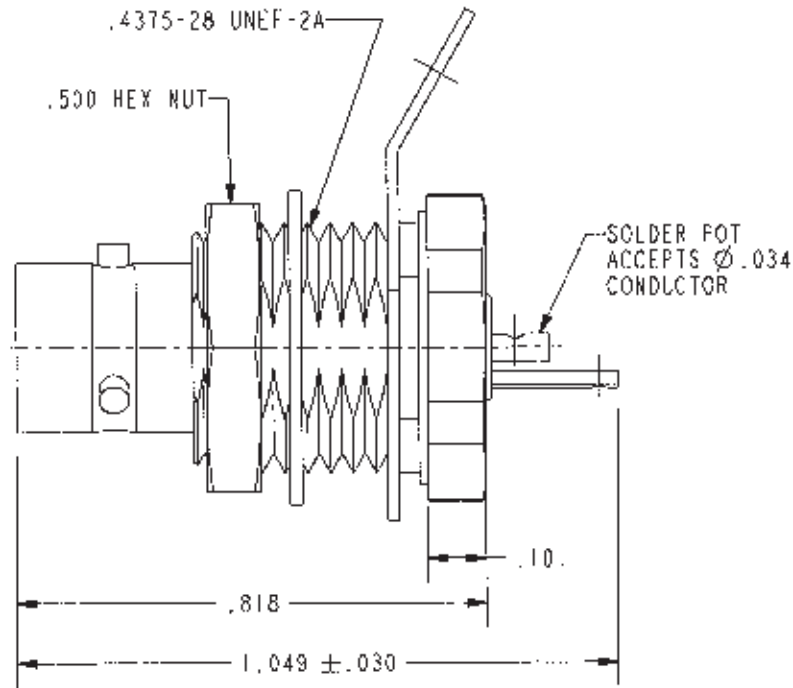
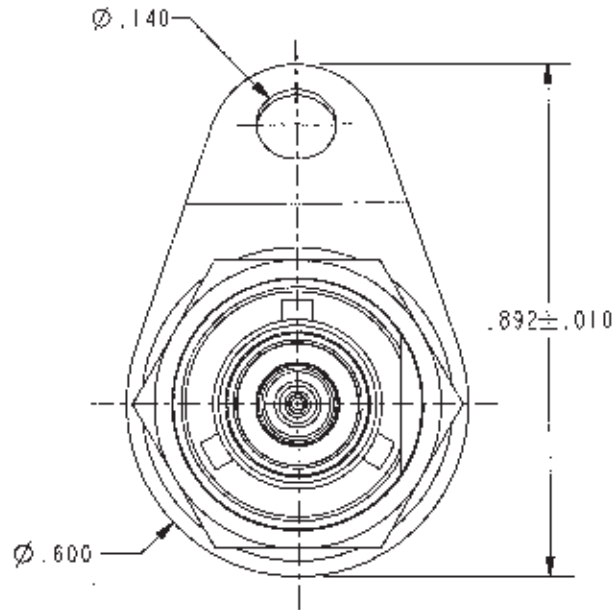


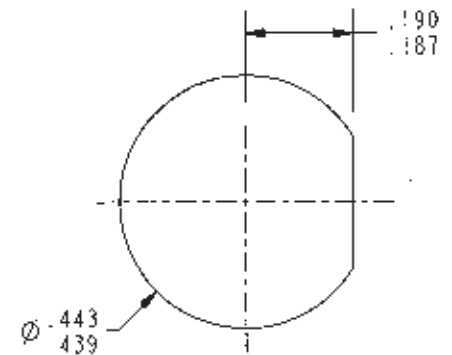
DATA CONTAINED IN THIS DOCUMENT IS PROPRIETARY TO TROMPETER ELECTRONICS INC. AND SHALL NOT BE DISCLOSED, COPIED OR USED FOR PROCUREMENT OR MANUFACTURE WITHOUT EXPRESS WRITTEN PERMISSION.

**REVISIONS**

REV	DESCRIPTIONS	DATE	APPROVED
G	REVISED PER ECO # 16699	9/22/09	Zm



SCALE 2/1




RECOMMENDED PANEL CUTOUT SCALE 3/1

**RED INDICATES ORIGINAL**

3. MAXIMUM PANEL THICKNESS .250
2. FINISH: TFS-1A (NICKEL)
1. SUBMIN.ATURE TWINAX/TRIAX REAR MOUNT SOLDER POT BULKHEAD RECEPTACLE

NOTES: UNLESS OTHERWISE SPECIFIED.

INTERPRET DRAWING PER MIL-STD-100. DIMENSIONS ARE IN INCHES AND INCLUDE FINISH THICKNESS UNLESS OTHERWISE SPECIFIED.		FOL: UNLESS SPECIFIED. .XX ± .02 .XXX ± .010 ANGLE ± 1°		 a cinch connectivity solutions brand	
DESIGNED BY J. CARPENTER 06-30-08	MATERIAL	TITLE: BJ150			
CHECKED BY M.J. 9-16-09	FINISH	SIZE A	CASE CODE 14949	DRAWING NO. 3-0259	REV. G
APPROVED BY Zm 9/21/09	DATE 9/21/09	SCALE 3/1	DATE 2-1-82	SHEET 10	
NEXT ASSY	PART FILE NO. 3-0259	DO NOT SCALE DIMS			